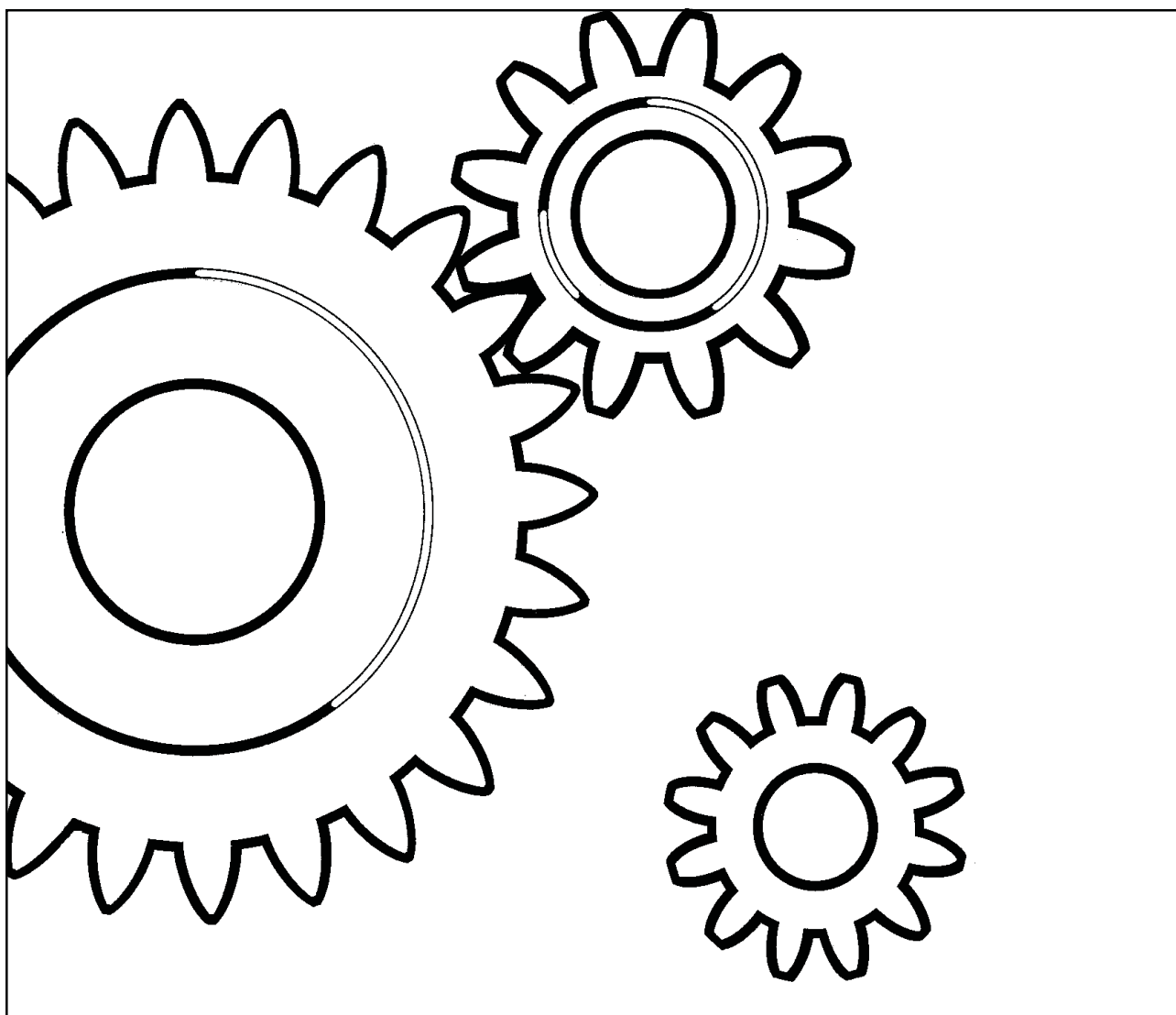


DYNAPAC LG500 SPARE PARTS CATALOGUE

SLG500-3EN1



DYNAPAC

Part of the Atlas Copco Group

Atlas Copco Construction Tools AB

SE-105 23 Stockholm, Sweden

Forward/Reverse Vibratory Plate Compactor LG500

Spare Parts Catalogue

SLG500-3EN1

Valid from serial number:

**35007918*-*

Engines:

Hatz 1D81

Published catalogue issues valid for these plates:

<i>Catalogue</i>	<i>Issue date</i>	<i>Replaced by</i>
SLG500-3EN1	2010 - 04	



RESERVDLSBESTÄLLNING

Följande uppgifter ska lämnas vid beställning av reservdelar för att undvika leveransfel:

1. Maskintyp.
2. Vältensserienummer.
3. Antal av önskad reservdel.
4. Reserdelens artikelnummer.
5. Reservdelens benämning.
6. Måttuppgifter vid beställning av metervara.

ORDERING SPARE PARTS

To avoid errors in delivery, please give the following information when ordering spare parts:

1. Type of machine.
2. Roller serial number.
3. Quantity required.
4. Part number.
5. Parts denomination.
6. Dimensions when ordering per length.

ERSATZTEILBESTELLUNG

Zur Vermeidung von Fehllieferungen sind bei der Bestellung von Ersatzteilen folgende Angaben zu machen:

1. Maschinentyp.
2. Herstellungsnummer.
3. Bestellmenge. (Quantity)
4. Ersatzteilnummer. (Part N^o)
5. Ersatzteilbenennung. (Denomination)
6. Massangaben bei Bestellung von Meterware.

ORDINI DI RICAMBI

Per evitare errori nelle consegne di ricambi, Vi preghiamo di comunicarci le seguenti informazioni al momento dell'ordinazione:

1. Tipo di macchina.
2. Numero di serie della macchina.
3. Quantità dei pezzi desiderati. (Quantity)
4. Numero di codice del pezzo. (Part N^o)
5. Descrizione del pezzo di ricambio. (Denomination)
6. Misura, in caso di ordine per metro.

PEDIDO DE RECAMBIOS

Para evitar errores en las entregas, deberán indicarse los siguientes datos al hacer un pedido de recambios:

1. Tipo de máquina.
2. Número de serie.
3. Cantidad de piezas deseadas. (Quantity)
4. Número de artículo de la pieza de recambio. (Part N^o)
5. Denominación de la pieza. (Denomination)
6. Indíquese la medida al solicitar un artículo que se expide por metros.

COMMANDE DE PIÈCES DE RECHANGE

Les indications suivantes doivent être fournies lors de la commande de pièces de rechange, afin d'éviter toute erreur de livraison:

1. Type de machine.
2. Numéro de série.
3. Quantité désirée de pièce de rechange. (Quantity)
4. Numéro de la pièce de rechange. (Part N^o)
5. Dénomination de la pièce de rechange. (Denomination)
6. Longueur en cas de commande au mètre.

YOUR AGENT/DEALER:

DYNAPAC

Text pages

The text pages is structured as the picture on the right.

1. This is the remarks for specific items and the descriptions of the remarks is at the bottom of the parts list.

2. Parts indicated by a dot and moved to the right are included when buying the assembled unit above.

3. Spare parts and service code for a specific part, mainly for internal use at Dynapac. "A" = Service part, "B" = Fast moving part, "C" = Suggested exchanged part and "D" = Regular spare part.

DYNAPAC				Metso Dynapac AB	
Cooling system					
Ref. No.	Part No.	Rem.	Qty	Description	Code
1	223047		1	Water cooler	③ C
2	935852		1	Radiator cap	D
3	935851	①	1	② Cock	
4	373263	A	1	Radiator hose	D
5	313009		6	Clamp	
6	205058	B	1XL	Rubber clutch	
7	373261	C	1	Radiator hose	D
8			1	Oil cooler	D
9	223289		1	Plate	
10	902166	D	1XL	Edge trim	
11	223287	E	1	Holder	
12	223288	F	1	Holder	
13	908168		1	Fan guard	
14	908170		1	Fan shroud	
15	908171		2	Mounting bar	
16	908169		1	Fan guard	
17	500021		14	Screw	
18	902286		14	Nut	
19	600006		14	Washer	
20	313102		2	Cable strap	

A) Upper
 B) L=060MM
 C) Lower
 D) L=2280MM
 E) Left
 F) Right

Changes

PARTS INFO	SERVICE INFO	GROUP	PAGE	NOTES

Notes

PÄRMETIKETT

För att undvika fel vid reservdelsbeställning finns här nedan två etiketter som passar i fickorna på pärmarnas ryggar. På dessa kan man se från vilket vältnummer av aktuell maskin reservdelskatalogen gäller. Gör så här:

1. Tag denna sida ur pärmen.
2. Klipp ut etiketten till **VÄNSTER** (1) och sätt in den i fickan på **DENNA** pärmens rygg.
3. Finns det en etikett till **HÖGER** (2), kan denna användas på pärmen för **FÖREGÅENDE** utgåva av denna katalog.
4. Kasta detta papper.

KATALOG-BESCHRIFTUNG

Zur Vermeidung von Fehlern bei der Ersatzteilbestellung benutzen Sie bitte die unteren Beschriftungen, um die Kataloge auf der Rückseite zu kennzeichnen. Auf der Beschriftung ist angegeben, für welche Maschinennummern der jeweilige Katalog gültig ist. Ablauf:

1. Nehmen Sie dieses Blatt aus dem Katalog.
2. Schneiden Sie die **LINKE** Beschriftung (1) aus. Schieben Sie die Beschriftung in die tasche auf **DEM** Katalogrücke.
3. Sollte die Beschriftung unten **RECHTS** (2) mitgeliefert werden, kennzeichnen Sie damit bitte die **ÄLTERE** Ausführung dieses Kataloges.
4. Den Rest dieses Blattes bitte vernichten.

ETIQUETA PARA LA CARPETA

Para evitar errores al pedir repuestos utilicen las etiquetas abajo descritas para identificar los catálogos en la parte trasera de la carpeta. En la etiqueta se ven los números de referencia de la serie para la cual es válido el catálogo. Instrucciones:

1. Quitar esta página de la carpeta.
2. Corta la etiqueta **IZQUIERDA** (1) y ponerla est **ESTA** carpeta en la parte trasera.
3. Si hay una etiqueta en la parte **DERECHA** (2) se puede utilizar en la carpeta para el catálogo que **PRECEDE** a esta.
4. Tirar esta hoja.

BINDER LABEL

To avoid errors when ordering spare parts use the labels below to identify the catalogues on the back of the binder. The label contain the serial number range for which the catalogue is valid. Do like this:

1. Remove this page from the binder.
2. Cut out the **LEFT** label (1) and put it on **THIS** binders back.
3. If there is a label to the **RIGHT** (2), it can be used on the binder for **PRECEDING** issue of this catalogue.
4. Throw away this paper.

ETICHETTAPOSTASULRACCOGLITORE

Per evitare errori quando ordinate pezzi di ricambio, usate le etichette in calce che servono ad identificare i cataloghi sul retro del raccoglitore. L'etichetta indica il numero di matricola delle macchine prese in considerazione nel catalogo.

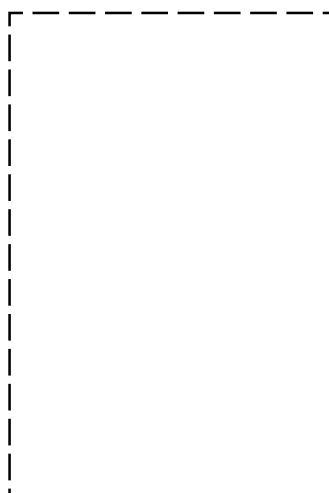
1. Rimuovete questa pagina dal raccoglitore.
2. Ritagliate l'etichetta posta a **SINISTRA** (1) e ponetela sul retro **DEL** raccoglitore.
3. Se trovate anche un'etichetta sulla **DESTRA** (2), ritagliatela e ponetela sul raccoglitore relativo alla **PRECEDENTE** edizione del catalogo.
4. Distruggete questo foglio.

ETIQUETAGE DU CATALOGUE

Afin d'éviter des erreurs lors de commandes de pièces de rechange, nous vous conseillons d'apposer les marquages ci-dessous à l'arrière du classeur, pour identifier les catalogues. Ce marquage indique les numéros de série pour lesquels le catalogue est adapté. Il convient de procéder de la façon suivante:

1. Retirez cette page du classeur.
2. Découpez l'étiquette de **GAUCHE** (1), et apposez-la à l'arrière de **CE** catalogue.
3. Si il y a une étiquette à **DROITE** (2), vous pourrez l'apposer sur le classeur de l'edition **PRECEDENTE** du catalogue.
4. Détruire cetta feuille.

1.



LG500 SN 35007918-	2
Ground plate	4
Ground plate for extension plates and frame	6
Ground plate and eccentric element	8
Engine plate and frame	10
V-belt cover	12
Option	14
Eccentric element	16
Eccentric element	18
Piston, cpl	20
Engine and engine spacer installation	22
Engine Hatz 1D81Z	24
Engine spacer installation	28
Power transmission	30
Clutch	32
Belt tightener	34
Hydraulic system	36
Hydraulic system	38
Hydraulic tank	40
Hydraulic pump installation	42
Electrical equipment	44
Control panel	46
Battery and battery box	48
Handle and controls	50
Handle	52
Throttle control	54
Decals and equipment	56
Decals and equipment	58



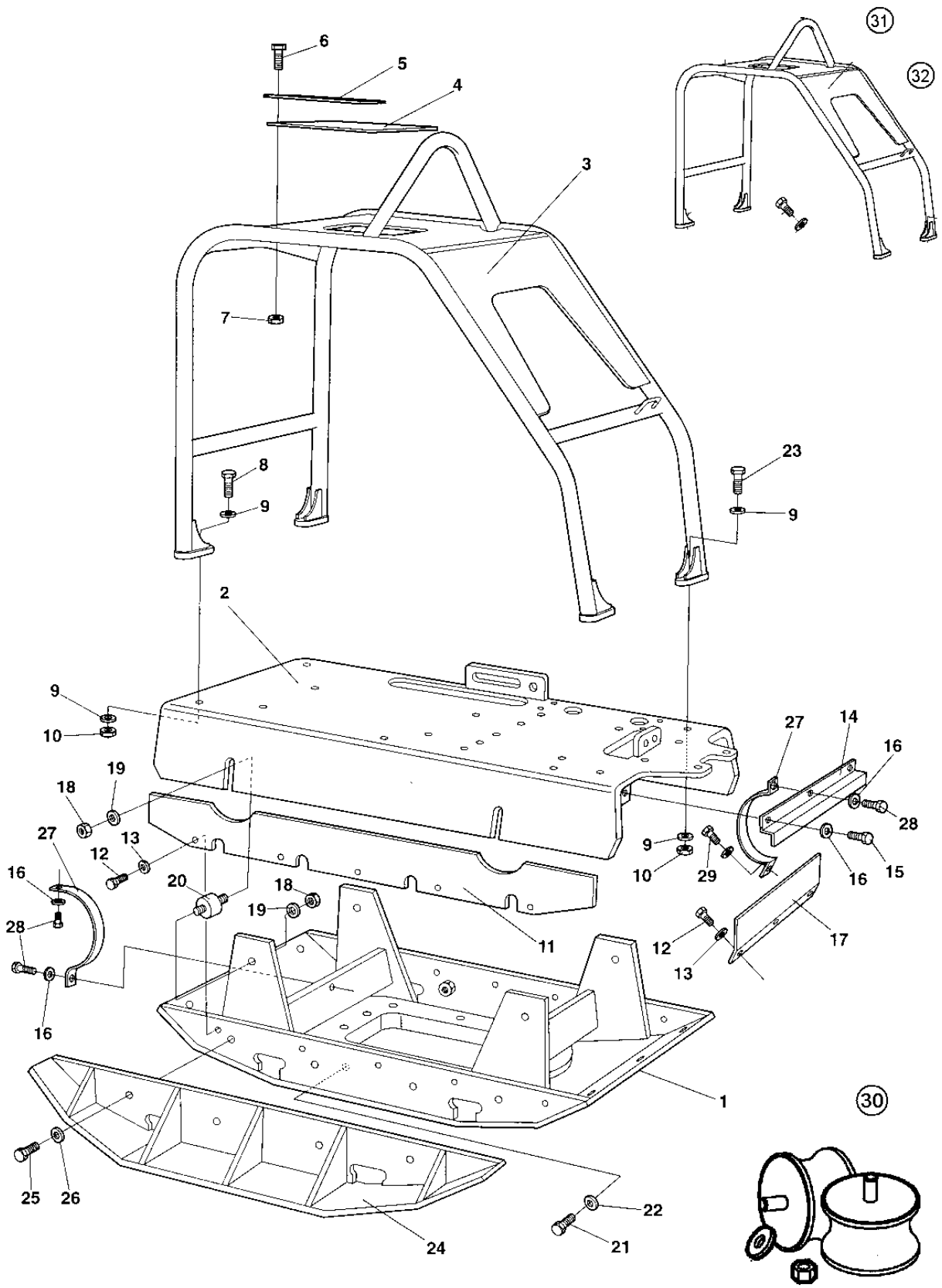
Item	Part No	Rem Qty	Description	Code
10			Ground plate (Page 4)	
20			Eccentric element (Page 16)	
30			Engine and engine spacer installation (Page 22)	
40			Power transmission (Page 30)	
50			Hydraulic system (Page 36)	
60			Electrical equipment (Page 44)	
70			Handle and controls (Page 50)	
80			Decals and equipment (Page 56)	

Ground plate

Item	Part No	Rem Qty	Description	Code
10			Ground plate for extension plates and frame (Page 6)	
15			Ground plate and eccentric element (Page 8)	
20			Engine plate and frame (Page 10)	
40			V-belt cover (Page 12)	
50			Option (Page 14)	

Ground plate for extension plates and frame

16060-1



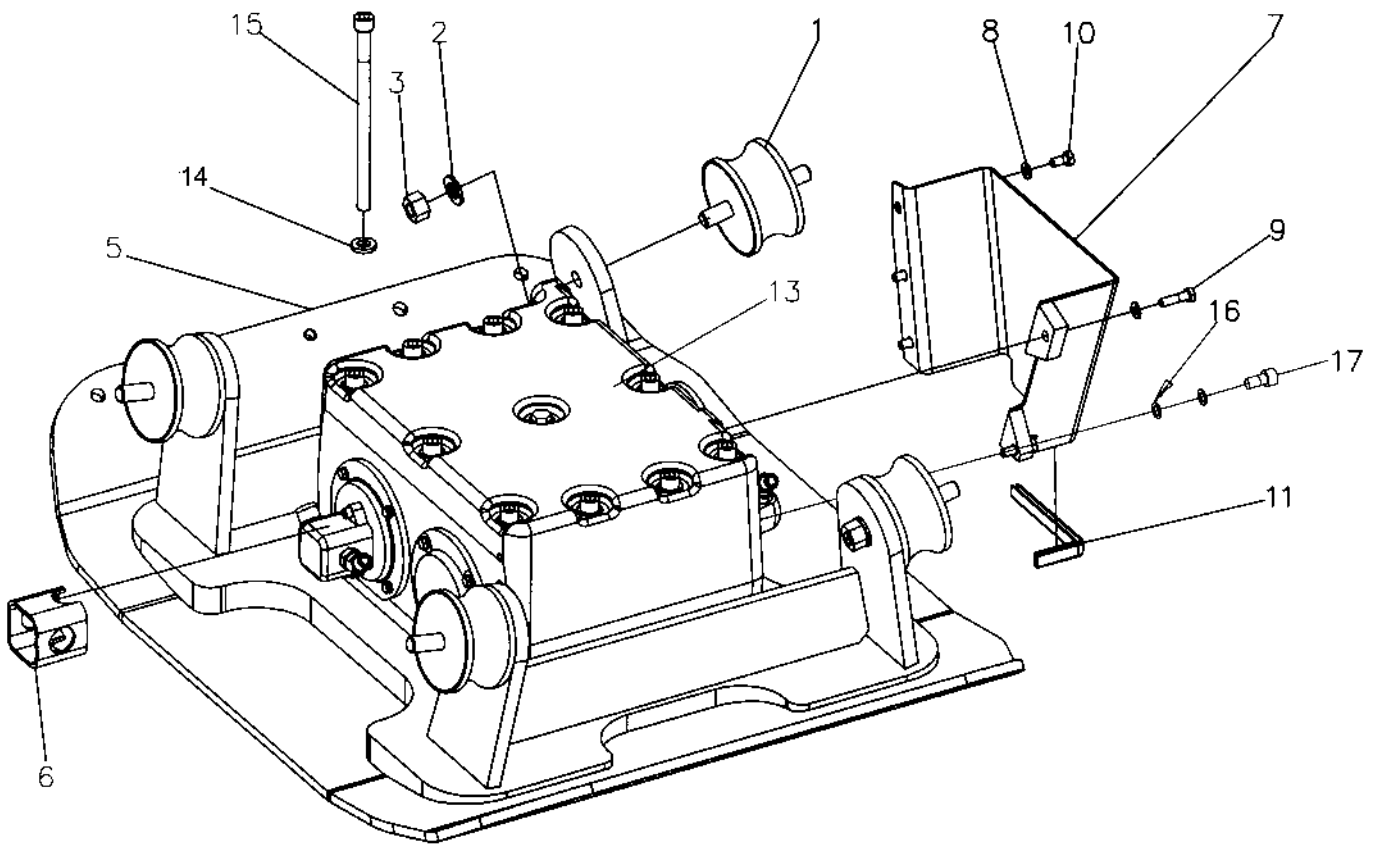
Ground plate for extension plates and frame

Item	Part No	Rem	Qty	Description	Code
1	4700282714		1	Ground plate	
2	D281490-01		1	Engine plate	
3	4700386612		1	Protective frame	
4	4700281485		1	Cover	
5	4700281484		1	Bracket	
6	4700902520		3	Screw	C
7	4700902286		3	Hexagon lock nut with flange	C
8	4700508036		2	Screw	
9	4700904558		8	Washer	17X30X6 300HV
10	4700586021		4	Nut	M16
11	4700282704		2	Plastic cover	
12	4700500048		16	Screw	M10-1,5x20 8,8
13	4700928441		16	Washer	
14	D281482-01		1	Plate	
15	4700500051		2	Screw	M12x25H 8.8 A3K
16	4700924543		5	Washer	
17	4700386349		1	Plastic cover Model 35001515	
18	4700570008		8	Nut	M16 -8
19	4700904232		8	Washer	
20	4700280454		4	Shock absorber	B
21	4700508028		1	Screw	
22	4700747541		2	Washer	D
23	4700508036		2	Screw	
24	4700280544	C	2	Extension plate	
25	4700500101		8	.Screw	M20x50
26	4700615047		8	.Conical spring washer	
27	4700283075		2	Strap	
28	4700500035		3	Screw	M12x020H
29	4700500028		1	Screw	
30	4812155299		1	Repair kit, shock absorbers	
			8	.Item 18	
			8	.Item 19	
			4	.Item 20	
31				Not used on this model	
32	4812155355		1	Repair kit, protective frame	
			1	.Item 3A	
			4	.Item 23	
			4	.Item 9	
			1	.Decal, lifting point	
			1	.Item 4	
			1	.Item 5	
			3	.Item 6	

C) Option

Ground plate and eccentric element

18443



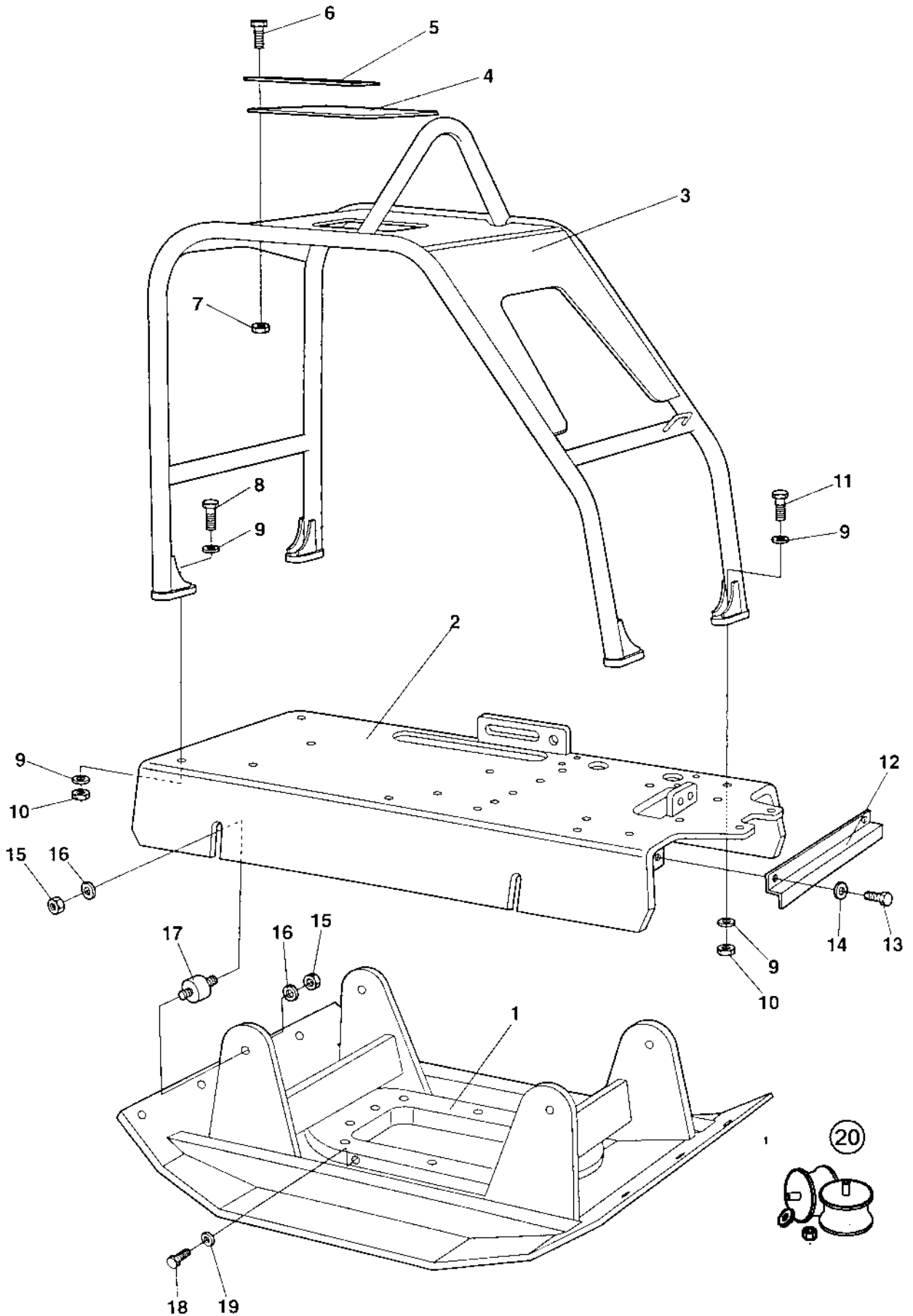
Ground plate and eccentric element

Item	Part No	Rem	Qty	Description	Code
		B			
		B			
		B			
		B	1		
6				Not used on this model	
7	4700280434		1	Belt guard	
8	4700904229		5	Washer	8,4x16x1,5
9	4700500022		2	Screw	M8x30H 8.8 A2K
10	4700508005		3	Screw	
11	4700202028	A	1XL	Edge trim	D
13				Eccentric element (Page 18)	
14	4700904213		10	Washer	C
15	4700928944		10	Screw	
16	4700747541		2	Washer	D
17	4700508028		1	Screw	

- A) L 0,165 m
- B) Se section ground plate and frame

Engine plate and frame

16193-1

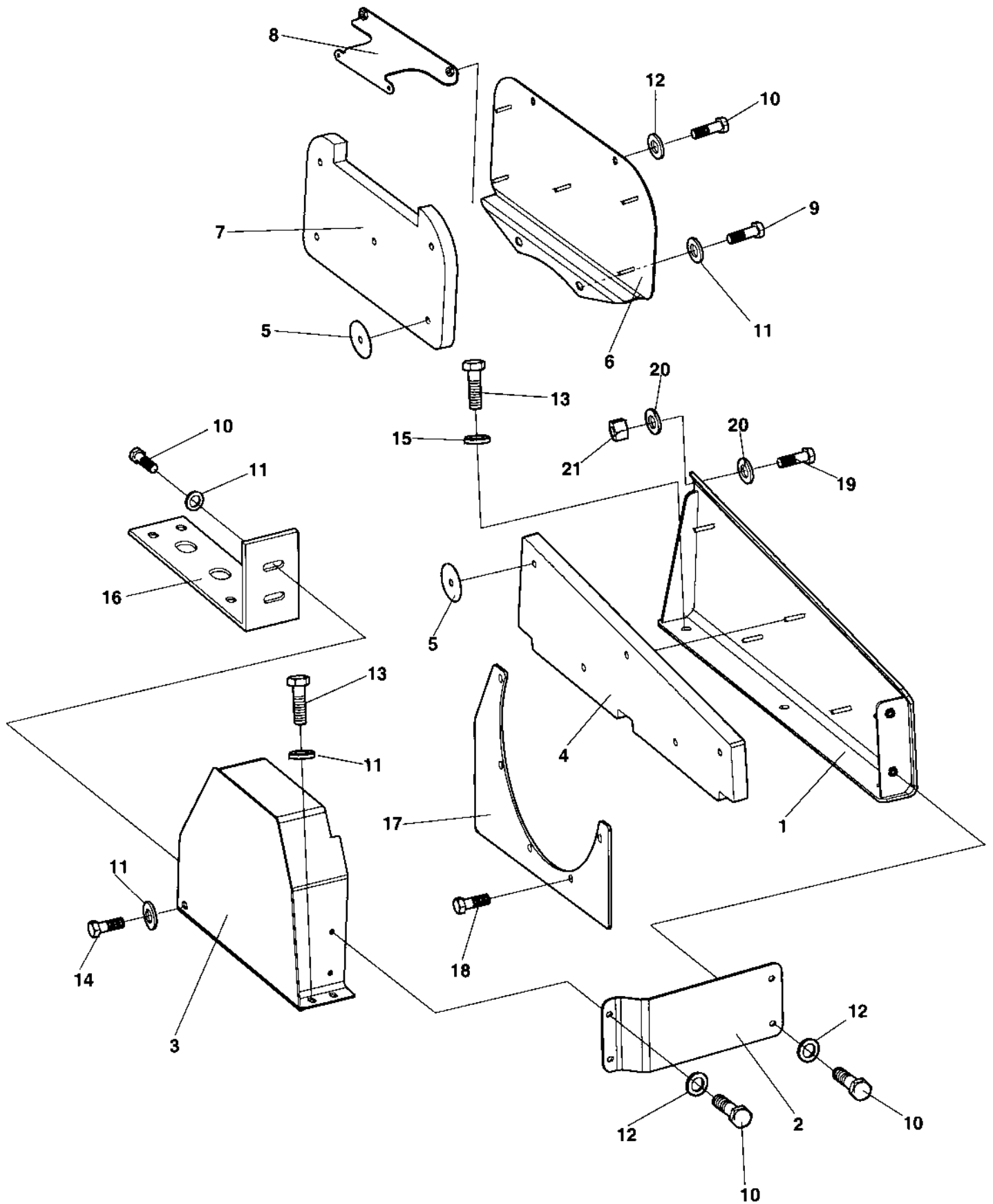


Engine plate and frame

Item	Part No	Rem Qty	Description	Code
1	4700389108	1	Ground plate	
2	D281490-01	1	Engine plate	
3	4700281475	1	Protective frame	
4	4700281485	1	Cover	
5	4700281484	1	Bracket	
6	4700902520	3	Screw	C
7	4700902286	3	Hexagon lock nut with flange	C
8	4700508036	2	Screw	
9	4700904558	8	Washer	
10	4700586021	4	Nut	
11	4700508036	2	Screw	
12	D281482-01	1	Plate	
13	4700500051	2	Screw	
14	4700904213	2	Washer	
15	4700570008	8	Nut	
16	4700904232	8	Washer	
17	4700280454	4	Shock absorber	
18	4700508028	1	Screw	
19	4700747541	2	Washer	
20	4812155299	1	Repair kit, shock absorbers	
		8	.Item 15	
		8	.Item 16	
		4	.Item 17	

V-belt cover

17690

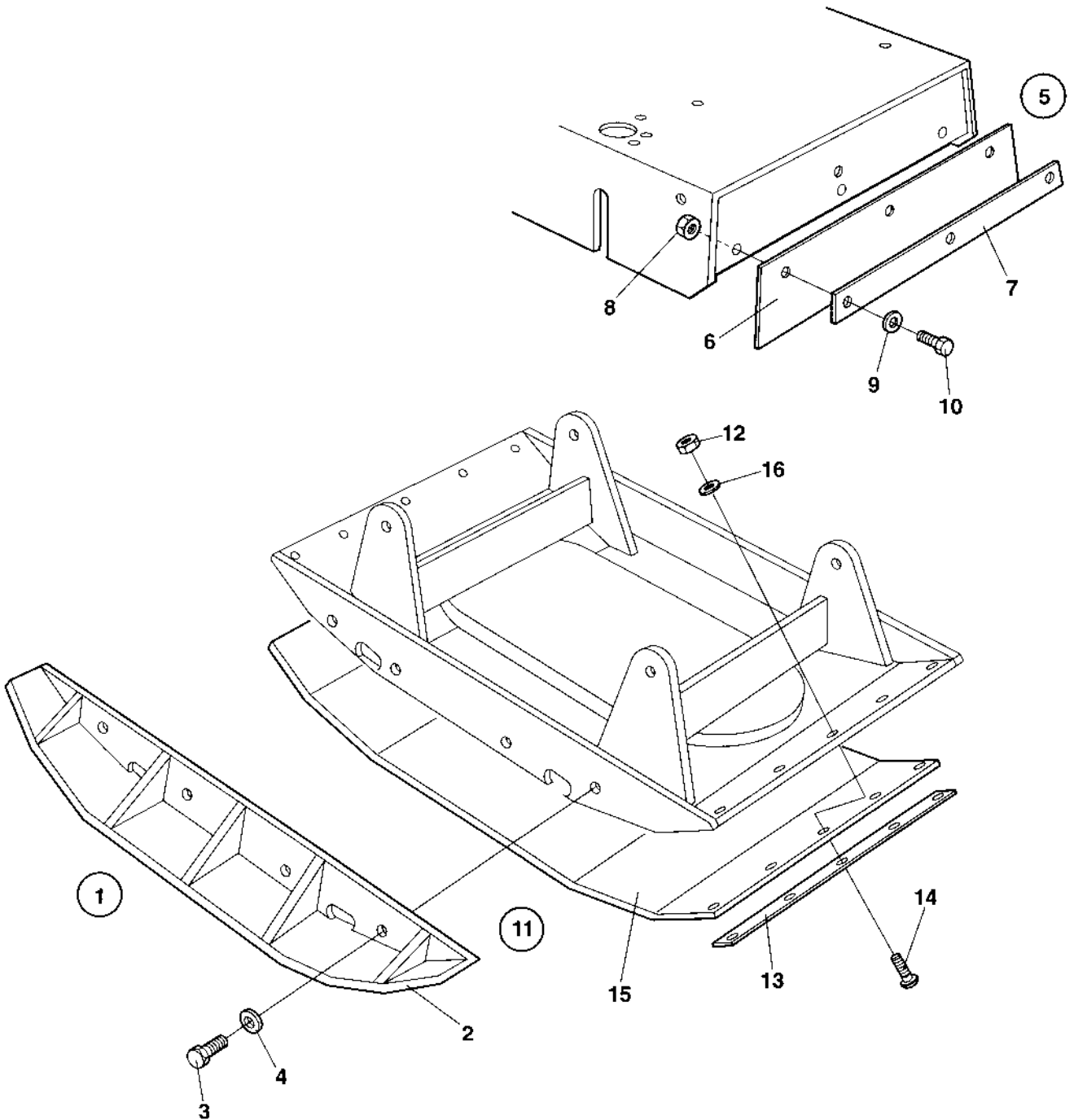


V-belt cover

Item	Part No	Rem Qty	Description	Code
1	D386614-02	1	Protective cover	
2	D386314-02	1	Bracket	
3	D386315-02	1	V-belt cover	
4	4700386599	1	Insulation	
5	4700373476	10	Insulating washer	C
6	4700386313	1	Cover	
7	4700386393	1	Insulation	
8	4700386369	1	Bracket	
9	4700500056	2	Screw	C
10	4700500021	8	Screw	M8-1,25x25 8.8
11	4700904213	4	Washer	C
12	4700904556	8	Washer	8,4x16x3,0
13	4700500051	5	Screw	M12x25H 8.8 A3K
14	4700500035	1	Screw	M12x020H
15	4700904213	3	Washer	C
16	4700394699	1	Bracket	
17	4700386316	1	Plate	
18	4700500048	5	Screw	M10-1,5x20 8,8
19	4700500029	2	Hexagon head screw	C
20	4700904557	4	Steel plain washer	
21	4700570006	2	Nut	C

Option

17103



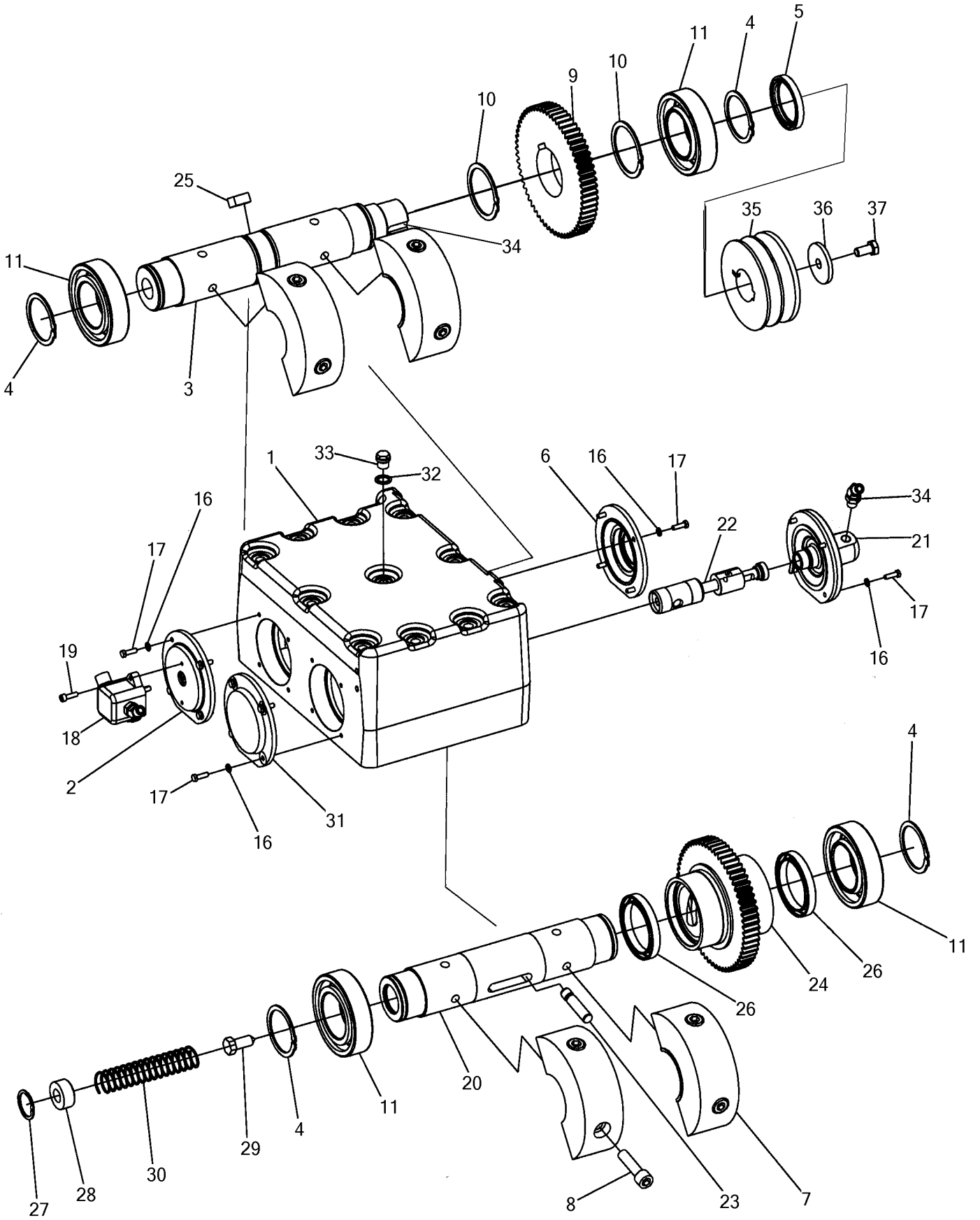
Option

Item	Part No	Rem	Qty	Description	Code
1			1	Extension plate, cpl	C
2	4700280544		2	.Extension plate	
3	4700500101		8	.Screw	C
4	4700615047		8	.Conical spring washer	M20x50
5				Not used on this model	
6				.Not used on this model	
7	4700281879			.Not used on this model	
8	4700586019			.Lock nut	
9	4700600009			.Washer	13x24x2,5
10	4700500133			.Screw	C
11			1	Polyurethane plate, cpl	C
12	4700586018	D	8	.Lock nut	C
	4700902287	C	8	.Nut	C
13	4700381902	D	2	.Bracket	
	4700382008	C	2	.Bracket	
14	4700904341	C	8	.Carriage screw	
	4700500161	D	8	.Hexagon head screw	C
15	4700280888	A	1	.Polyurethane plate	
	4700381903	B	1	.Polyurethane plate	
16	4700904230	D,E	8	.Steel plain washer	

- A) Widht = 750 mm
- B) Widht = 850 mm, use together with extension plates
- C) Part for polyurethane plate 4700280888
- D) Part for polyurethane plate 4700381903
- E) Mounted between bracket and screw

Eccentric element

Item	Part No	Rem Qty	Description	Code
10			Eccentric element (Page 18)	
20			Piston, cpl (Page 20)	

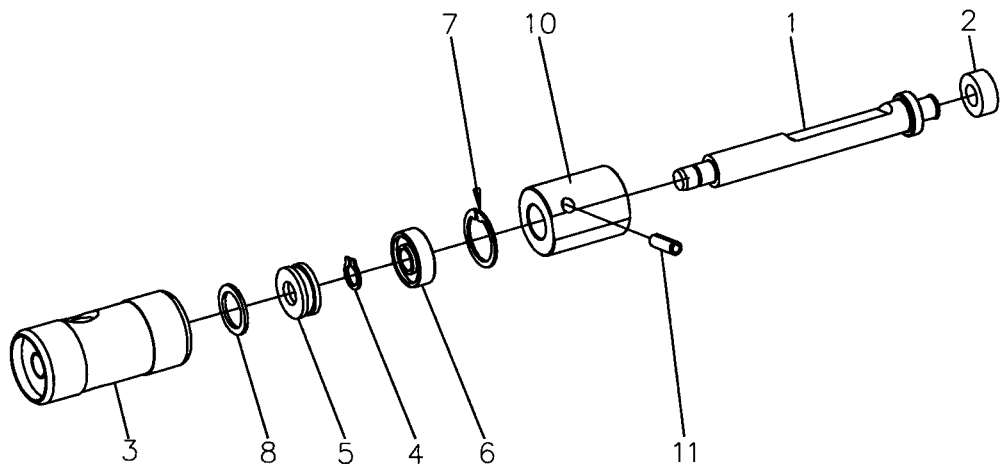


Eccentric element

Item	Part No	Rem Qty	Description	Code
1	4700379121	1	Eccentric housing	C
2	4700379079	1	Cover	
3	4700377986	1	Shaft, cpl	
4	4700150033	4	Retaining ring	
5	4700928794	1	Sealing ring	D
6	4700379080	1	Cover	
7	4700280436	4	Eccentric weight	D
8	4700928791	8	Screw	
9	4700378216	1	Gear	
10	4700150020	2	Snap ring	
11	4700928786	4	Ball bearing	
16	4700904228	16	Washer	6,4x12x1,5
17	4700500040	16	Screw	M6-1x20 8,8
18			Hydraulic pump installation (Page 42)	
19	4700508025	2	Screw	M6x20
20	4812070073	1	Eccentric shaft	
21	4812070042	1	Hydraulic cylinder	
22			Piston, cpl (Page 20)	
23	4700280442	1	Pin	
24	4812070093	1	Reverser	
25	4700280450	1	Key	
26	4700928796	2	Ball bearing	
27	4700928787	1	Retaining ring	
28	4700280448	1	Stop	
29	4700280449	1	Screw	
30	4700928798	1	Spring	
31	4700379081	1	Cover	
32	4700162011	1	Washer, sealing	D
33	4700232143	1	Plug	
34	4700928788	1	Key	D
35	4700377776	1	Pulley	
36	4700280432	1	Washer	
37	4700500048	1	Screw	M10-1,5x20 8,8

Piston, cpl

19082



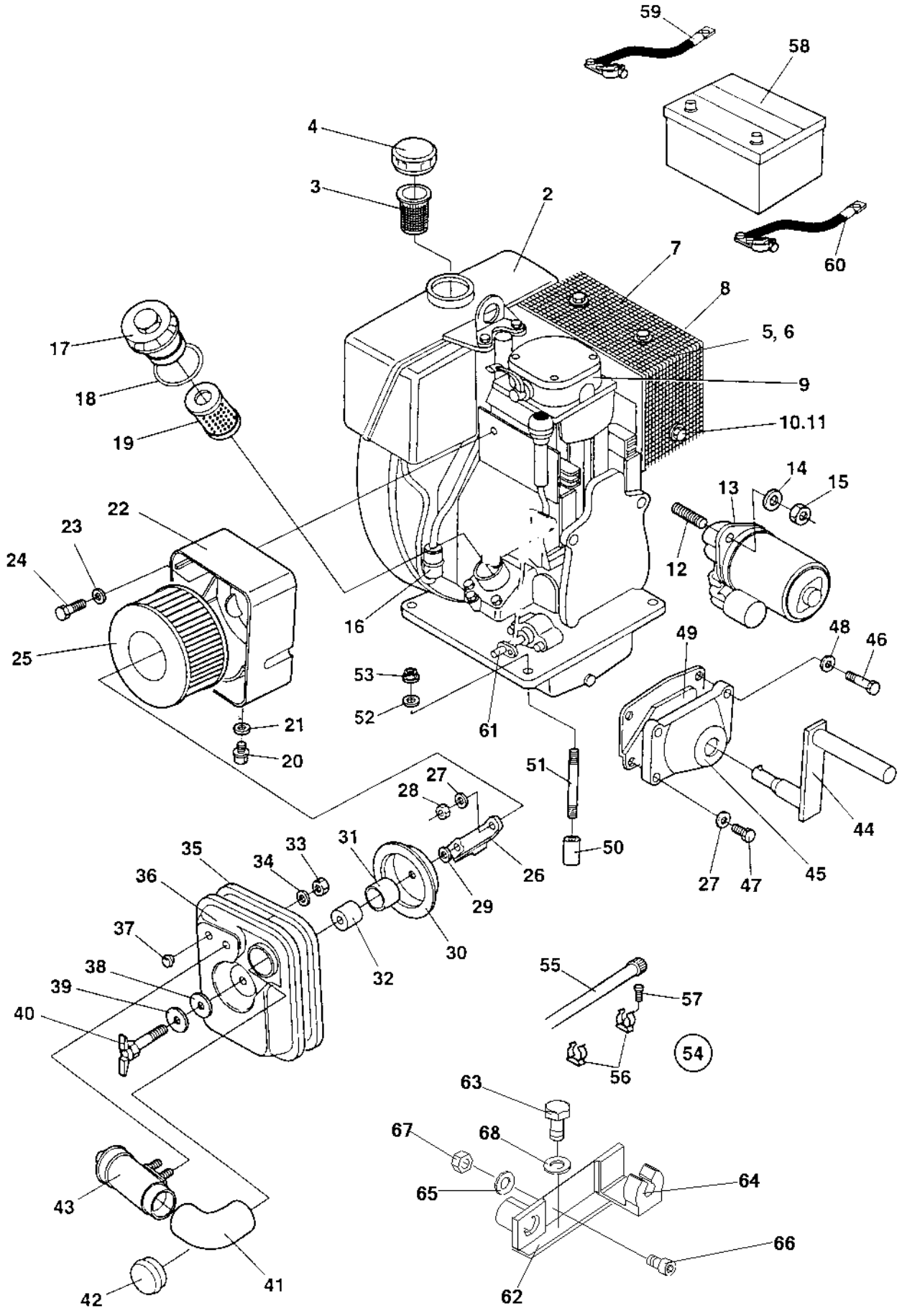
Piston, cpl

Item	Part No	Rem Qty	Description	Code
1	4812070044	1	Piston rod	
2	4700281276	1	Sealing ring	
3	4812070052	1	Piston	
4	4700150002	1	Retaining ring	
5	4812070362	1	Thrust ball bearing	
6	4812070359	1	Ball bearing	
7	4700151039	1	Retaining ring	
8	4812070363	1	Spring washer	
10	4812070043	1	Cap	
11	4700629062	1	Spring pin	

Engine and engine spacer installation

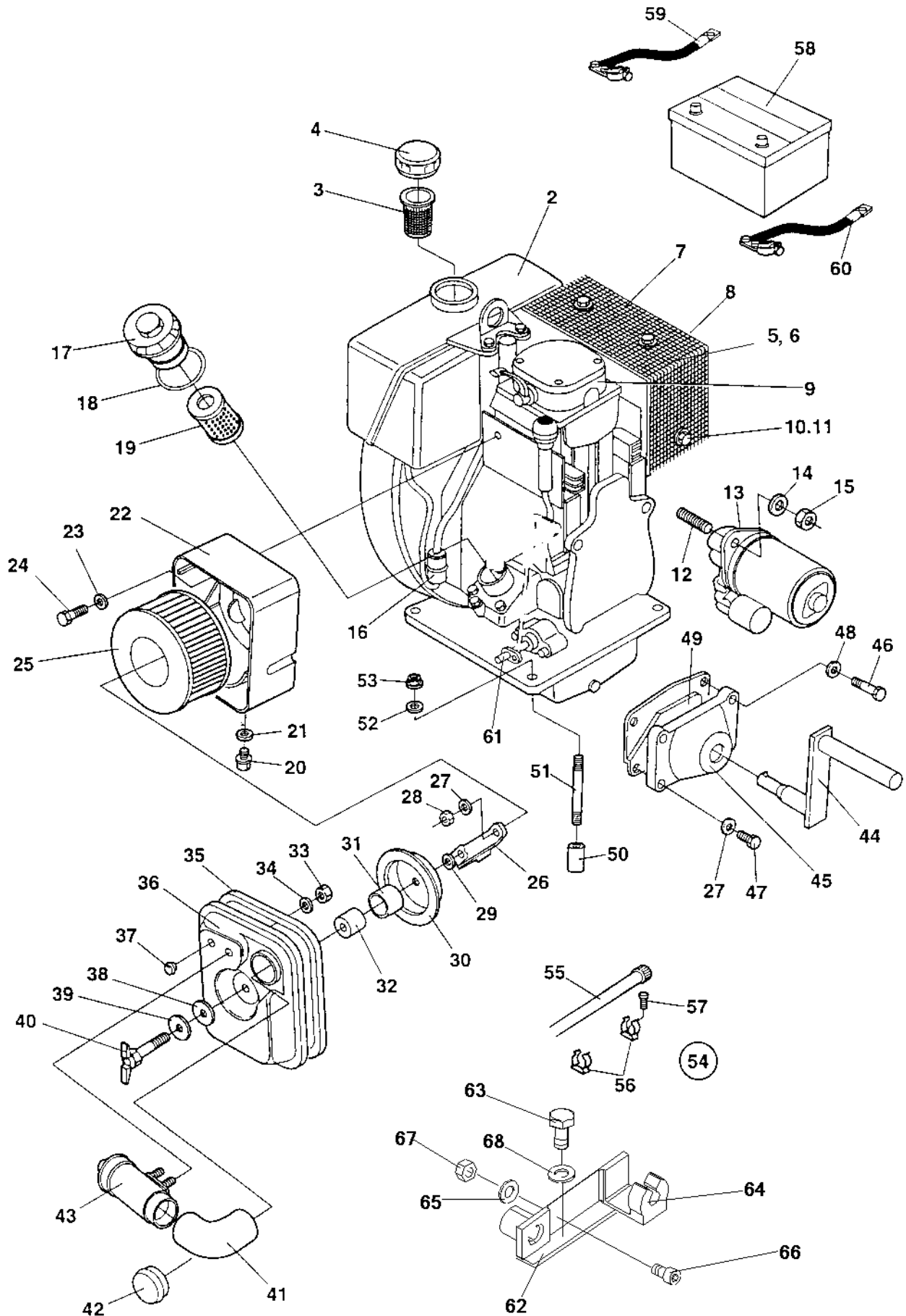
Engine and engine spacer installation

Item	Part No	Rem Qty	Description	Code
10			Engine (Page 24)	Hatz 1D81Z
20			Engine spacer installation (Page 28)	



Item	Part No	Rem	Qty	Description	Code
				Model LG500 man/el	
1	4700395242		1	Engine, cpl	Hatz 1D81, Manual started
	4700395243	B	1	Engine, cpl	Hatz 1D81, Electrical started
	4700938278		1	Solenoid valve	
2	4700935942		1	.Fuel tank, cpl	D
3	4700239550		1	.Fuel strainer	D
4	4700937428		1	.Fuel cap	
5			1	.Injector	
6			1	..Nozzle	
7	4700239421		1	.Muffler	D
8	4700239428		1	.Muffler cover	
9	4700239333		1	.Valve cover gasket	D
10	4700500058		5	.Screw	M16-2,0x65 8,8
11	4700928381		5	.Washer	6,4x18x1,6
12	4700935610	B	2	.Screw	
13	4700936922	B	1	.Starter	
14	4700935611	B	2	.Washer	
15	4700935612	B	2	.Nut	
16	4700937873		1	.Fuel filter	A
17	4700935608		1	.Oil filter cover, cpl	
18	4700239335		1	..O-ring	B
19	4700239326		1	.Oil filter	A
20	4700239534		1	.Screw	
21	4700239533		1	.Washer	
22	4700239516		1	.Housing	
23	4700239517		1	.Washer	
24	4700239518		1	.Screw	
25	4700239423		1	.Air filter element	A
26	4700239519		1	.Bracket	
27	4700239520		3	.Washer	
28	4700239521		1	.Nut	
29	4700239522		1	.Washer	
30	4700239523		1	.Cover	
31	4700239524		1	.Bushing	
32	4700239525		1	.Gasket	
33	4700239887		2	.Nut	
34	4700239886		2	.Washer	
35	4700239526		1	.Gasket	D
36	4700239527		1	.Cover	
37	4700239532		2	.Plug	
38	4700239529		1	.Washer	
39	4700239530		1	.Washer	
40	4700239531		1	.Screw	
41	4700239882		1	.Elbow	
42	4700935609	C	1	.Plug	
43	4700239883		1	.Cyclone	
44	4700239382		1	Safety crank	D
45	4700239553		1	Collar bearing	
46	4700508096		2	Screw	C
47	4700508092		2	Screw	C
48	4700935752		2	Washer	
49	4700935753		1	Gasket	
		I	1		
		I	4		
		I	4		
		I	4		

- B) LG500 el
- C) Replaced by 379101
- I) See section engine spacer installation

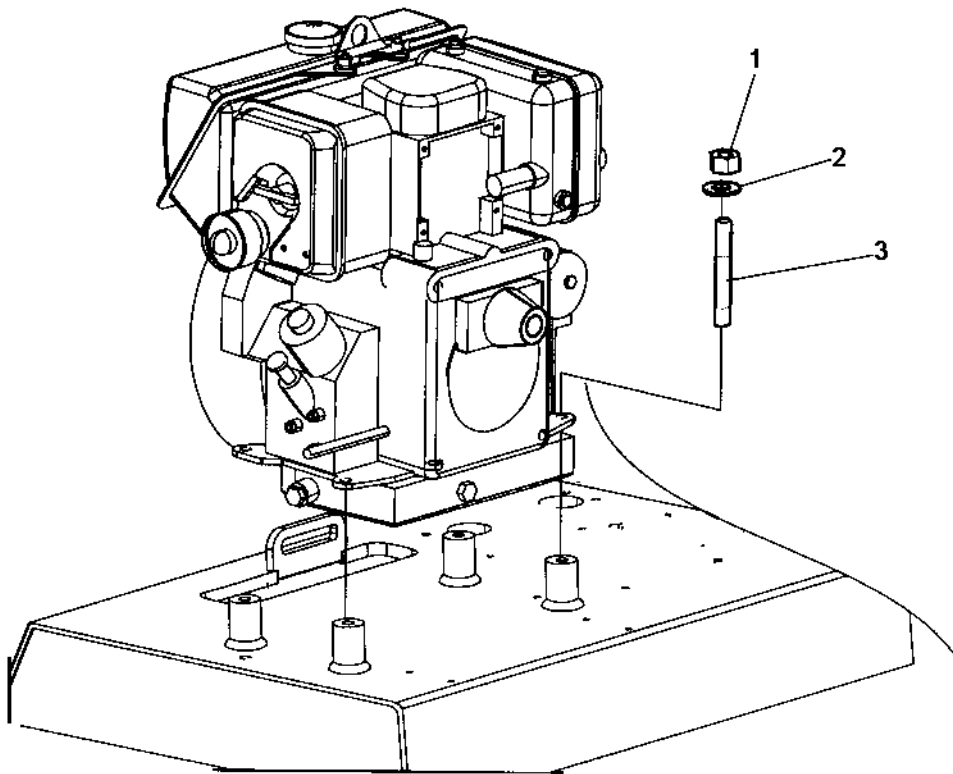


Item	Part No	Rem	Qty	Description	Code
54	4700281852		1	Oil drain, cpl	D
55	4700244059	E	1XL	Hose	D
56	4700281116		2	Ryw-clips	
57	4700281115		2	Screw	
58	4700281896	B	1	Battery	B
59	4700281202	B	1	Battery cable	D
60	4700281201	B	1	Battery cable	D
61	4700239508		1	Throttle lever	
62	D280772-01		1	Bracket	
63	4700500019		2	Screw	M8x16H 8.8 A2K
64	4700281183		1	Crank holder	
65	4700904229		2	Washer	8,4x16x1,5
66	4700508005		2	Screw	
67	4700570005		2	Nut	M8
68	4700904556		2	Washer	8,4x16x3,0

B) LG500 el
E) L=400MM

Engine spacer installation

19071



Engine spacer installation

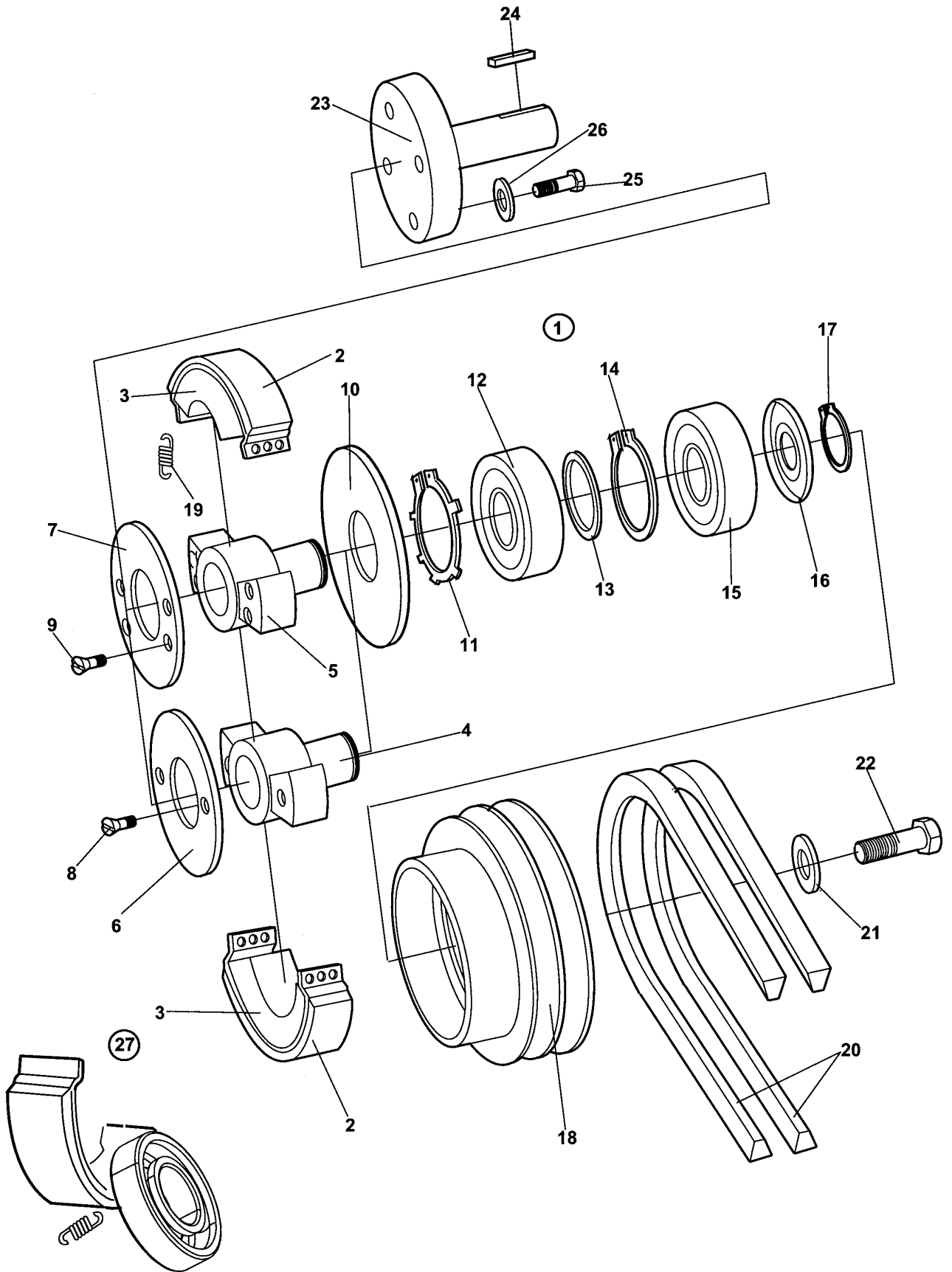
Item	Part No	Rem Qty	Description	Code
1	4700928849	4	Nut	C
2	4700904703	4	Washer	C
3	4700394700	4	Stud	

Power transmission

Item	Part No	Rem Qty	Description	Code
20			Clutch (Page 32)	
30			Belt tightener (Page 34)	

Clutch

17691-3

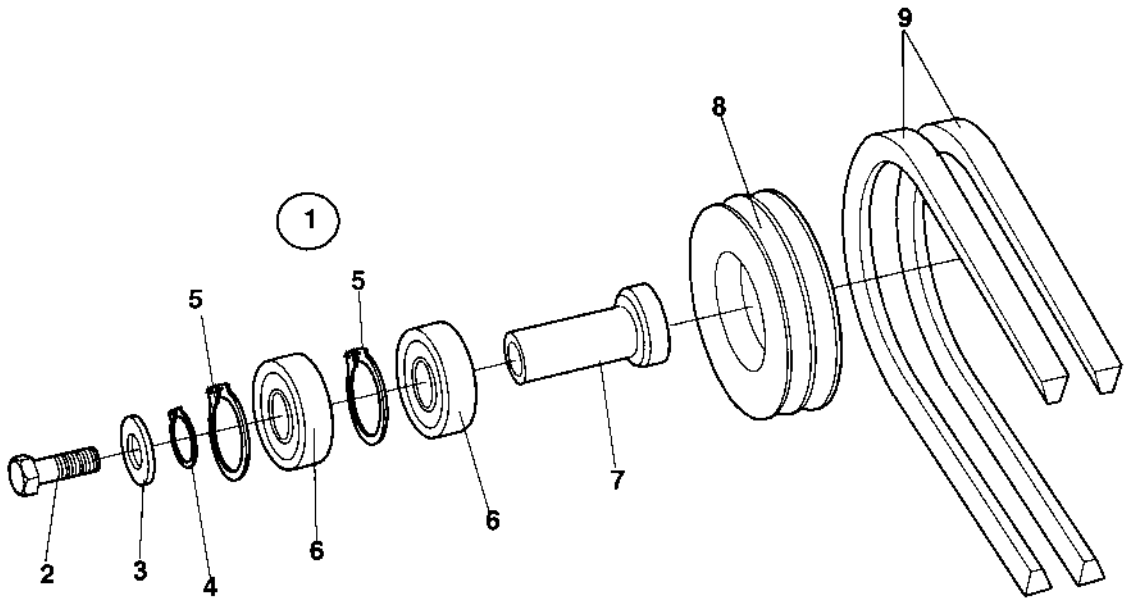


Clutch

Item	Part No	Rem Qty	Description	Code
1	4700386311	1	Clutch, cpl From 35001515	
2	4700939359	2	.Clutch lining	
3		2	.Weight	
4			Not used on this model	
5	4700939357	1	.Hub	
6			Not used on this model	
7	4700939360	1	.Cover	
8			Not used on this model	
9	4700939361	4	.Screw	
10	4700939362	1	.Cover	
11	4700939363	1	.Lock washer	
12	4700938724	1	.Ball bearing	D
13	4700939356	1	.Washer	
14	4700938725	1	.Retaining ring	
15	4700938724	1	.Ball bearing	D
16	4700938727	1	.Nilos ring	
17	4700938726	1	.Snap ring	
18	4700939355	1	.V-belt pulley	
19	4700421246	4	.Spring	B
20	4700386312	2	V-belt	
21	4700904213	2	Washer	C
22	4700500048	1	Screw	M10-1,5x20 8,8
23	4700281194	1	Engine shaft	
24	4700350036	1	Key	D
25	4700500022	4	Screw	M8x30H 8.8 A2K
26	4700904556	4	Washer	8,4x16x3,0
27	4812155351	1	Repair kit, clutch	
		2	.Item 2	
		4	.Item 19	
		1	.Item 15	

Belt tightener

19084



Belt tightener

Item	Part No	Rem	Qty	Description	Code
1	4700378060	C		Belt tightener, cpl	
2	4700500051	D	1	.Screw	M12x25H 8.8 A3K C
3	4700924543	D	1	.Washer	
4	4700150012		1	.Snap ring	D
5	4700151019		2	.Retaining ring	D
6	4700111180		2	.Ball bearing	D
7	4700378061		1	.Shaft	
8	4700380517		1	.V-belt pulley	
9		A		V-belt	

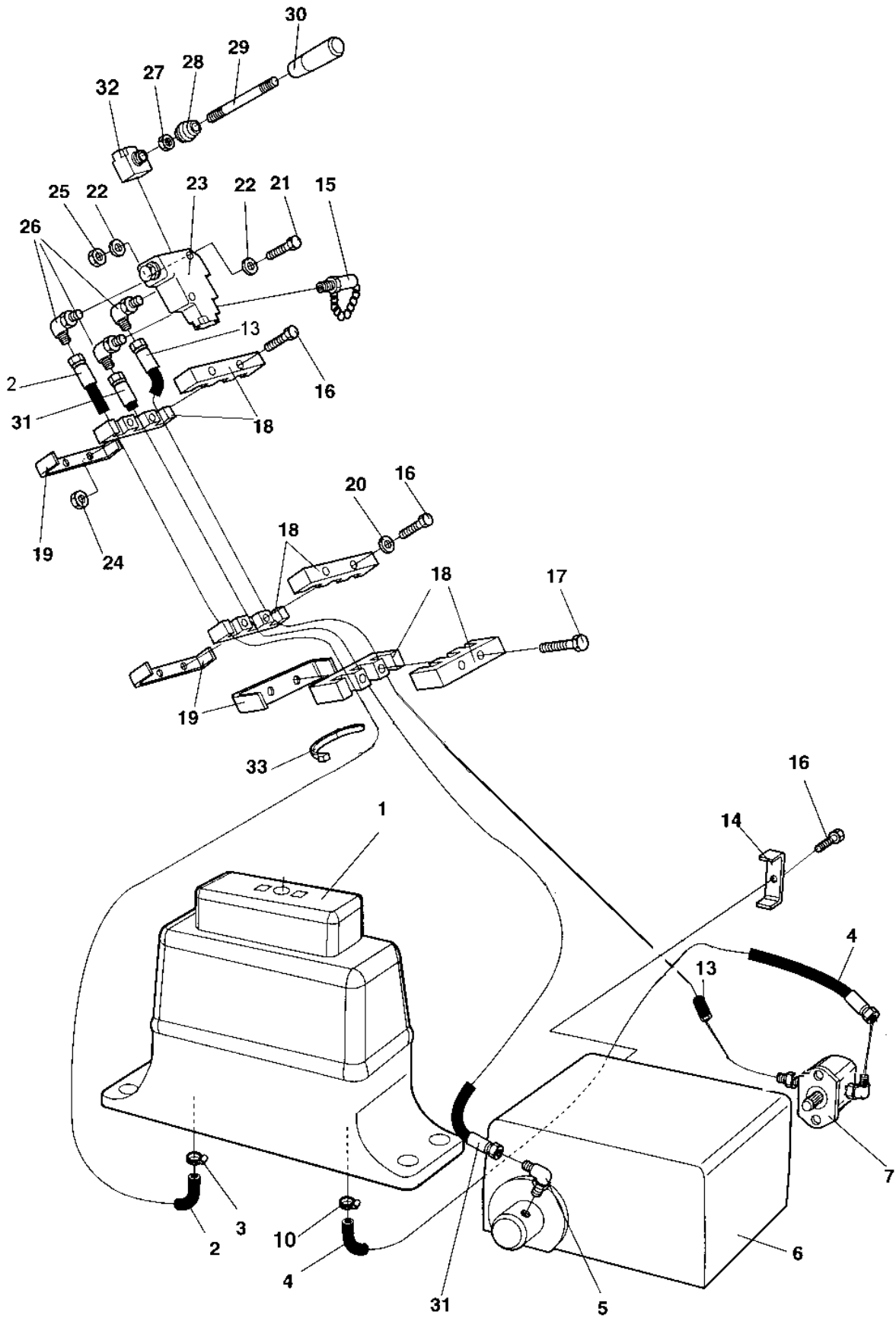
A) See section clutch

C) New version

D) Not included in complete belt tightener, P/N 4700378060

Hydraulic system

Item	Part No	Rem Qty	Description	Code
10			Hydraulic system (Page 38)	
20			Hydraulic tank (Page 40)	
30		1	Hydraulic pump installation (Page 42)	



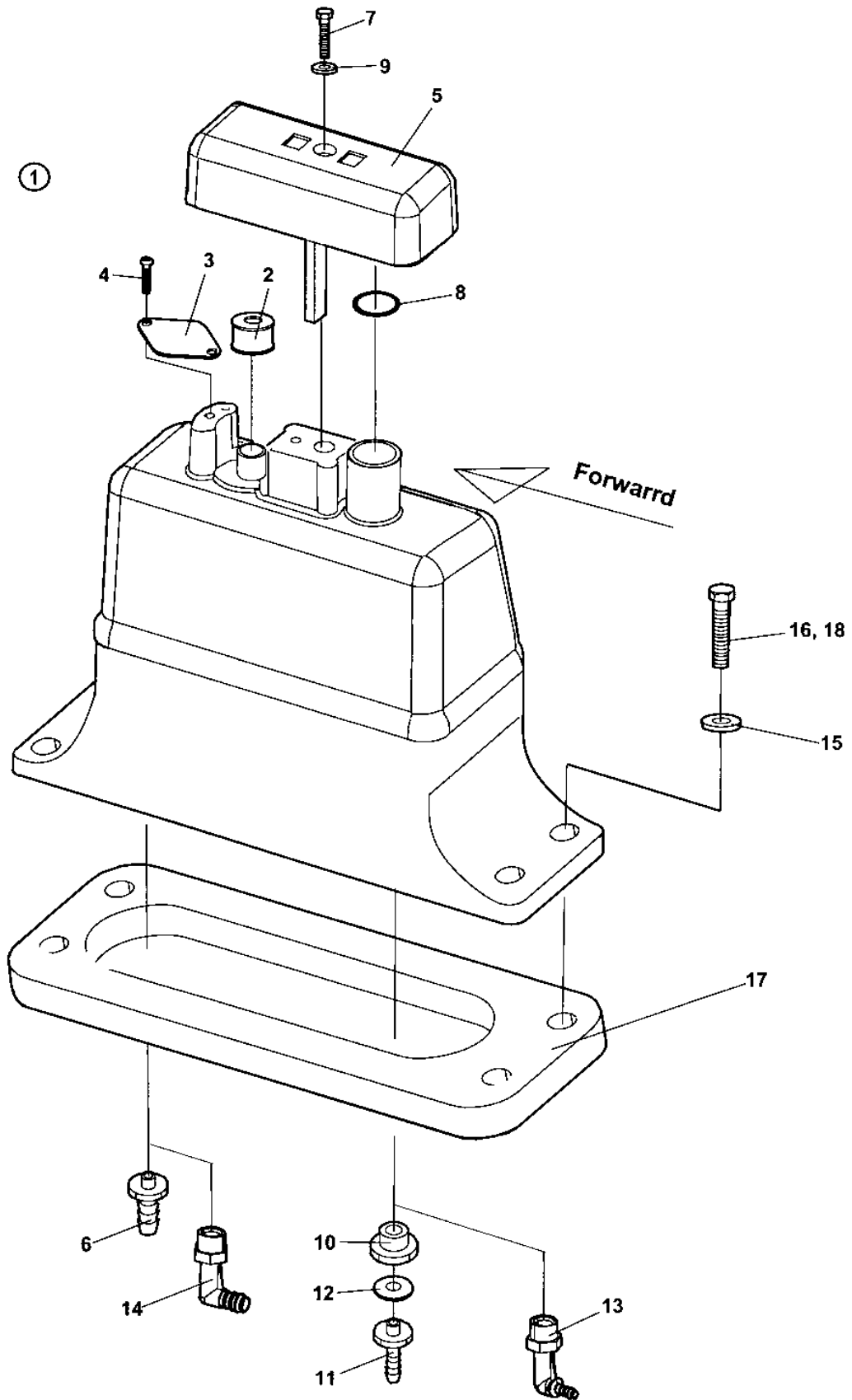
Hydraulic system

Item	Part No	Rem	Qty	Description	Code
1		A	1	Hydraulic tank	
2	4812070427		1	Hydraulic hose	D
3	4700313108		1	Hose clamp	
4	4812070426		1	Hydraulic hose	
5	4700234481		1	Connector	
6		G	1	Eccentric element	
7			1	Hydraulic pump installation (Page 42)	
10	4700313003		1	Hose clamp	D
13	4811000187		1	Hydraulic hose	
14	4700383458		1	Hose holder	
15	4700938163		1	Measuring nipple	
16	4700500025		5	Screw	M8-1,25x50 8,8
17	4700500026		2	Screw	M8-1,25x60 8,8
18	4700280534		3	Rubber block	
19	D100505023		3	Bracket	
20	4700615043		2	Washer	8,4x18x2
21	4700500079		2	Screw	M6-1x50 8,8
22	4700615042		4	Conical spring washer	
23	4700281375		1	Valve	D
24	4700902286		2	Hexagon lock nut with flange	C
25	4700902285		2	Nut	C
26	4700791397		3	Elbow 90, O-ring	
27	4700570005		1	Nut	M8
28	4700936595		1	Rubber Cover	
29	D100505042		1	Rod	
30	4700903821		1	Grab handle	
31	4700484208		1	Hydraulic hose	
32	4700937924	F	1	Lever housing	
33	4700313041		1	Cable ties	
34	4700313003	I	1	Hose clamp	D

- A) See section hydraulic tank
- F) Included in 4700281375
- G) See section eccentric element
- I) Use together with item 9

Hydraulic tank

17228-2

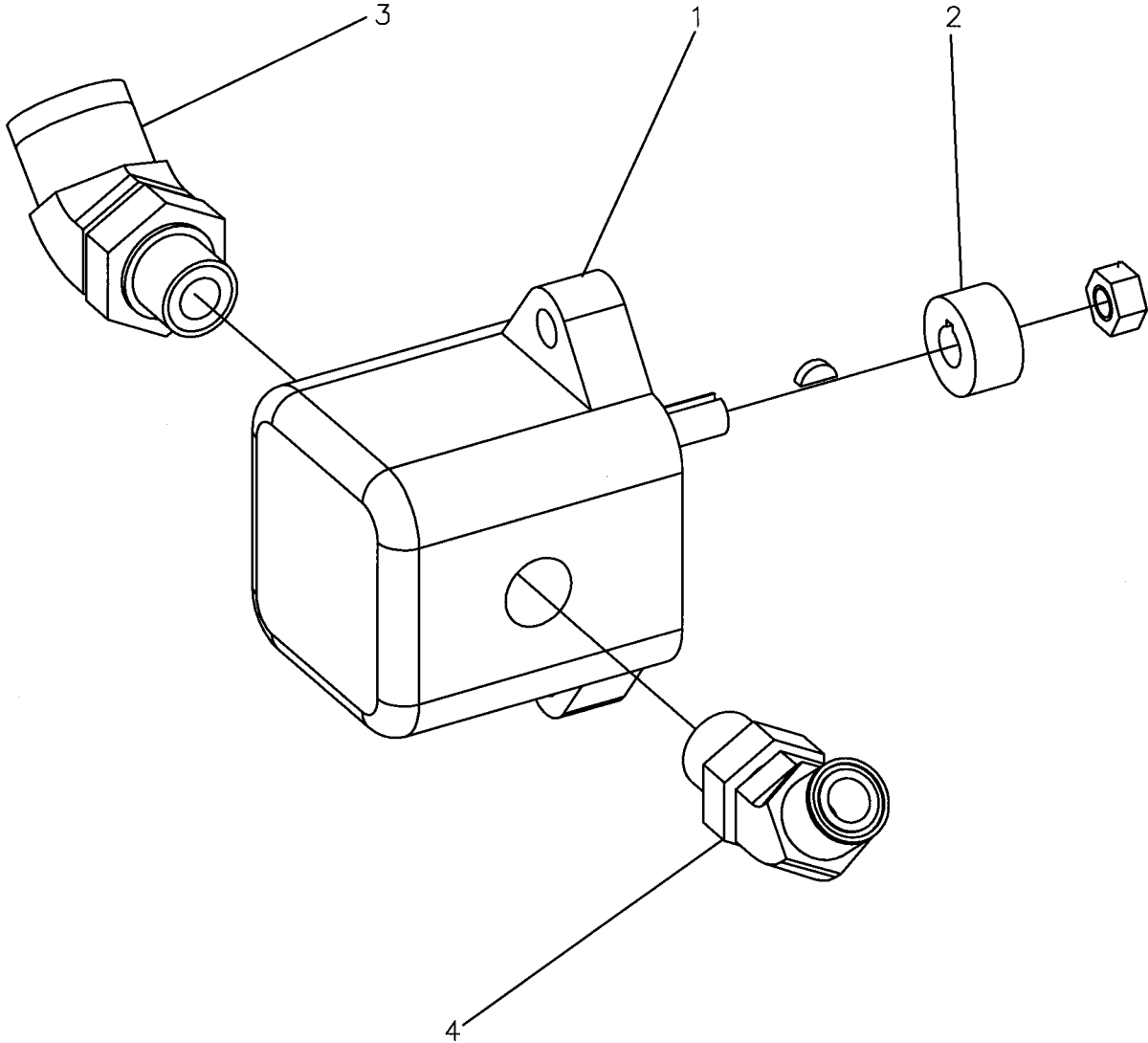


Hydraulic tank

Item	Part No	Rem Qty	Description	Code
1	4700376676	1	Hydraulic oil tank, cpl	
2	4700381566	1	.Air filter	
3	4700381563	1	.Holder	
4	4700904960	2	.Screw	
5	4700381385	1	.Cover	
6	4700383038	1	.Hose coupling	
7	4700500021	1	.Screw	M8-1,25x25 8.8
8	4700160110	1	.O-ring	
9	4700904229	1	.Washer	8,4x16x1,5
10	4700383039	1	.Reducer	
11	4700383353	1	.Hose coupling	
12	4700480124	1	.Washer	
13	4700376674	1	Adapter	
14	4700376675	1	Adapter	
15	4700904229	4	Washer	8,4x16x1,5
16			Not used on this model	
17	4700384230	1	Spacer	
18	4700500032	4	Screw	M10 x 55

Hydraulic pump installation

19041



Hydraulic pump installation

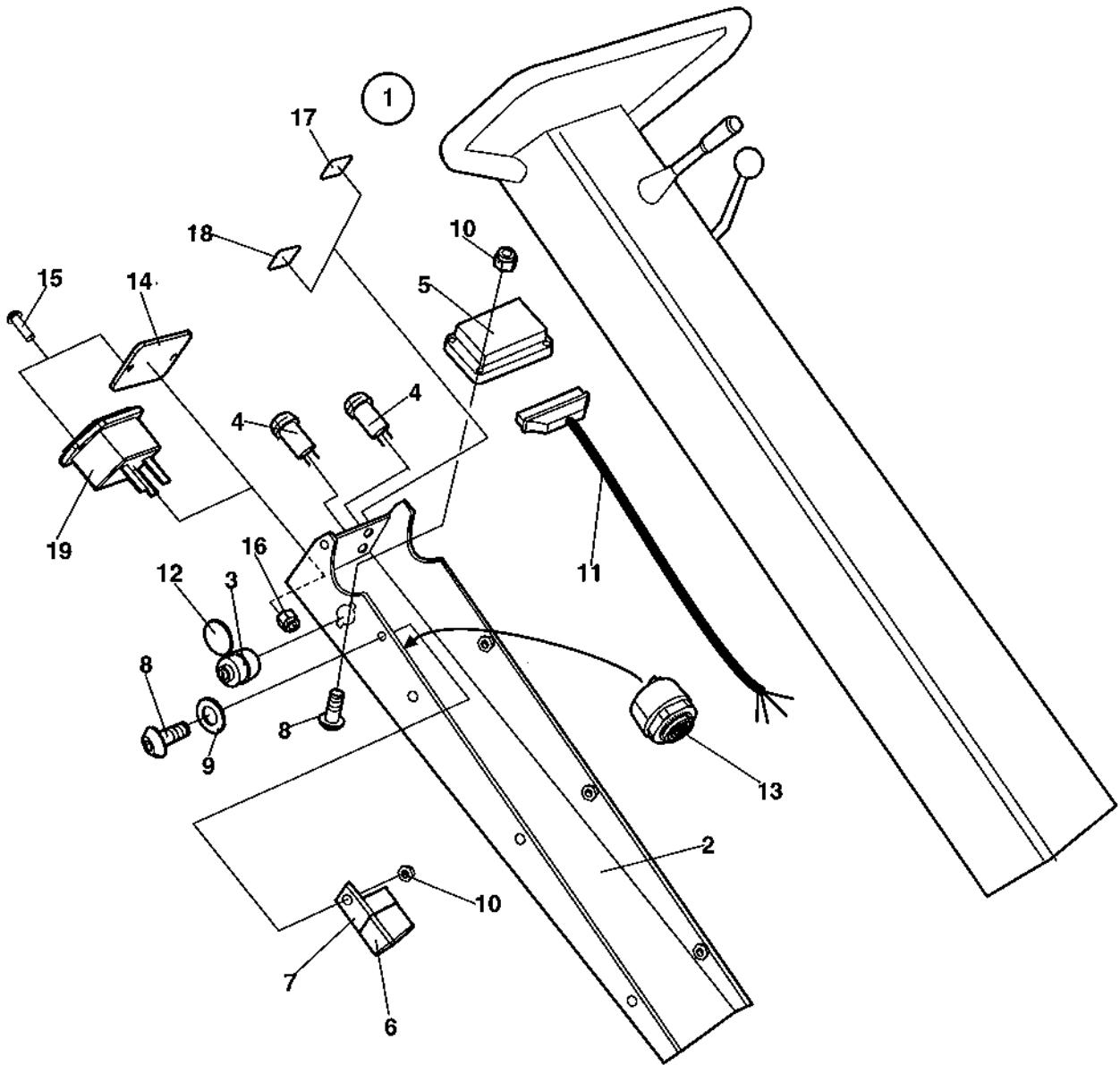
Item	Part No	Rem Qty	Description	Code
1	4700383562	1	Hydraulic pump	
2	4700928894	1	Sleeve	
3	4700792253	1	Elbow	
4	4700792443	1	Elbow connector 45	

Electrical equipment

Item	Part No	Rem Qty	Description	Code
15			Control panel (Page 46)	
20			Battery and battery box (Page 48)	

Control panel

18188



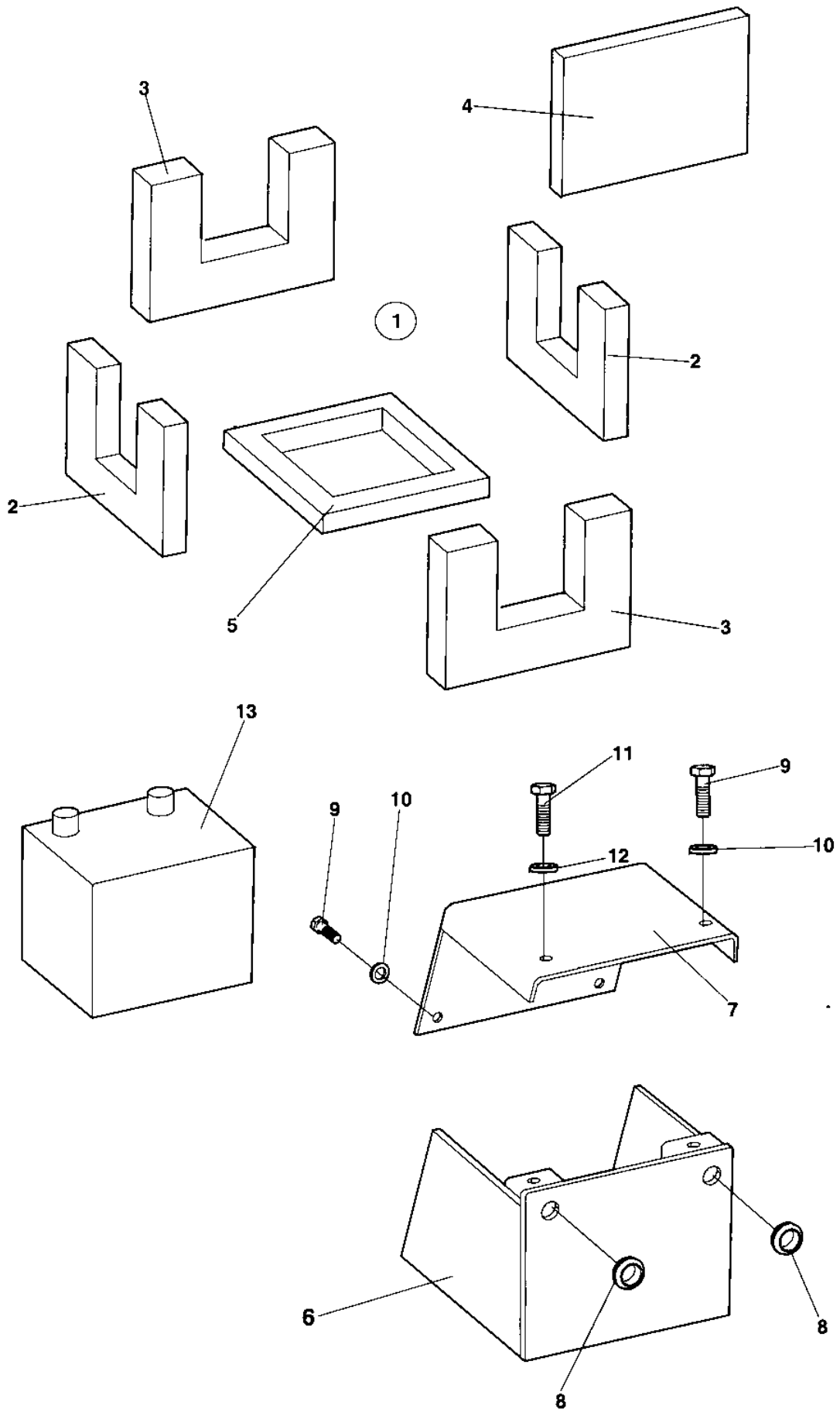
Control panel

Item	Part No	Rem	Qty	Description	Code
1			1	Control panel, cpl	
2	4700378223		1	.Control panel, cpl	
3	4700238158		1	.Ignition switch	
	4700238236		1	.Ignition key	D
4	4700791058		2	.Diode lamp	D
5				Not used on this model	D
6				Not used on this model	D
7				Not used on this model	D
8				Not used on this model	D
9				Not used on this model	D
10				Not used on this model	D
11	4700378225		1	.Cable harness	
12				Not used on this model	
13	4700385599		1	.Buzzer	B
14	4700376867		1	.Cover	
15	4700904967		2	.Screw	
16	4700928927		2	.Lock nut	
17	4700791436		1	.Decal "Charging"	D
18	4700791437		1	.Decal "OIL PRESSURE"	D
19	4700385600	A	1	Hour meter	
			1		

A) Option

Battery and battery box

17696



Battery and battery box

Item	Part No	Rem	Qty	Description	Code
1	4700281895		1	Isolation kit	
2			1	.Isolation	
3			1	.Isolation	
4			1	.Isolation	
5			1	.Isolation	
6	D281663-02		1	Battery box	
7	D281660-02		1	Cover	
8	4700929200		2	Grommet	
9	4700500019		4	Screw	M8x16H 8.8 A2K C
10	4700904229		4	Washer	8,4x16x1,5
11	4700500043		1	Screw	M10x16H 8,8 C
12	4700904557		1	Steel plain washer	
13		A	1	Battery	

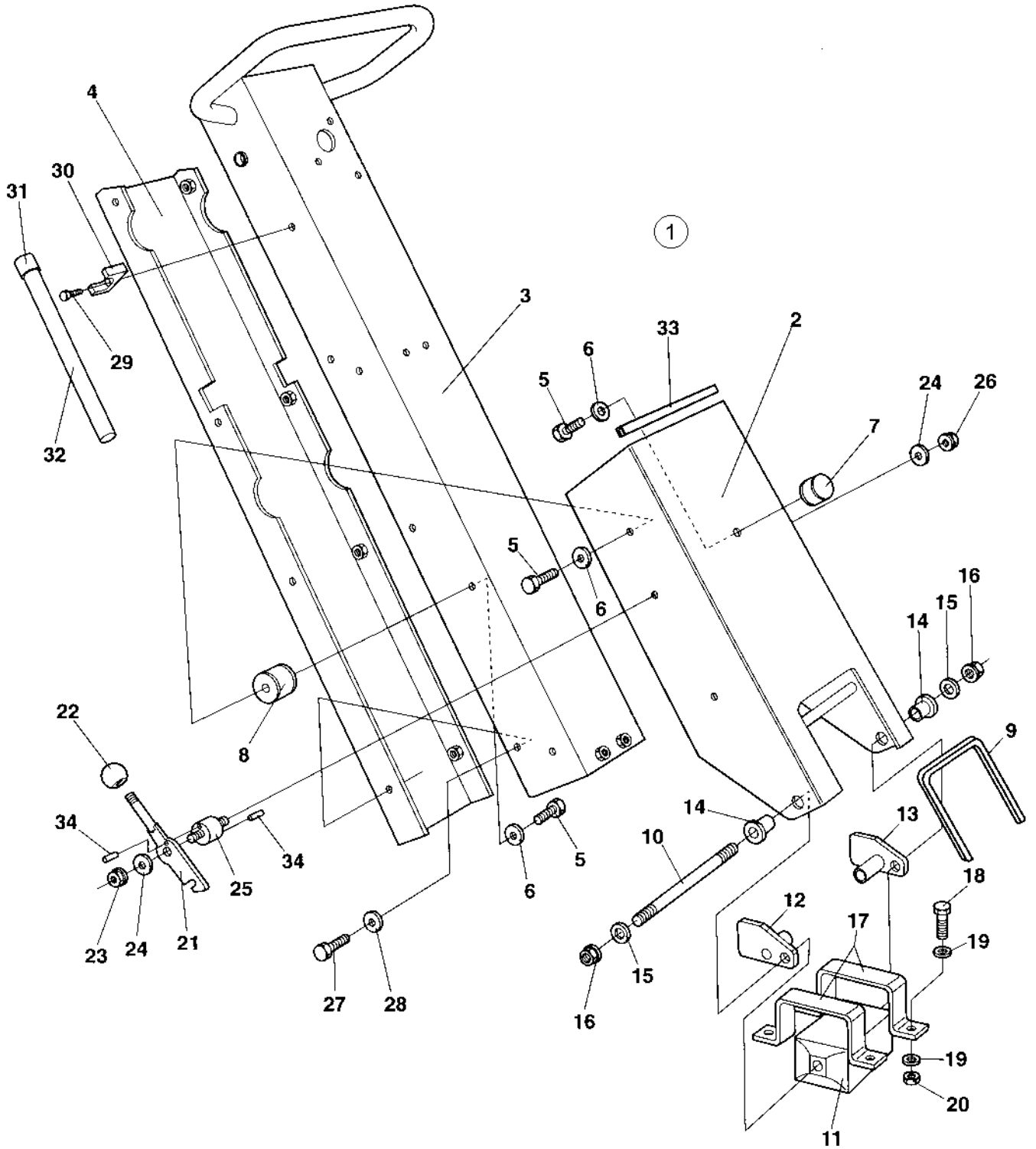
A) See section engine

Handle and controls

Item	Part No	Rem Qty	Description	Code
15			Handle (Page 52)	
40			Throttle control (Page 54)	

Handle

16063-1



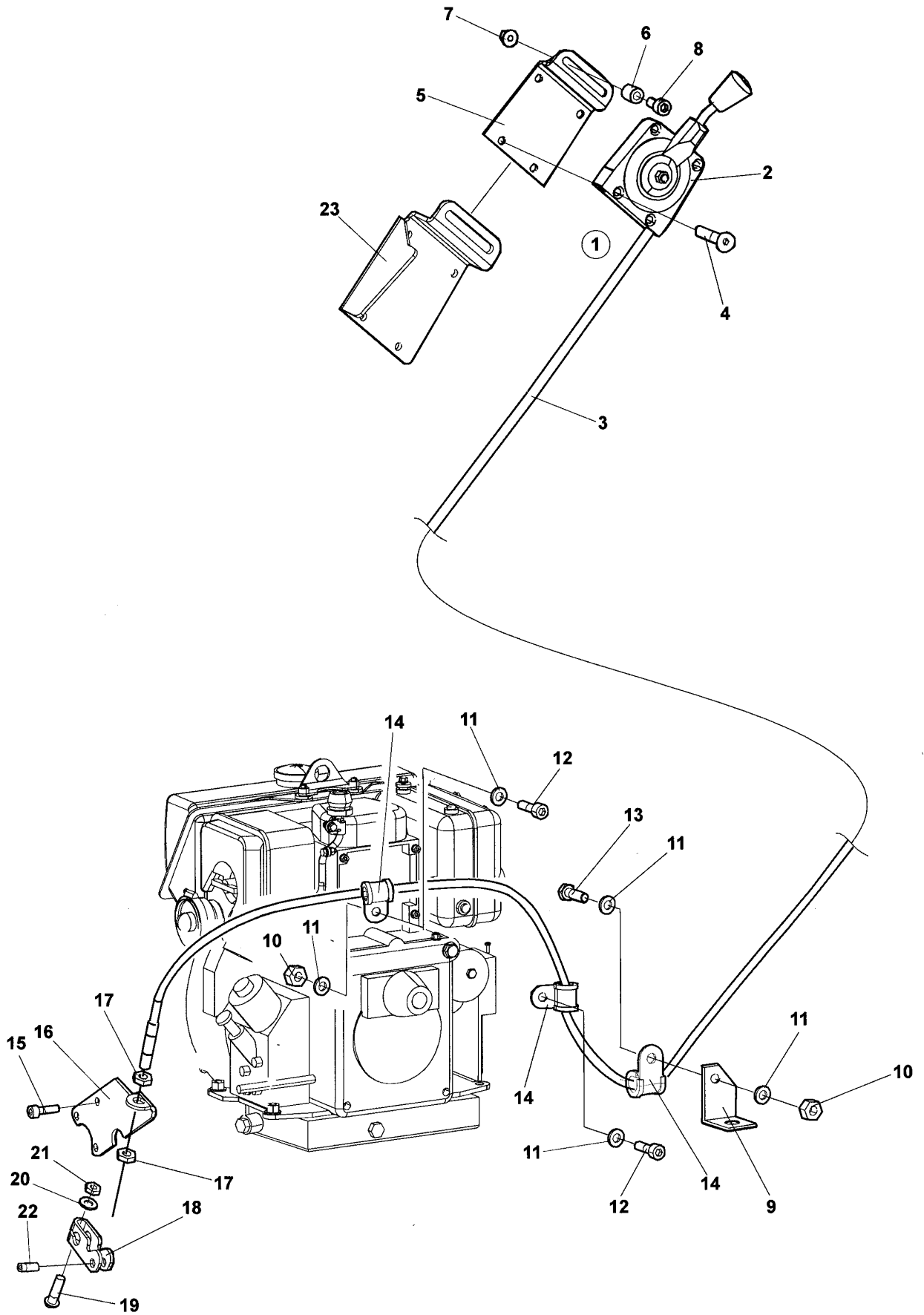
Handle

Item	Part No	Rem Qty	Description	Code
1	4700281505	1	Handle, cpl	
2	D282700-02	1	.Handle, lower	
3	D377310-02	1	.Handle	
4	4700377312	A 1	.Cover	
5	4700500043	9	.Screw	M10x16H 8,8
6	4700904230	9	.Steel plain washer	C
7	4700281804	1	.Rubber stop	D
8	D100900808	4	.Shock absorber	
9	4700902379	B 1XL	.Edge trim	
10	D100504231	1	.Stud	
11	D100900821	1	.Shock absorber	
12	D100505016	1	.Retainer, right	
13	D100505015	1	.Retainer, left	
14	D100504232	2	.Sleeve	
15	4700900994	2	.Lock washer	
16	4700581013	2	.Nut	
17	D100900822	2	.Retainer	
18	4700500194	4	.Screw	C
19	4700904703	8	.Washer	C
20	4700586019	4	.Lock nut	
21	4700282724	1	Hook	
22	4700281382	1	Ball knob	M12, D= 50mm
23	4700581012	1	Nut	
24	4700904557	2	Steel plain washer	
25	4700281431	1	Shock absorber	B
26	4700570006	1	Nut	C
27	4700500019	8	Screw	M8x16H 8.8 A2K
28	4700904229	8	Washer	8,4x16x1,5
29	4700281115	2	Screw	
30	4700281116	2	Ryw-clips	
31	4700281852	1	Oil drain, cpl	D
32	4700244059	1	Hose	D
33	4700926911	C 1XL	Rubber strip	
34	4700629059	2	Spirol pin	

- A) Hatz manual
- B) L=165MM
- C) 220MM

Throttle control

18692-1



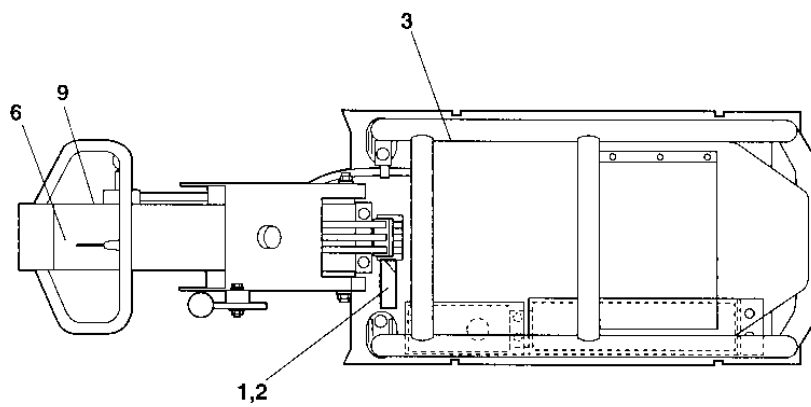
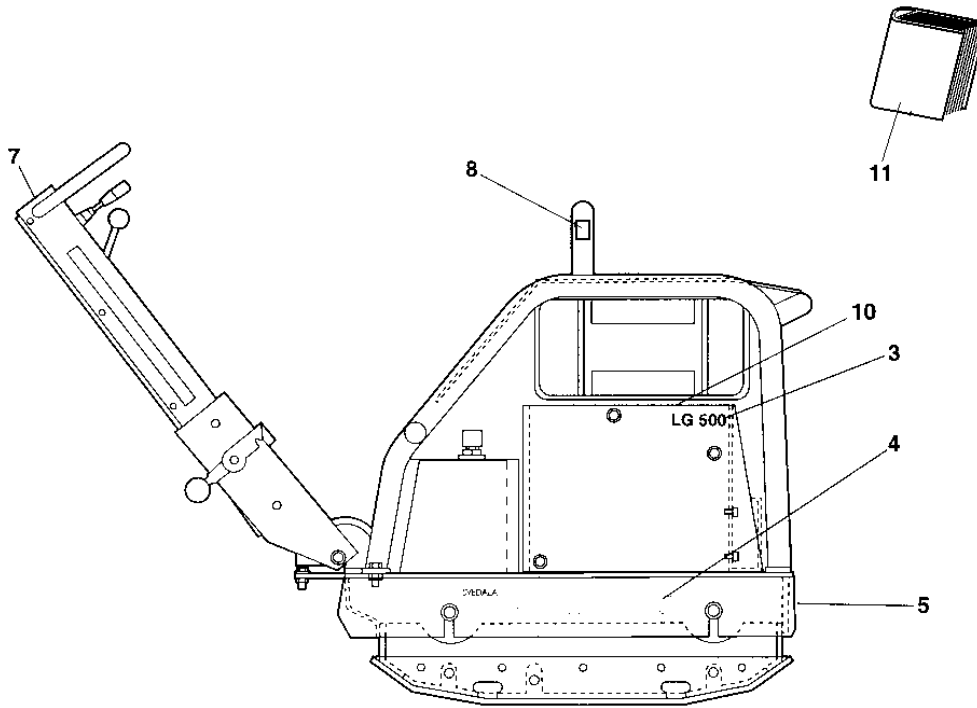
Throttle control

Item	Part No	Rem	Qty	Description	Code
1	4700397492		1	.Throttle control, cpl	D
2	4700455019		1	.Throttle handle	
	4700238443		1	..Square nipple	
3	4700380751		1	.Control cable	D
4	4700904687	A	4	Screw	M5X25
	4700904747	B	4	Screw	M5x30
5	4700284365	A	1	Bracket	
6	4700394417	F	1	Spacer	
7	4700902285	B	1	Nut	
8	4700508025		1	Screw	M6x20
9	4700282707		1	Bracket	
10	4700570004		3	Nut	M6X1,00 -8 A2K
11	4700904228		6	Washer	6,4x12x1,5
12		C	1	Screw	
13	4700500040		1	Screw	M6-1x20 8,8
14	4700921065		3	Clamp	
15		D	3	Screw	
16	4700281228		1	Bracket	
17		E	2	Nut	
18	4700239508	D	1	Throttle lever	
19		D	1	Screw	
20		D	1	Washer	
21		D	1	Nut	
22	4700281236		1	Nipple	
23	4812070115	B	1	Bracket	

- A) Old version
- B) New version
- C) Use existing screw
- D) Supplied with engine
- E) Not loose part, supplied with throttle cable
- F) Old version, use this spacer together with item 5

Decals and equipment

Item	Part No	Rem Qty	Description	Code
10			Decals and equipment (Page 58)	



Decals and equipment

Item	Part No	Rem Qty	Description	Code
1	4700281270	1	Sign plate	
2	4700527002	4	Drive screw	C
3	4700395397	2	Decal	LG500
4	4700379424	2	Decal "DYNAPAC"	
5	4700379423	1	Decal "DYNAPAC"	
6	4700904680	1	Decal "Read instruction manual"	
7	4700281898	1	Decal "Ear protection"	
8	4700281269	2	Decal "LIFT"	
9	4700284285	1	Decal	
10	4700903832	1	Safety decal	
11		1	Documentation	
		1	.Spare parts catalogue	SLG500
		1	.Instruction book, engine	
		1	.Operation	
12	4700791297	1	Decal "Sound power level"	109dB

NUMERICAL INDEX

Part Number	Page	Part Number	Page	Part Number	Page
4700111180	35	4700281194	33	4700383458	39
4700150002	21	4700281201	27	4700383562	43
4700150012	35	4700281202	27	4700384230	41
4700150020	19	4700281228	55	4700385599	47
4700150033	19	4700281236	55	4700385600	47
4700151019	35	4700281269	59	4700386311	33
4700151039	21	4700281270	59	4700386312	33
4700160110	41	4700281276	21	4700386313	13
4700162011	19	4700281375	39	4700386316	13
4700202028	9	4700281382	53	4700386349	7
4700232143	19	4700281431	53	4700386369	13
4700234481	39	4700281475	11	4700386393	13
4700238158	47	4700281484	7,11	4700386599	13
4700238236	47	4700281485	7,11	4700386612	7
4700238443	55	4700281505	53	4700389108	11
4700239326	25	4700281804	53	4700394417	55
4700239333	25	4700281852	25,53	4700394699	13
4700239335	25	4700281879	15	4700394700	29
4700239382	25	4700281895	49	4700395242	25
4700239421	25	4700281896	27	4700395243	25
4700239423	25	4700281898	59	4700395397	59
4700239428	25	4700282704	7	4700397492	55
4700239508	27,55	4700282707	55	4700421246	33
4700239516	25	4700282714	7	4700455019	55
4700239517	25	4700282724	53	4700480124	41
4700239518	25	4700283075	7	4700484208	39
4700239519	25	4700284285	59	4700500019	27,49,53
4700239520	25	4700284365	55	4700500021	13,41
4700239521	25	4700313003	39	4700500022	9,33
4700239522	25	4700313041	39	4700500025	39
4700239523	25	4700313108	39	4700500026	39
4700239524	25	4700350036	33	4700500028	7
4700239525	25	4700373476	13	4700500029	13
4700239526	25	4700376674	41	4700500032	41
4700239527	25	4700376675	41	4700500035	7,13
4700239529	25	4700376676	41	4700500040	19,55
4700239530	25	4700376867	47	4700500043	49,53
4700239531	25	4700377312	53	4700500048	7,13,19,33
4700239532	25	4700377776	19	4700500051	7,11,13,35
4700239533	25	4700377986	19	4700500056	13
4700239534	25	4700378060	35	4700500058	25
4700239550	25	4700378061	35	4700500079	39
4700239553	25	4700378216	19	4700500101	7,15
4700239882	25	4700378223	47	4700500133	15
4700239883	25	4700378225	47	4700500161	15
4700239886	25	4700379079	19	4700500194	53
4700239887	25	4700379080	19	4700508005	9,27
4700244059	27,53	4700379081	19	4700508025	19,55
4700280432	19	4700379121	19	4700508028	7,9,11
4700280434	9	4700379423	59	4700508036	7,11
4700280436	19	4700379424	59	4700508092	25
4700280442	19	4700380517	35	4700508096	25
4700280448	19	4700380751	55	4700527002	59
4700280449	19	4700381385	41	4700570004	55
4700280450	19	4700381563	41	4700570005	27,39
4700280454	7,11	4700381566	41	4700570006	13,53
4700280534	39	4700381902	15	4700570008	7,11
4700280544	7,15	4700381903	15	4700581012	53
4700280888	15	4700382008	15	4700581013	53
4700281115	27,53	4700383038	41	4700586018	15
4700281116	27,53	4700383039	41	4700586019	15,53
4700281183	27	4700383353	41	4700586021	7,11

NUMERICAL INDEX

Part Number	Page	Part Number	Page	Part Number	Page
4700600009	15	4700936595	39		
4700615042	39	4700936922	25		
4700615043	39	4700937428	25		
4700615047	7,15	4700937873	25		
4700629059	53	4700937924	39		
4700629062	21	4700938163	39		
4700747541	7,9,11	4700938278	25		
4700791058	47	4700938724	33		
4700791297	59	4700938725	33		
4700791397	39	4700938726	33		
4700791436	47	4700938727	33		
4700791437	47	4700939355	33		
4700792253	43	4700939356	33		
4700792443	43	4700939357	33		
4700900994	53	4700939359	33		
4700902285	39,55	4700939360	33		
4700902286	7,11,39	4700939361	33		
4700902287	15	4700939362	33		
4700902379	53	4700939363	33		
4700902520	7,11	4811000187	39		
4700903821	39	4812070042	19		
4700903832	59	4812070043	21		
4700904213	9,11,13,33	4812070044	21		
4700904228	19,55	4812070052	21		
4700904229	9,27,41,49,53	4812070073	19		
4700904230	15,53	4812070093	19		
4700904232	7,11	4812070115	55		
4700904341	15	4812070359	21		
4700904556	13,27,33	4812070362	21		
4700904557	13,49,53	4812070363	21		
4700904558	7,11	4812070426	39		
4700904680	59	4812070427	39		
4700904687	55	4812155299	7,11		
4700904703	29,53	4812155351	33		
4700904747	55	4812155355	7		
4700904960	41	D100504231	53		
4700904967	47	D100504232	53		
4700921065	55	D100505015	53		
4700924543	7,35	D100505016	53		
4700926911	53	D100505023	39		
4700928381	25	D100505042	39		
4700928441	7	D100900808	53		
4700928786	19	D100900821	53		
4700928787	19	D100900822	53		
4700928788	19	D280772-01	27		
4700928791	19	D281482-01	7,11		
4700928794	19	D281490-01	7,11		
4700928796	19	D281660-02	49		
4700928798	19	D281663-02	49		
4700928849	29	D282700-02	53		
4700928894	43	D377310-02	53		
4700928927	47	D386314-02	13		
4700928944	9	D386315-02	13		
4700929200	49	D386614-02	13		
4700935608	25				
4700935609	25				
4700935610	25				
4700935611	25				
4700935612	25				
4700935752	25				
4700935753	25				
4700935942	25				