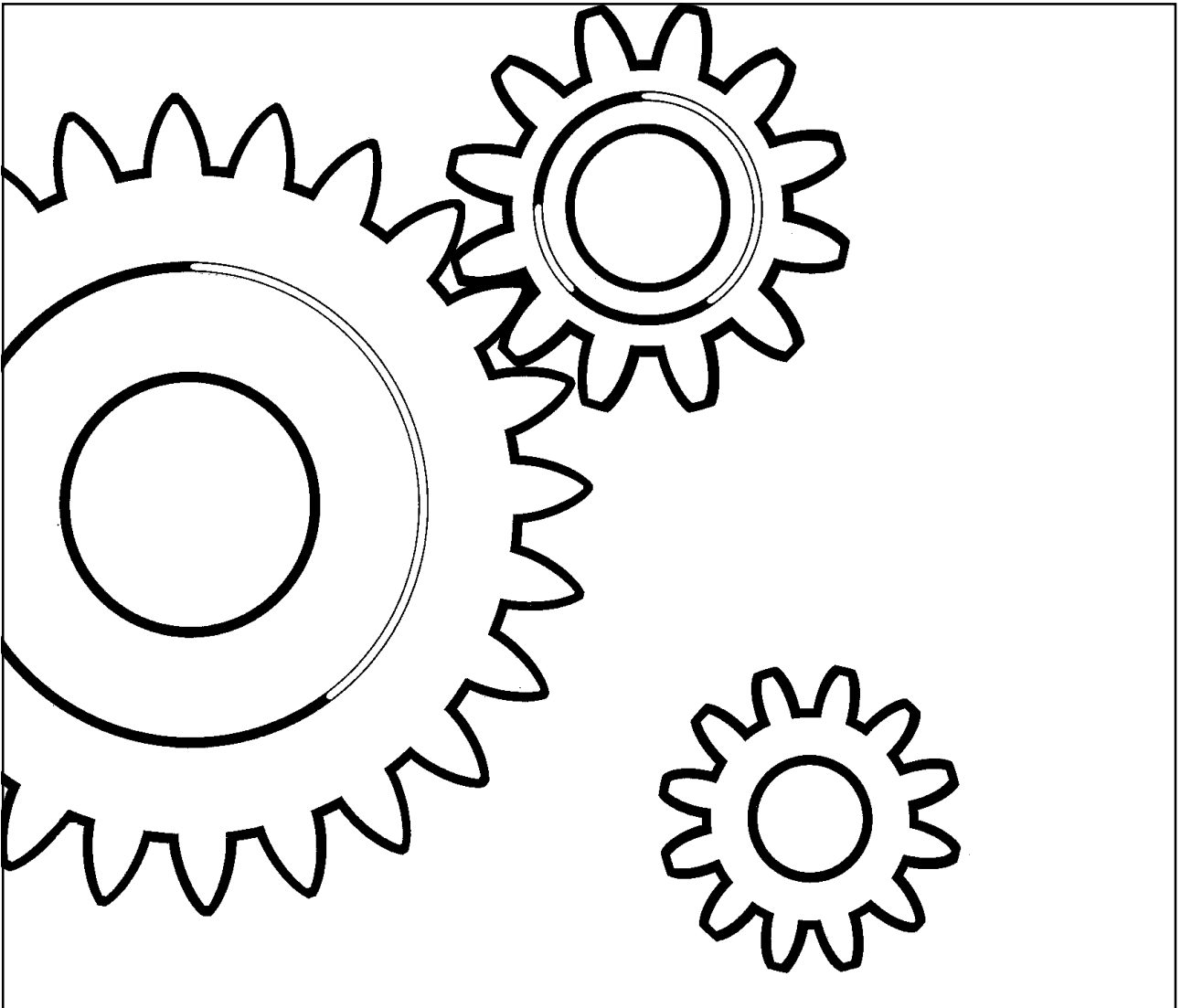


DYNAPAC LH700 SPARE PARTS CATALOGUE

SLH700-1EN7



DYNAPAC

Part of the Atlas Copco Group

Box 504, SE-371 23 Karlskrona, Sweden

Phone: +46 455 30 60 00, Fax: +46 455 30 60 10

www.dynapac.com

Forward and Reverse Plate Compactor LH700 Spare Parts Catalogue

SLH700-1EN7

Valid from serial number:

70030178-

Engines:

Hatz 1D90V

Published catalogue issues valid for these plate:

<i>Catalogue</i>	<i>Issue date</i>	
<i>SLH700-1EN1</i>	<i>1999 - 03</i>	<i>Replaced by SLH700-1EN2</i>
<i>SLH700-1EN2</i>	<i>1999 - 12</i>	<i>Replaced by SLH700-1EN3</i>
<i>SLH700-1EN3</i>	<i>2000 - 05</i>	<i>Replaced by SLH700-1EN4</i>
<i>SLH700-1EN4</i>	<i>2004 - 02</i>	<i>Replaced by SLH700-1EN5</i>
<i>SLH700-1EN5</i>	<i>2005 - 04</i>	<i>Replaced by SLH700-1EN6</i>
<i>SLH700-1EN6</i>	<i>2007 - 06</i>	<i>Replaced by SLH700-1EN7</i>



RESERVDLSBESTÄLLNING

Följande uppgifter ska lämnas vid beställning av reservdelar för att undvika leveransfel:

1. Maskintyp.
2. Vältens serienummer.
3. Antal av önskad reservdel.
4. Reserdelens artikelnummer.
5. Reservdelens benämning.
6. Måttuppgifter vid beställning av metervara.

ORDERING SPARE PARTS

To avoid errors in delivery, please give the following information when ordering spare parts:

1. Type of machine.
2. Roller serial number.
3. Quantity required.
4. Part number.
5. Parts denomination.
6. Dimensions when ordering per length.

ERSATZTEILBESTELLUNG

Zur Vermeidung von Fehllieferungen sind bei der Bestellung von Ersatzteilen folgende Angaben zu machen:

1. Maschinentyp.
2. Herstellungsnummer.
3. Bestellmenge. (Quantity)
4. Ersatzteilnummer. (Part N°)
5. Ersatzteilbenennung. (Denomination)
6. Massangaben bei Bestellung von Meterware.

ORDINI DI RICAMBI

Per evitare errori nelle consegne di ricambi, Vi preghiamo di comunicarci le seguenti informazioni al momento dell'ordinazione:

1. Tipo di macchina.
2. Numero di serie della macchina.
3. Quantità dei pezzi desiderati. (Quantity)
4. Numero di codice del pezzo. (Part N°)
5. Descrizione del pezzo di ricambio. (Denomination)
6. Misura, in caso di ordine per metro.

PEDIDO DE RECAMBIOS

Para evitar errores en las entregas, deberán indicarse los siguientes datos al hacer un pedido de recambios:

1. Tipo de máquina.
2. Número de serie.
3. Cantidad de piezas deseadas. (Quantity)
4. Número de artículo de la pieza de recambio. (Part N°)
5. Denominación de la pieza. (Denomination)
6. Indíquese la medida al solicitar un artículo que se expide por metros.

COMMANDE DE PIÈCES DE RECHANGE

Les indications suivantes doivent être fournies lors de la commande de pièces de rechange, afin d'éviter toute erreur de livraison:

1. Type de machine.
2. Numéro de série.
3. Quantité désirée de pièce de rechange. (Quantity)
4. Numéro de la pièce de rechange. (Part N°)
5. Dénomination de la pièce de rechange. (Denomination)
6. Longueur en cas de commande au mètre.

YOUR AGENT/DEALER:

DYNAPAC

Text pages

The text pages is structured as the picture on the right.

1. This is the remarks for specific items and the descriptions of the remarks is at the bottom of the parts list.
2. Parts indicated by a dot and moved to the right are included when buying the assembled unit above.
3. Spare parts and service code for a specific part, mainly for internal use at Dynapac. "A" = Service part, "B" = Fast moving part, "C" = Suggested exchanged part and "D" = Regular spare part.

DYNAPAC				Metso Dynapac AB	
Cooling system					
Ref. No.	Part No.	Rem.	Qty	Description	Code
1	223047		1	Water cooler	③ C
2	935852		1	Radiator cap	D
3	935851	①	1	Cock	
4	373263	A	1	Radiator hose	D
5	313009		6	Clamp	
6	205058	B	1XL	Rubber clutch	
7	373261	C	1	Radiator hose	D
8			1	Oil cooler	D
9	223289		1	Plate	
10	902166	D	1XL	Edge trim	
11	223287	E	1	Holder	
12	223288	F	1	Holder	
13	908168		1	Fan guard	
14	908170		1	Fan shroud	
15	908171		2	Mounting bar	
16	908169		1	Fan guard	
17	500021		14	Screw	
18	902286		14	Nut	
19	600006		14	Washer	
20	313102		2	Cable strap	

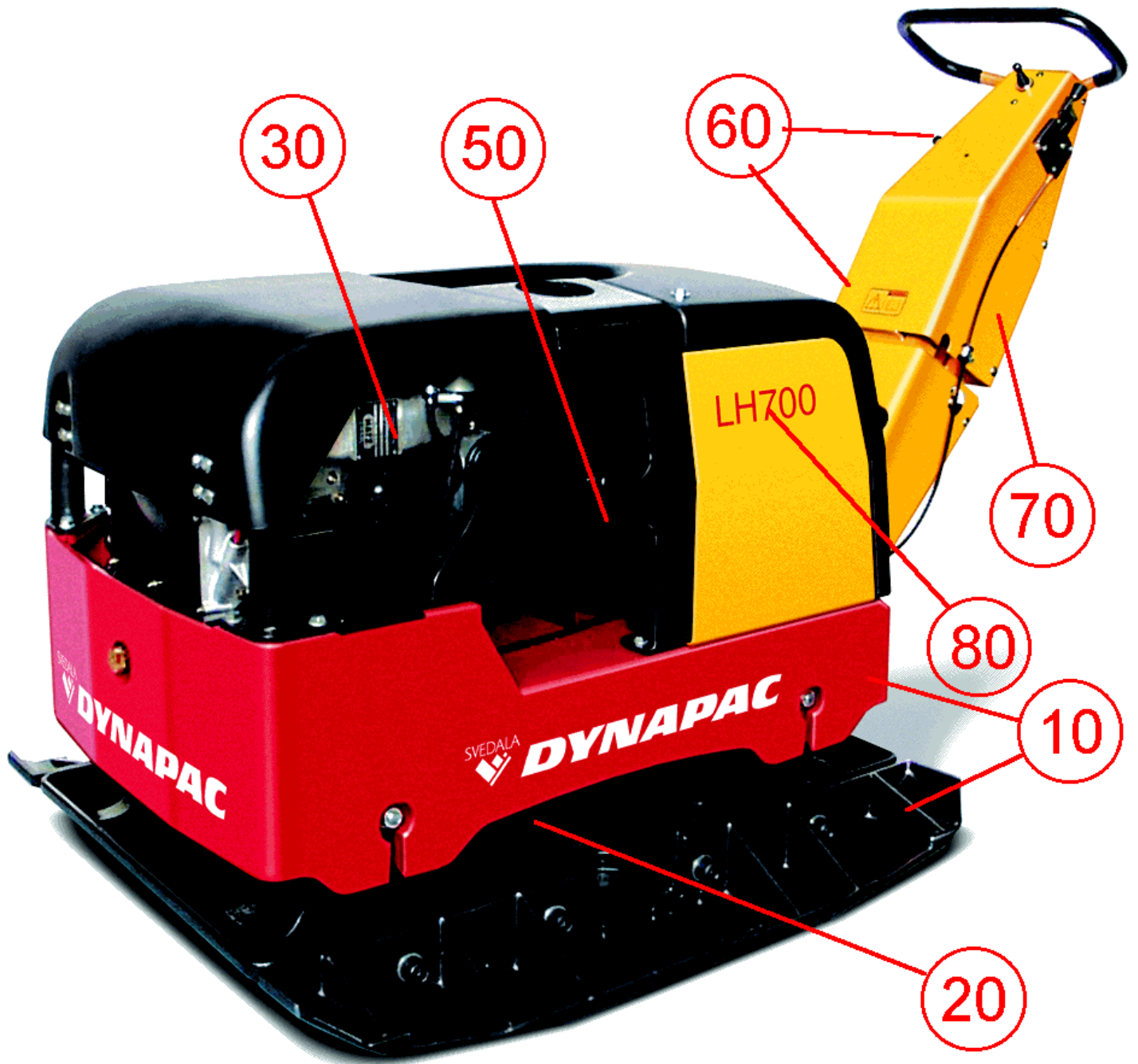
① A) Upper
 B) L=060MM
 C) Lower
 D) L=2280MM
 E) Left
 F) Right

Changes

PARTS INFO	SERVICE INFO	GROUP	PAGE	NOTES

Notes

LH700 SN 70030178 -	2
Ground plate, engine plate and frame	4
Ground plate, engine plate and frame	6
Option	10
Option, Noise suppression Up to SN 70030392	12
Noise suppression From SN 70030393	14
Hydraulic tank	16
Eccentric element	18
Eccentric element	20
Engine	24
Engine, Hatz 1D90V Up to SN 70030393	26
Engine, Hatz 1D90V From SN 70030393	28
Fuel tank with singel fuel outlet	30
Fuel tank with dual fuel outlet	32
Engine installation Up to SN 70030392	34
Engine installation From SN 70030393	36
Hydraulic system	38
Hydraulic system	40
Hydraulic block	42
Electrical equipment	44
Electrical equipment Up to SN 70030392	46
Electrical equipment From SN 70030393	48
Joystick	52
Fan Up to SN 70030392	54
Fan From SN 70030393	56
Handle	58
Handle Up to S/N: 70030599	60
Handle From S/N: 70030600	62
Decals and documentation	66
Decals and documentation	68



LH700 SN 70030178 -

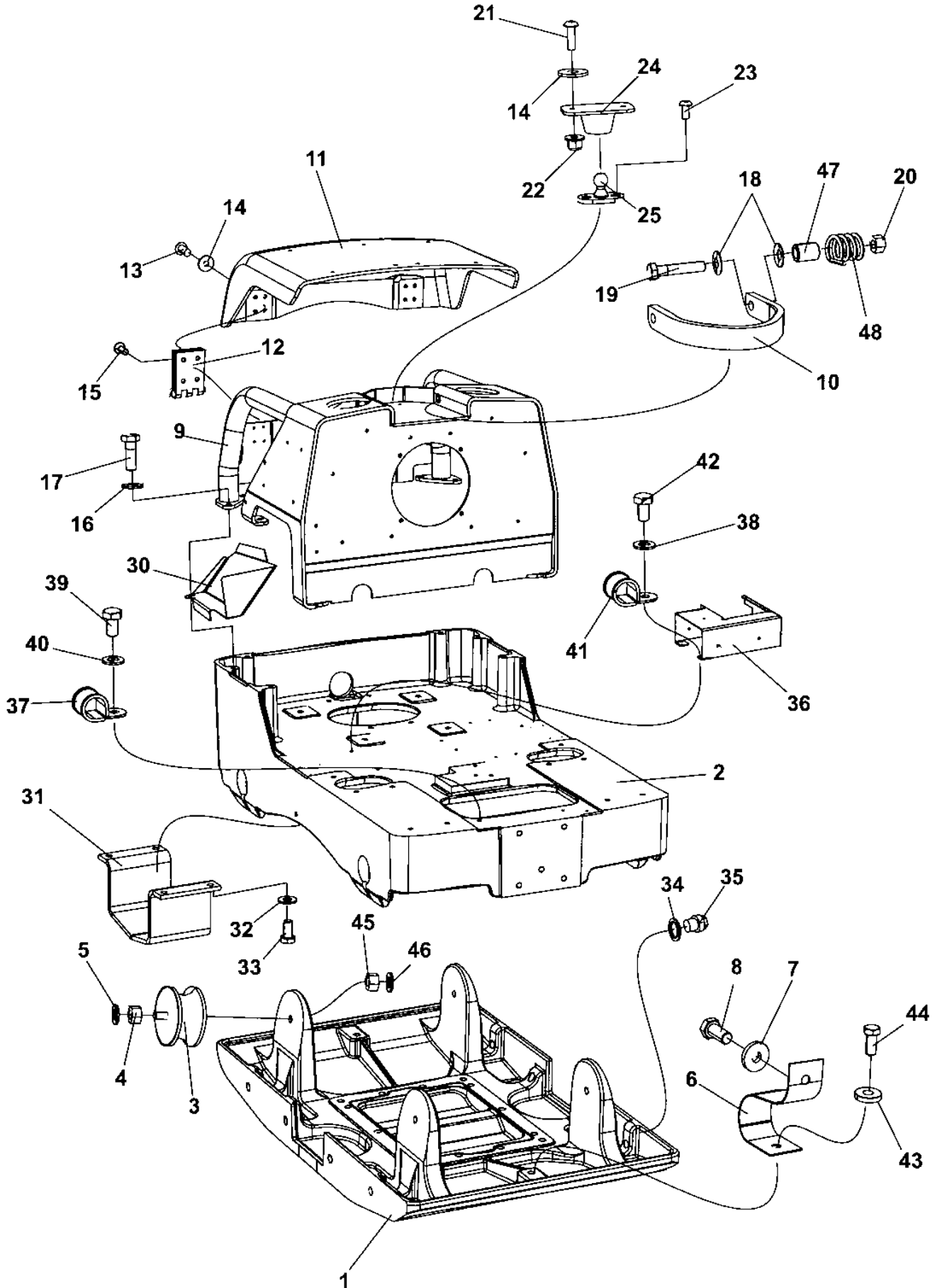
Item	Part No.	Rem. Qty	Description	Code
10			Ground plate, engine plate and frame (Page 4)	
20			Eccentric element (Page 18)	
30			Engine (Page 24)	
50			Hydraulic system (Page 38)	
60			Electrical equipment (Page 44)	
70			Handle (Page 58)	
80			Decals and documentation (Page 66)	

Ground plate, engine plate and frame

Item	Part No.	Rem. Qty	Description	Code
10			Ground plate, engine plate and frame (Page 6)	
15			Option (Page 10)	
18			Option, Noise supression (Page 12)	Up to SN 70030392
19			Noise suppression (Page 14)	From SN 70030393
20			Hydraulic tank (Page 16)	

Ground plate, engine plate and frame

18790



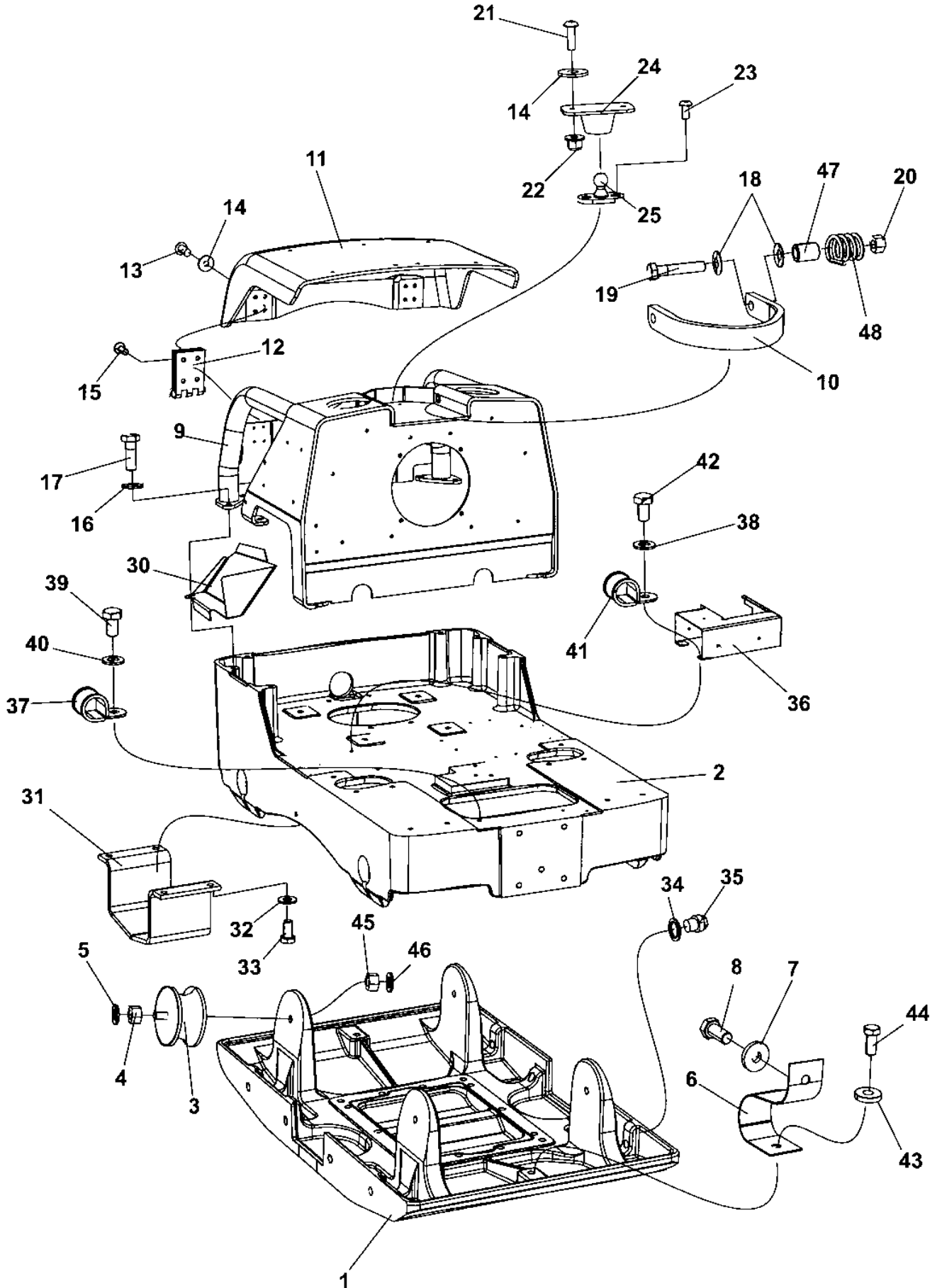
Ground plate, engine plate and frame

Item	Part No.	Rem. Qty	Description	Code
1	4700284046	F 1	Ground plate Up to 70030262	
	4700386686	G 1	Ground plate From 70030263	
2	D284094-01	1	Engine plate	
3	4700281590	4	Shock absorber	
4	4700904232	4	Washer	
5	4700570008	4	Nut	M16 -8
6	4700283075	A 2	Strap	
	4700381623	B 2	Strap	
7	4700924543	D 4	Washer	
	4700924543	E 2	Washer	
8	4700947686	D 4	Screw	M12-1,75x25
	4700947686	E 2	Screw	M12-1,75x25
9	4700284086	1	Protective frame Up to 70030392	
	D381811-03	1	Protective frame From 70030393	
10	D284237-03	J 1	Lifting lug	
	4700394372	K 1	Lifting lug	
11	4700284095	1	Hood Up to 70030392	
	4700383387	1	Hood From 70030393	
12	4700381882	2	Hinge	
13	4700904650	8	Screw	
14	4700904655	10	Washer	
15	4700904649	8	Screw	
16	4700904230	8	Washer	
17	4700947683	8	Screw	
18	4700904742	L 4	Washer	
	4700904213	M 4	Washer	
19	4700500049	L 2	Screw	
	4700500196	M 2	Screw	M12-1,75x80 8.8
20	4700570007	2	Hexagon nut	M12
21	4700904653	2	Screw	M5x16 A2-70
22	4700902284	2	Nut	M5
23	4700903658	2	Screw	M5x10
24	4700450066	1	Door bumper	D
25	4700791169	1	Door bumper	D
30	4700284349	1	Bracket Up to 70030392	
31	4700284314	1	Bracket	
32	4700904230	4	Washer	
33	4700500048	4	Screw	M10-1,5x20 8,8
34	4700162010	C,D 1	Seal ring	D

- A) Old version with two 13mm holes
- B) New version with one 13mm and one 17mm hole
- C) Oil drain
- D) Old version
- E) New version
- F) Old version with 10 threaded holes for the eccentric element
- G) New version with 14 threaded holes for the eccentric element
- J) Old version, with two holes, diameter 13 mm
- K) New version with two holes, diameter = 20 mm
- L) Old version, use together with old lifting lug D284237-03
- M) New version, use together with new lifting lug 4700394372

Ground plate, engine plate and frame

18790

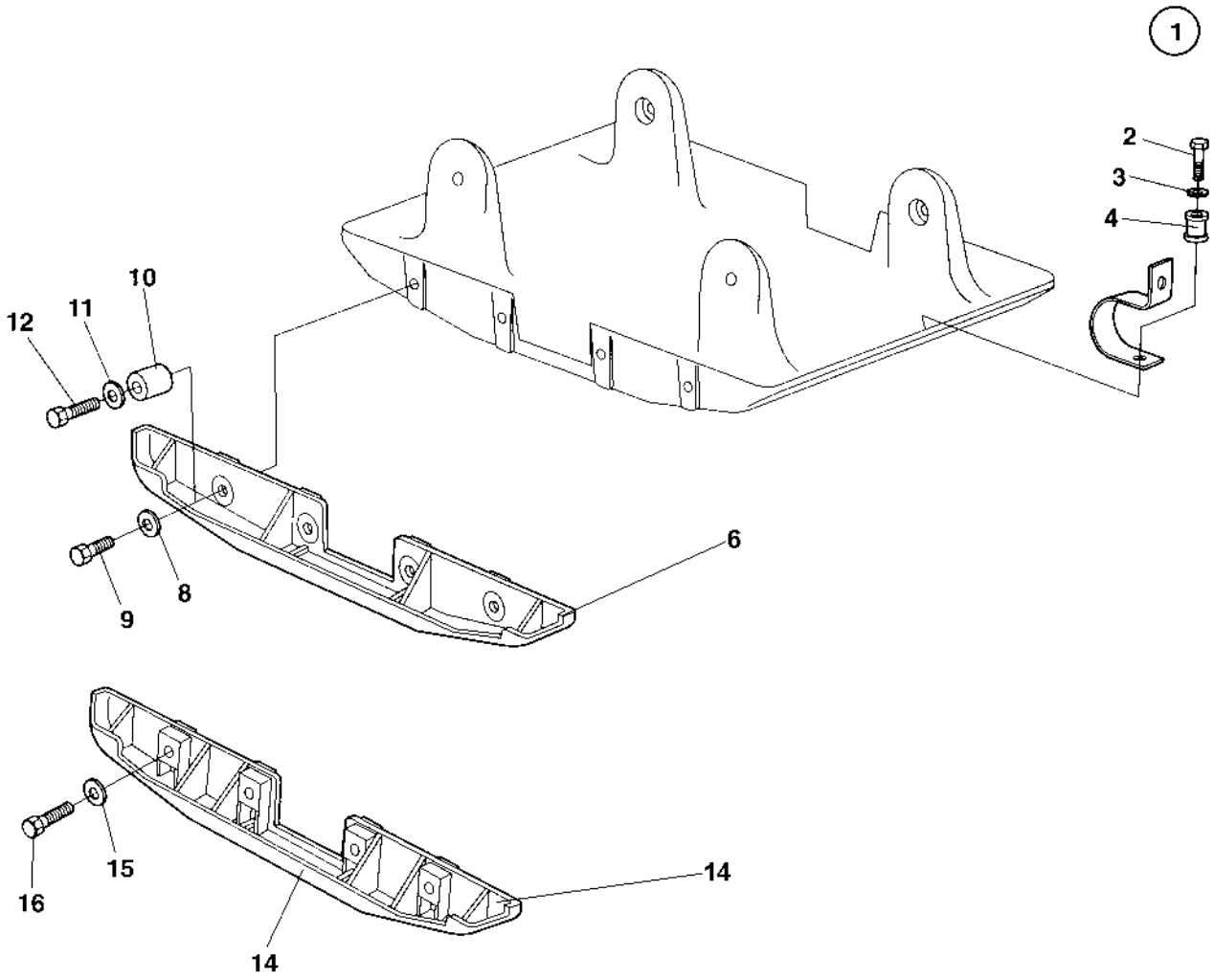


Ground plate, engine plate and frame

Item	Part No.	Rem. Qty	Description	Code
35	4700232246	C,D 1	Plug	
36	4700381295	1	Air inlet Up to 70030392	
		E,H 1	Air inlet From 70030393	
37	4700960727	1	Clamp	
38	4700904228	4	Washer	6,4x12x1,5
39	4700500188	1	Screw	M8-1,25x14 8,8
40	4700904229	1	Washer	8,4x16x1,5
41	4700921036	1	Clamp	
42	4700500013	4	Screw	M6-1x16 8,8
43	4700603007	E 2	Washer	
44	4700500154	E 2	Screw	M16-2,0x25 8,8
45	4700904232	I 4	Washer	
46	4700570008	I 4	Nut	M16 -8
47	4700394099	M 2	Spacer	
48	4700395689	M 2	Spring	

- C) Oil drain
- D) Old version
- E) New version
- H) See section engine installation from SN 70030393
- I) Old version, not in use anymore
- M) New version, use together with new lifting lug 4700394372

Option
17091



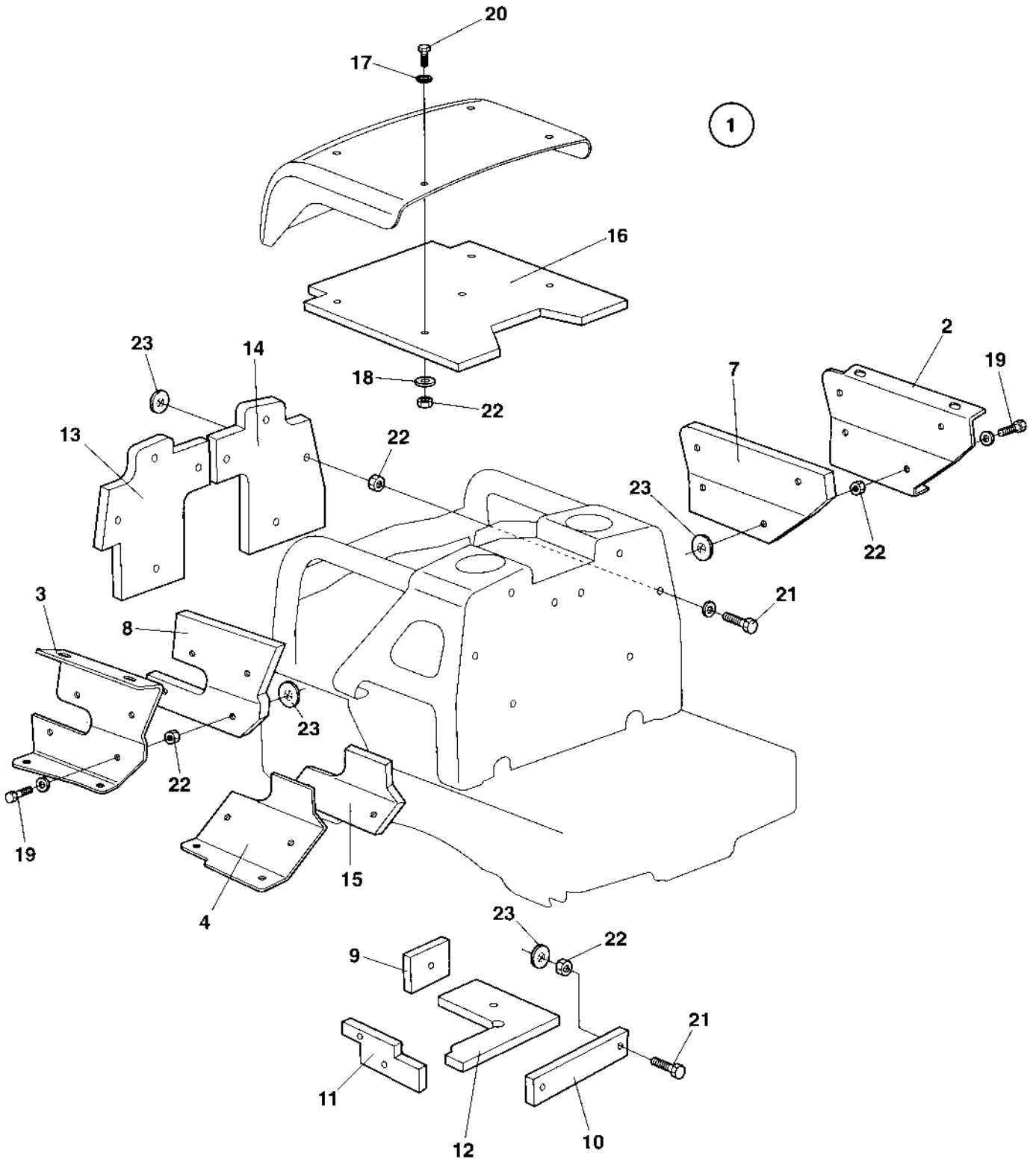
Option

Item	Part No.	Rem. Qty	Description	Code
1		1	Eyelet, cpl	
2	4700500135	1	.Screw	
3	4700603007	1	.Washer	
4	4700381590	1	.Spacer sleeve	
6	4700284050 B	1	Extension plate	
	4700284048 A	1	Extension plate	
8	4700904233 F,G	4	Washer	21x36x3
9	4700927411 F,G	4	Screw	
10	4700380690 C,F	4	Spacer	
11	4700904233 F,G	4	Washer	21x36x3
12	4700925208 F,G	4	Screw	M20x90
14	D382076-03 D	1	Extension plate	
	4700382077 E	1	Extension plate	
15	4700904233 F	4	Washer	21x36x3
16	4700925208 F	4	Screw	M20x90

- A) Width=75mm, old version replaced by 1X4700382076, 4X4700904233 and 4X4700925208
- B) Width=150mm, old version replaced by 1X4700382077, 4X4700904233 and 4X4700925208
- C) Use together with screw 4700925208
- D) New design, Widht=75mm
- E) New design, Widht=150mm
- F) 4 psc. needs to mount one extension plate.
- G) Old version

Option, Noise suppression Up to SN 70030392

17092

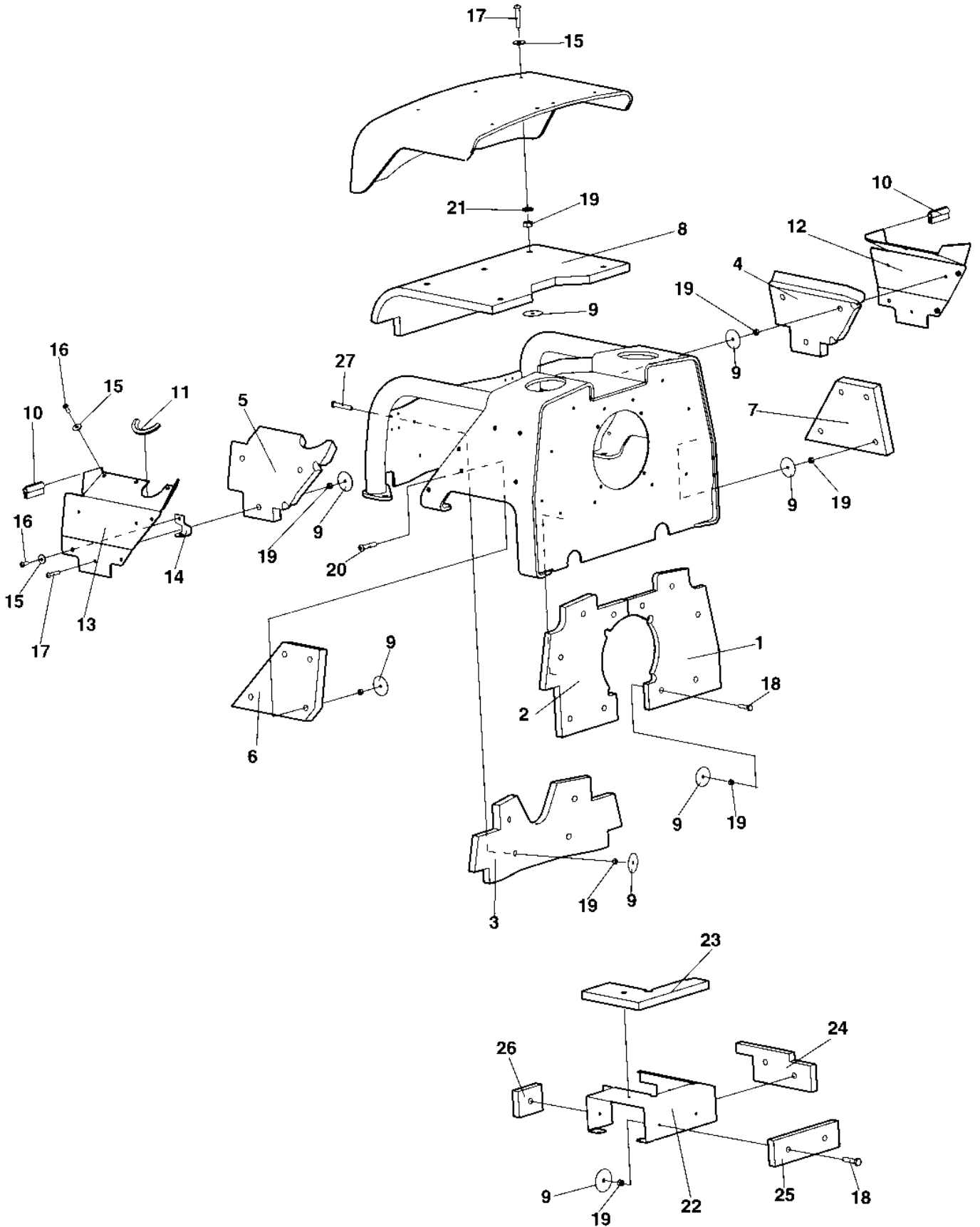


Option, Noise suppression Up to SN 70030392

Item	Part No.	Rem. Qty	Description	Code
1		1	Noise suppression, cpl	
2	4700381307	1	.Cover plate	
3	4700381308	1	.Cover plate	
4	4700381301	1	.Cover plate	
5	4700904640	4	.Washer	8,4x22x3
6	4700500053	4	.Screw	M8x20H 8.8
7	4700381635	1	.Insulation	
8	4700381542	1	.Insulation	
9	4700381543	1	.Insulation	
10	4700381544	1	.Insulation	
11	4700381545	1	.Insulation	
12	4700381546	1	.Insulation	
13	4700381547	1	.Insulation	
14	4700381548	1	.Insulation	
15	4700381549	1	.Insulation	
16	4700381550	1	.Insulation	
17	4700904655	5	.Washer	
18	4700904228	5	.Washer	6,4x12x1,5
19	4700904209	8	.Screw	
20	4700904798	5	.Screw	
21	4700500075	16	.Screw	M6-1,0x25 8.8
22	4700570004	29	.Nut	M6X1,00 -8 A2K
23	4700373476	29	.Insulating washer	

Noise suppression From SN 70030393

17275



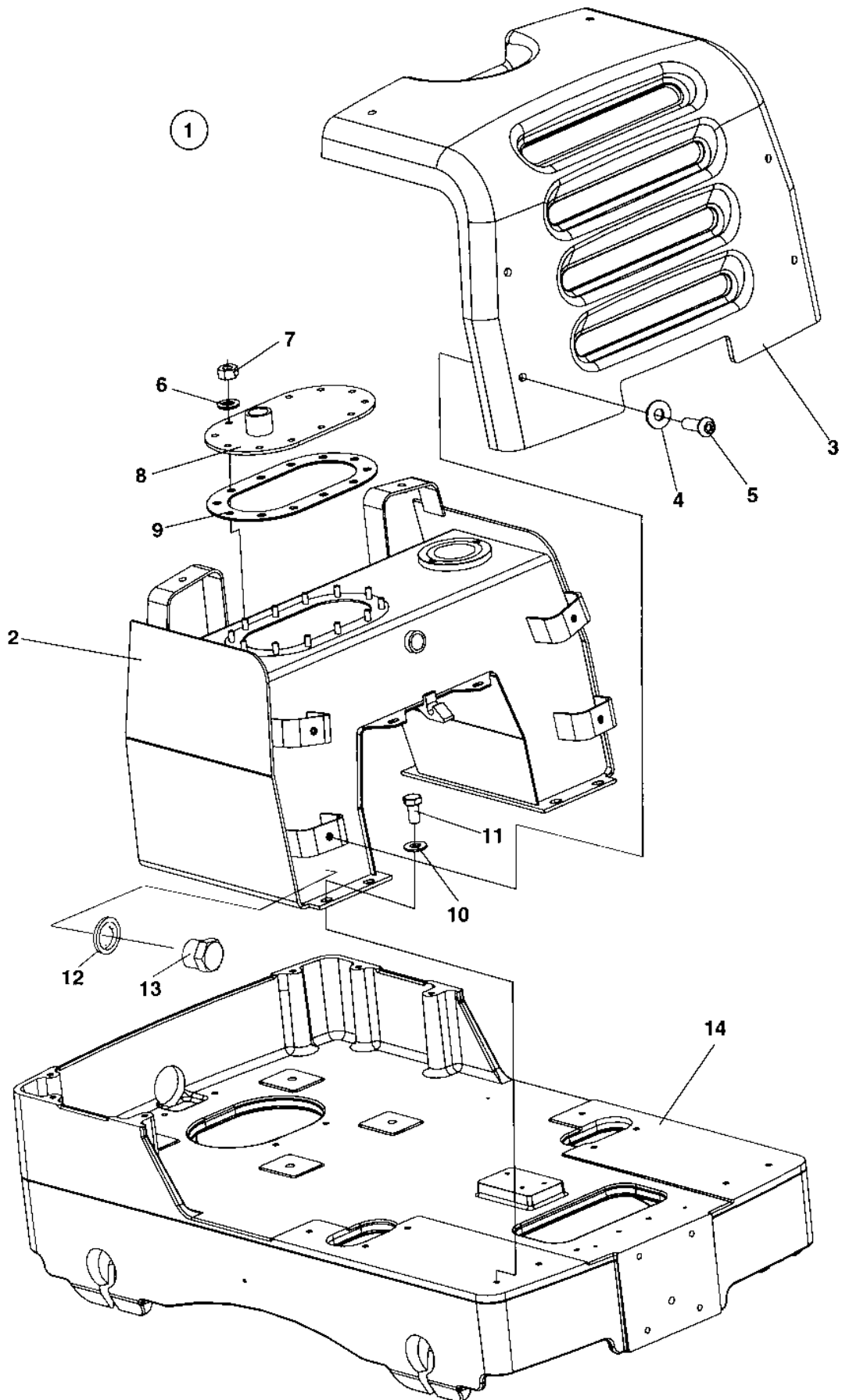
Noise suppression From SN 70030393

Item	Part No.	Rem. Qty	Description	Code
1	4700383380	1	Insulation	
2	4700383379	1	Insulation	
3	4700383385	1	Insulation	
4	4700383383	1	Insulation	
5	4700383384	1	Insulation	
6	4700383381	1	Insulation	
7	4700383382	1	Insulation	
8	4700383398	1	Insulation	
9	4700373476	39	Insulating washer	
10	4700904076	B 2XL	Edge trim	
11	4700202028	A 1XL	Edge trim	
12	4700382910	1	Plate	
13	4700382909	1	Plate	
14	4700382911	2	Bracket	
15	4700904655	19	Washer	
16	4700904206	8	Screw	
17	4700904798	15	Screw	
18	4700500075	16	Screw	M6-1,0x25 8.8
19	4700570004	39	Nut	M6X1,00 -8 A2K
20	4700904798	8	Screw	
21	4700904228	5	Washer	6,4x12x1,5
22		C 1	Air inlet	
23	4700381546	D 1	Insulation	
24	4700381545	D 1	Insulation	
25	4700381544	D 1	Insulation	
26	4700381543	D 1	Insulation	
27	4700791171	4	Screw	

- A) L=0,1m
- B) L=0,065m
- C) See section engine installation
- D) Mounted inside the air inlet

Hydraulic tank

16720-1

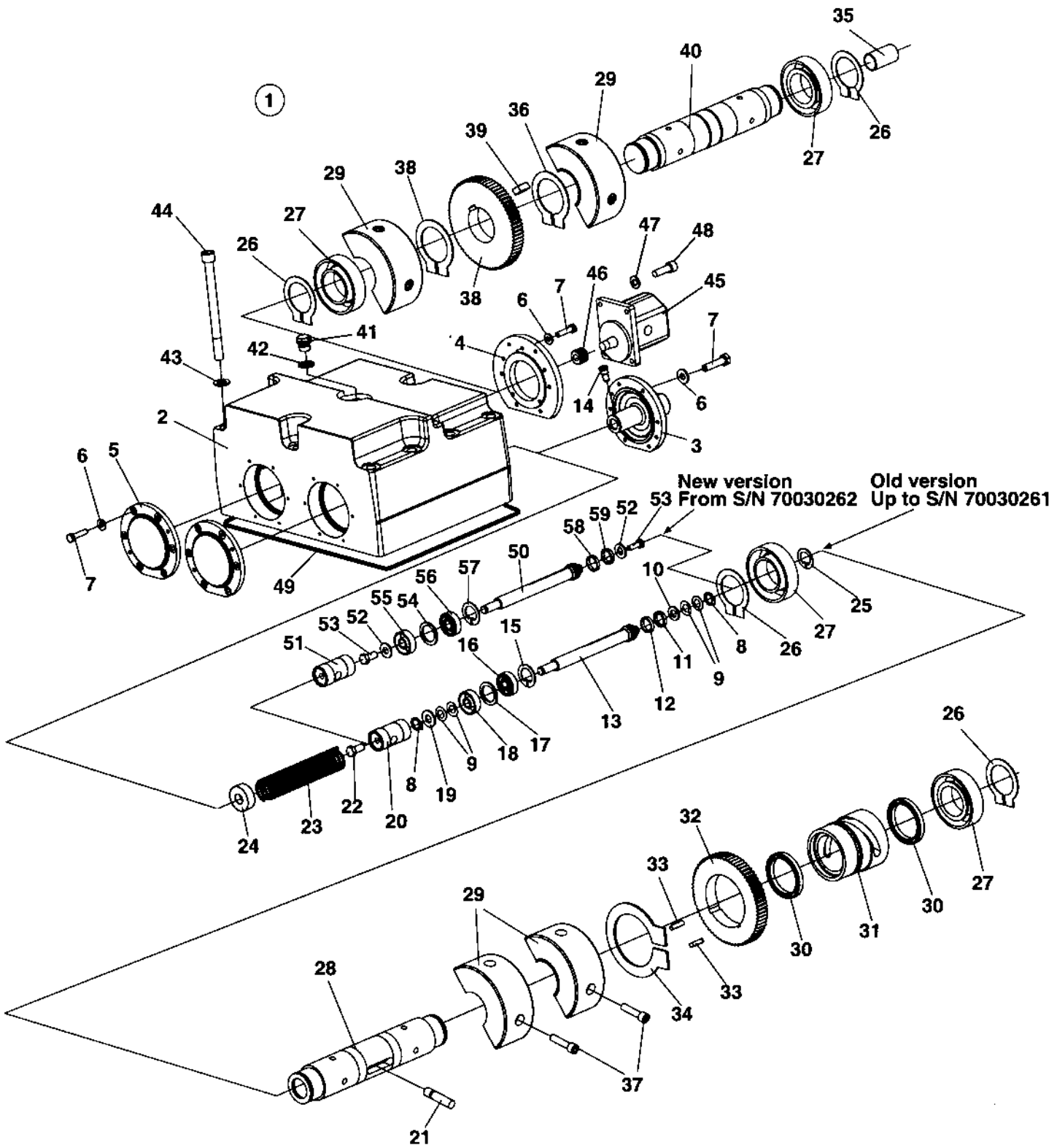


Hydraulic tank

Item	Part No.	Rem. Qty	Description	Code
1		1	Push-on terminal male	
2	D283975-02	1	Hydraulic oil tank	
3	4700284030	1	Hood	
4	4700904656	6	Washer	
5	4700904654	6	Screw	
6	4700904229	12	Washer	8,4x16x1,5
7	4700570005	12	Nut	M8
8	D284166-02	1	Cover	
9	4700284153	1	Gasket	
10	4700904230	8	Washer	
11	4700500048	8	Screw	M10-1,5x20 8,8
12	4700162019	1	Seal ring	D
13	4700904743	1	Steel plug threaded	
14		0	Ground plate, engine plate and frame (Page 6)	

Eccentric element

Item	Part No.	Rem. Qty	Description	Code
10			Eccentric element (Page 20)	



Eccentric element

Item	Part No.	Rem. Qty	Description	Code
1		1	Eccentric element, cpl	
2	4700284081	A 1	.Eccentric housing Up to 70030262	
	4700382801	B 1	.Eccentric housing From 70030263	
3	4700283955	1	.Cylinder	
4	4700283954	1	.Cover	
5	4700281541	2	.Cover	
6	4700904228	25	.Washer	6,4x12x1,5
7	4700500040	25	.Screw	M6-1x20 8,8
8	4700150002	2	.Retaining ring	
9	4700929291	4	.Cup spring	
10	4700904637	1	.Washer	
11	4700281501	1	.Piston seal	D
12	4700281502	1	.Guide	
13	4700381441	1	.Piston rod Up to 70030261	
14	4700380155	1	.Screw	
15	4700151008	1	.Retaining ring	
16	4700111022	1	.Ball bearing	
17	4700928792	1	.Spacer ring	
18	4700928797	1	.Ball bearing	
19	4700904230	1	.Washer	
20	4700381442	1	.Piston Up to 70030261	
21	4700281549	1	.Pin	
22	4700381443	1	.Screw	
23	4700281556	1	.Spring	
24	4700281555	1	.Stop	
25	4700151011	1	.Snap ring	
26	4700150020	4	.Snap ring	
27	4700900564	4	.Roller bearing	
28	4700281534	1	.Shaft Up to 70030261	
	4700381767	1	.Shaft From 70030262	
29	4700281542	4	.Eccentric weight	
30	4700900565	2	.Ball bearing	
31	4700281547	1	.Sleeve	
32	4700281546	1	.Gear	
33	4700350031	2	.Key	
34	4700900566	1	.Retaining ring	
35	4700284112	F 1	.Splined sleeve Up to 70030261	
36	4700150025	2	.Snap ring	
37	4700508032	8	.Screw	M12-1,75x50H 8,8
38	4700281543	1	.Gear	
39	4700281544	1	.Key	
40	4700283976	E 1	.Shaft Up to 70030261	
	4700382182	1	.Shaft From 70030262	
41	4700232143	1	.Plug	
42	4700162011	1	.Washer, sealing	D
43	4700904232	10	Washer Up to 70030262	
	4700904232	14	Washer From 70030263	
44	4700904632	10	Screw Up to 70030262	
	4700904632	14	Screw From 70030263	
45		G 1	Hydraulic motor	
46		G 1	Splined sleeve	
47		G 4	Washer	

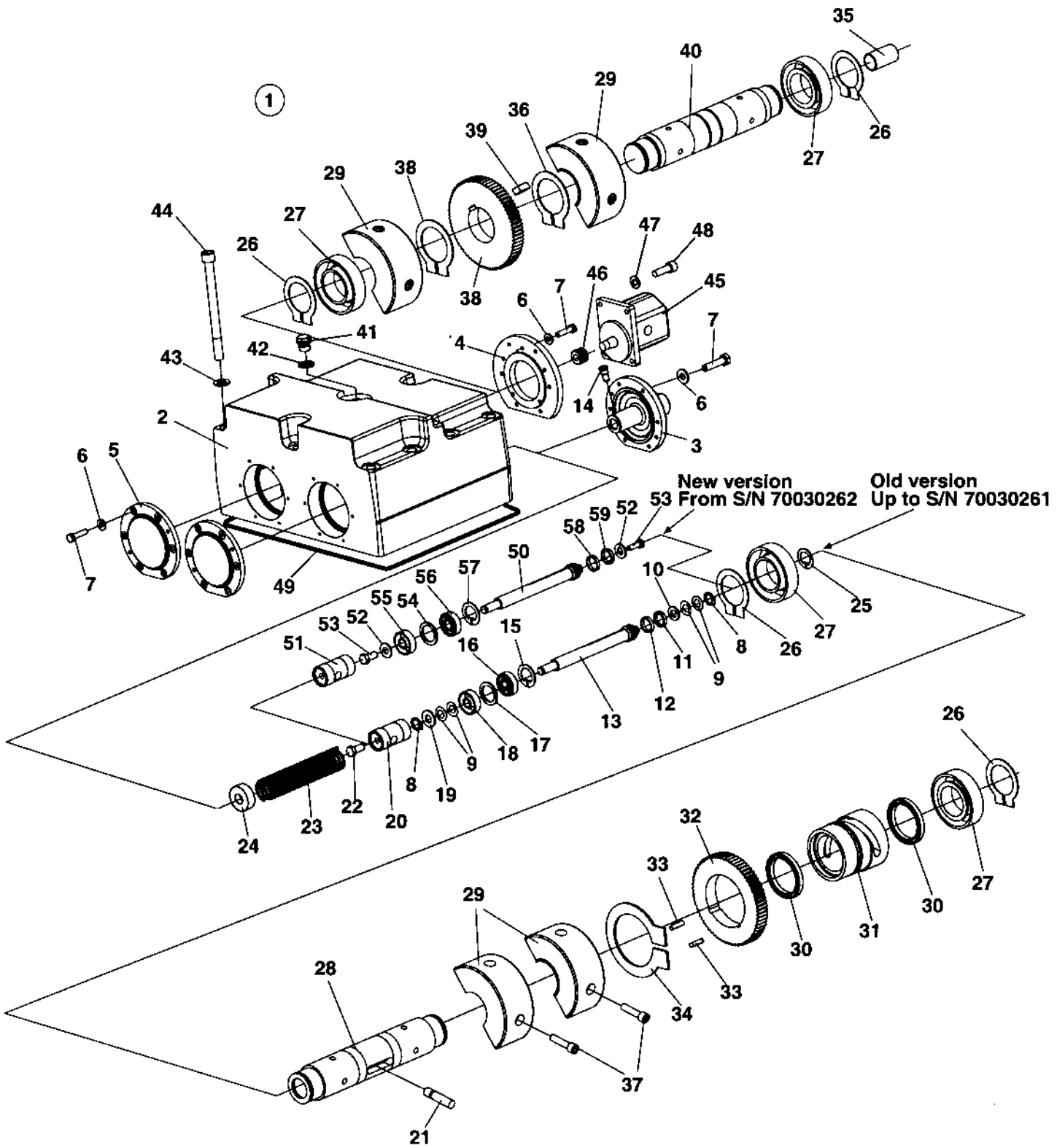
A) With 10 holes for M16 screws

B) With 14 holes for M16 screws

E) Replaced by 4700382182

F) Advise: If you need this part, we recommend to upgrade to the new improved shaft 4700382182, were the splines are cut in the solid shaft

G) See section hydraulic system



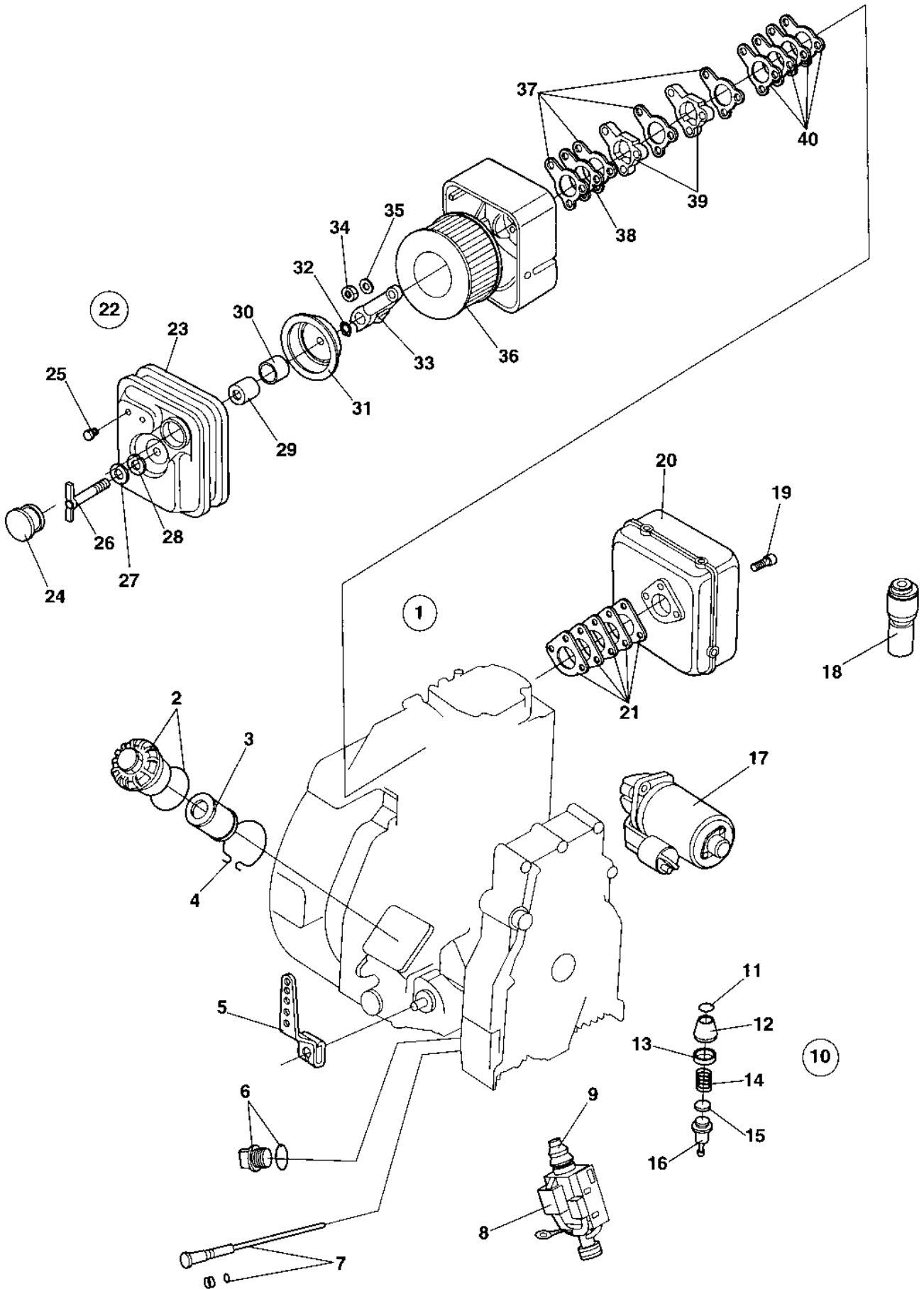
Eccentric element

Item	Part No.	Rem. Qty	Description	Code
48		G 4	Screw	
49	4700904923	1	.O-ring From 70030263	
50	4700381766	1	.Piston rod From 70030262	
51	4700381778	1	.Piston From 70030262	
52	4700381783	1	.Washer From 70030262	
53	4700500012	1	.Screw From 70030262	M6x12
54	4700904811	1	.Support ring From 70030262	
55	4700928797	1	.Ball bearing From 70030262	
56	4700111022	1	.Ball bearing From 70030262	
57	4700151008	1	.Retaining ring From 70030262	
58	4700281502	1	.Guide From 70030262	
59	4700281501	1	.Piston seal From 70030262	D

G) See section hydraulic system

Engine

Item	Part No.	Rem. Qty	Description	Code
10			Engine, Hatz 1D90V (Page 26)	Up to SN 70030393
12			Engine, Hatz 1D90V (Page 28)	From SN 70030393
15			Fuel tank with singel fuel outlet (Page 30)	
17			Fuel tank with dual fuel outlet (Page 32)	
20			Engine installation (Page 34)	Up to SN 70030392
30			Engine installation (Page 36)	From SN 70030393

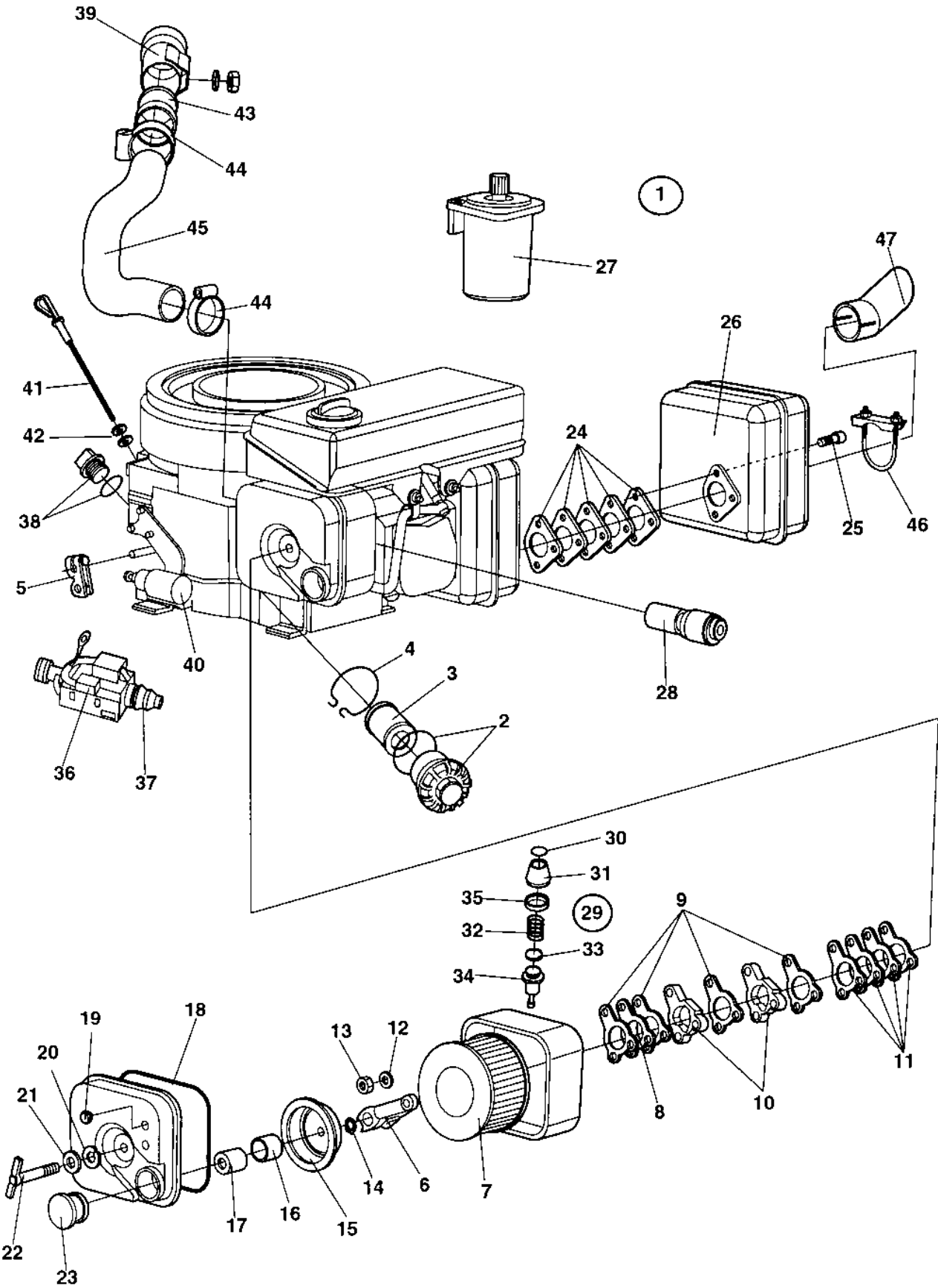


Engine, Hatz 1D90V Up to SN 70030393

Item	Part No.	Rem. Qty	Description	Code
1	4700283962	1	Diesel engine, cpl	
2	4700935608	1	.Oil filter cover, cpl	
3	4700239326	1	.Oil filter	A
4	4700937416	1	.Snap ring	
5	4700937420	1	.Throttle lever	
6	4700937418	1	.Plug, cpl	
7	4700937417	1	.Oil dipstick	
8	4700935223	1	.Lifting magnet	
9	4700937456	1	.Bellows	
10	4700937450	1	.Air filter indicator	
11	4700937445	1	..Sealing	
12	4700937446	1	..Cover	
13	4700937447	1	..Ring	
14	4700937451	1	..Spring	
15	4700937448	1	..Sealing	
16	4700937449	1	..Nipple	
17	4700937455	1	.Starter	
18	4700937419	1	.Extra fuel device	
19	4700937453	3	.Screw	
20	4700937452	1	.Muffler, cpl	
21	4700937454	1	.Gasket kit	
22	4700239527	1	.Cover	
23	4700239526	1	..Gasket	D
24	4700937441	1	..Plug	
25	4700239532	2	..Plug	
26	4700239531	1	.Screw	
27	4700239530	1	.Washer	
28	4700239529	1	.Washer	
29	4700239525	1	.Gasket	
30	4700239524	1	.Bushing	
31	4700239523	1	.Cover	
32	4700239522	1	.Washer	
33	4700239519	1	.Bracket	
34	4700239521	2	.Nut	
35	4700239520	2	.Washer	
36	4700239423	1	.Air filter element	A
37	4700937439	4	.Gasket	
38	4700937440	1	.Gasket	
39	4700937443	2	.Gasket	
40	4700937442	1	.Gasket kit	

Engine, Hatz 1D90V From SN 70030393

17334

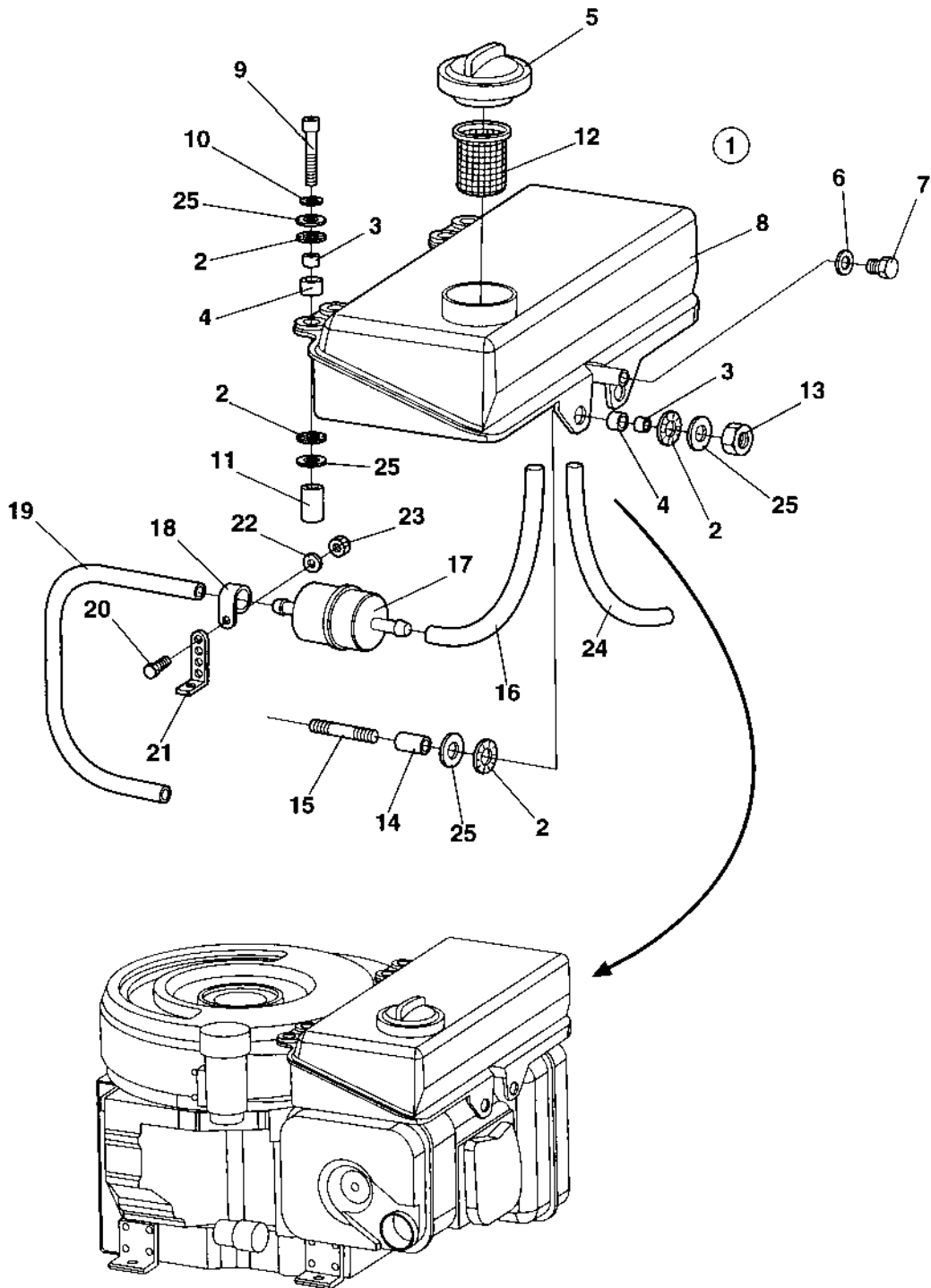


Engine, Hatz 1D90V From SN 70030393

Item	Part No.	Rem. Qty	Description	Code
1	4700379100	1	Engine, cpl	
2	4700239335	1	O-ring	B
	4700935608	1	Oil filter cover, cpl	
3	4700239326	1	Oil filter	A
4	4700937416	1	Snap ring	
5		1	Speed control	
6	4700239519	1	Bracket	
7	4700239423	1	Air filter element	A
8	4700937440	1	Gasket	
9		4	Gasket	
10	4700937443	2	Gasket	
11	4700937442	1	Gasket kit	
12	4700936910	1	Washer	
13	4700239521	2	Nut	
14	4700239522	1	Washer	
15	4700239523	1	Cover	
16	4700239524	1	Bushing	
17	4700239525	1	Gasket	
18	4700239526	1	Gasket	D
19	4700239532	1	Plug	
20	4700239529	1	Washer	
21	4700239530	1	Washer	
22	4700239530	1	Washer	
23	4700239528	1	Plug	
24	4700937454	1	Gasket kit	
25	4700937453	1	Screw	
26	4700937452	1	Muffler, cpl	
27	4700239501	1	Starter	
28	4700938342	1	Extra fuel device	
29	4700937450	1	Air filter indicator	
30	4700937445	1	Sealing	
31	4700937448	1	Sealing	
32	4700937451	1	Spring	
33	4700937448	1	Sealing	
34	4700937449	1	Nipple	
35	4700937447	1	Ring	
36	4700935223	1	Lifting magnet	
37	4700937456	1	Bellows	
38	4700937418	1	Plug, cpl	
39	4700938310	1	Cyclone, cpl	
40	4700938278	1	Solenoid valve	
41	4700383022	1	Oil dipstick, cpl	
42	4700904938	2	.O-ring	
43	4700383312	1	Steel tube	
44	4700313010	2	Hose clamp	
45	4700904953	1	Air hose	
46	4700313100	1	Clamp	
47	4700383117	1	Exhaust pipe	

Fuel tank with singel fuel outlet

16732



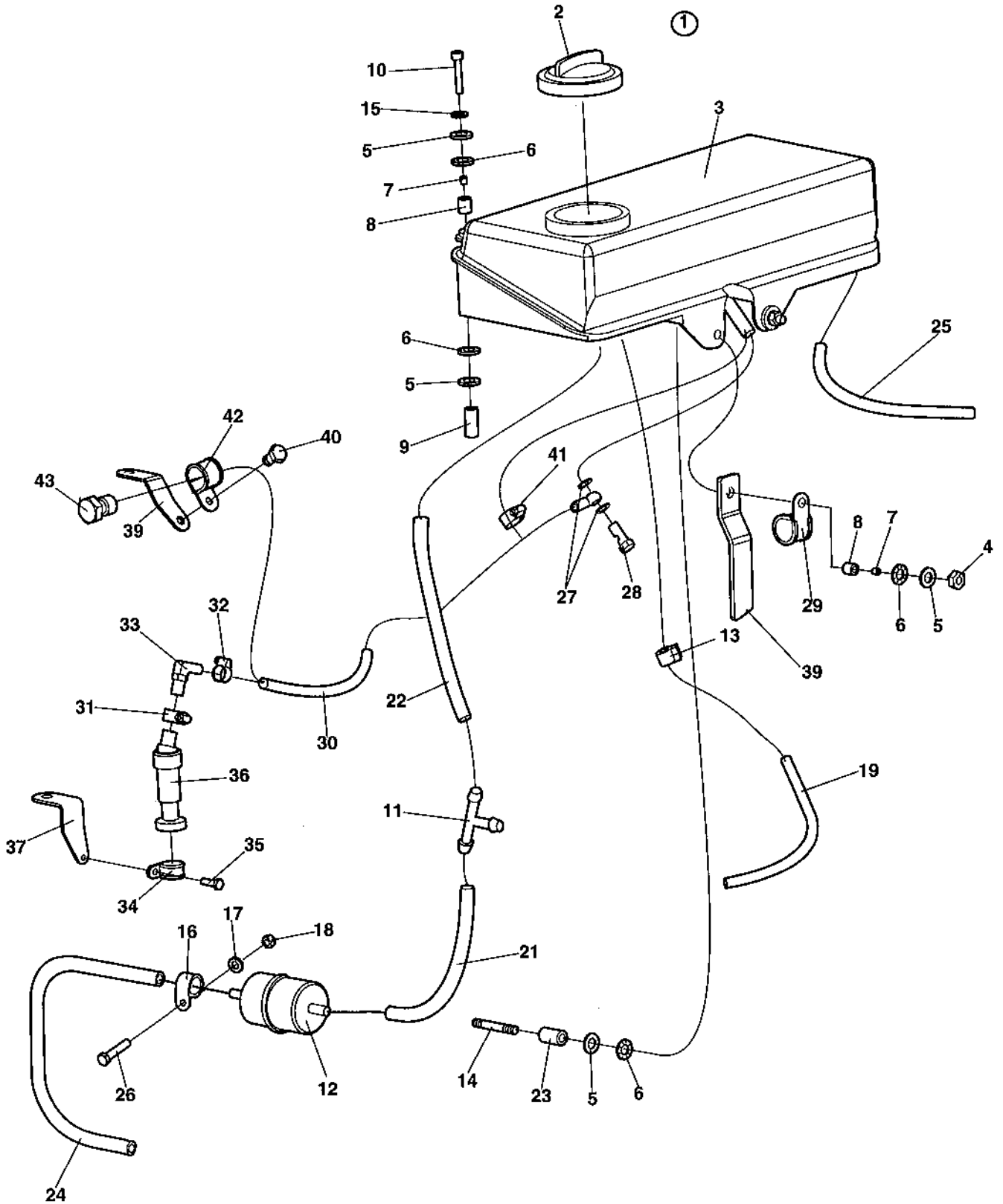
Fuel tank with singel fuel outlet

Item	Part No.	Rem. Qty	Description	Code
1	4700937421	A 1	.Fuel tank, cpl	
2	4700937422	12	.Washer	
3	4700937423	6	.Spacer	
4	4700937424	6	.Spacer	
5	4700937428	1	.Fuel cap	
6	4700912453	1	.Washer	
7	4700937435	1	.Plug	
8		1	.Fuel tank	
9	4700937427	4	Screw	
10	4700937438	4	Washer	
11	4700937436	4	Sleeve	
12	4700239550	1	Fuel strainer	D
13	4700937582	2	Nut	
14	4700937425	2	Sleeve	
15	4700937426	2	Pin	
16	4700937429	1	Fuel hose	
17	4700937430	1	Fuel filter	
18	4700937433	1	Clamp	
19	4700238352	1	Hose	
20	4700937434	1	Screw	
21	4700937583	1	Bracket	
22	4700937432	1	Washer	
23	4700937431	1	Nut	
24	4700937437	1	Hose	
25	4700937581	12	Washer	

A) Include in complete engine

Fuel tank with dual fuel outlet

17328-1

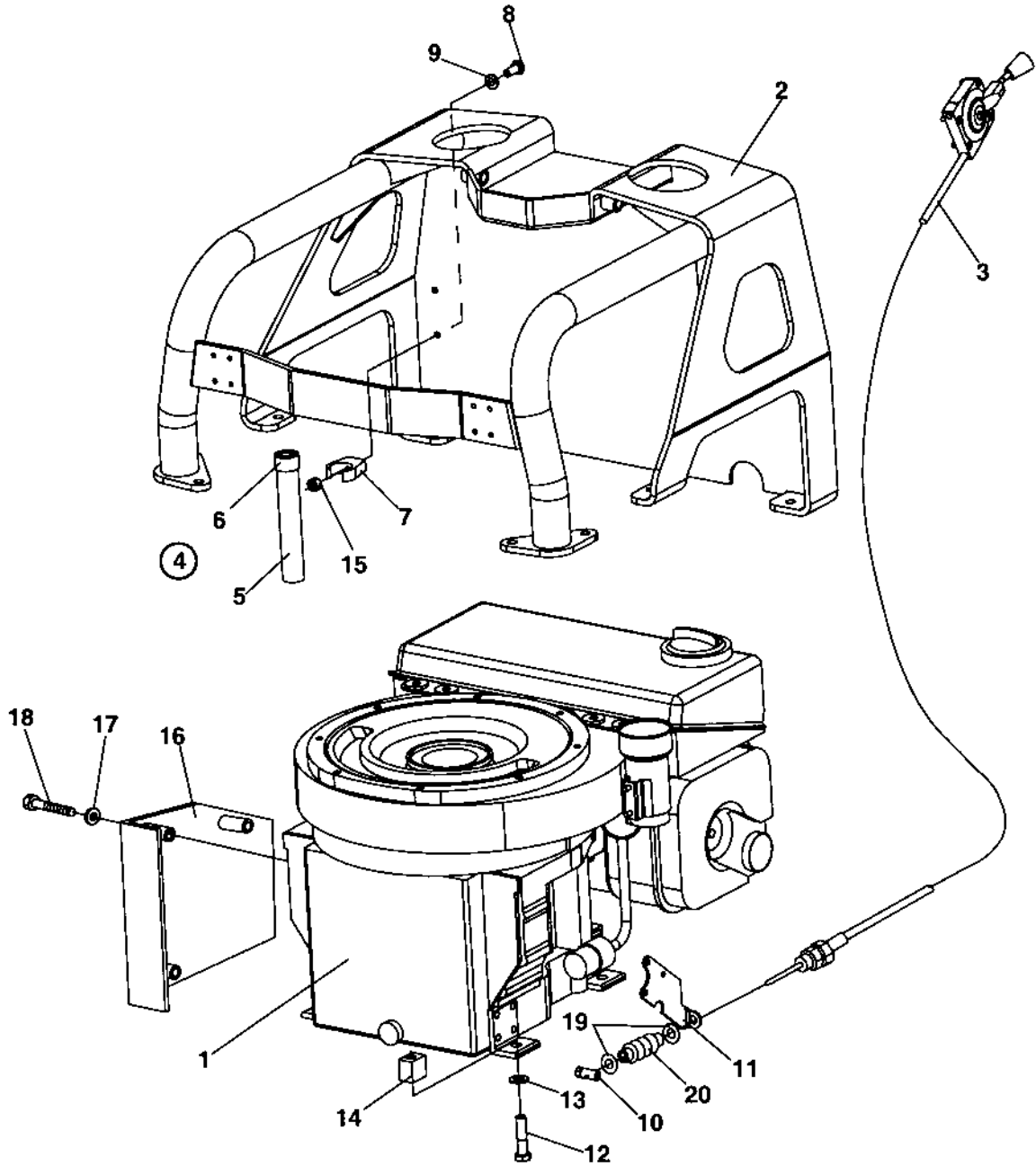


Fuel tank with dual fuel outlet

Item	Part No.	Rem. Qty	Description	Code
1	4700938334	1	Fuel tank, cpl	
2	4700937428	1	.Fuel cap	
3		1	.Fuel tank	
4	4700937582	2	.Nut	
5	4700937581	12	.Washer	
6		12	.Washer	
7		6	.Spacer	
8		6	.Spacer	
9	4700937436	4	.Sleeve	
10	4700937427	4	.Screw	
11	4700936950	1	.Adapter	
12	4700937430	1	.Fuel filter	
13	4700936972	2	.Hose clamp	
14	4700937426	2	.Pin	
15	4700937438	4	.Washer	
16	4700938328	1	.Clamp	
17	4700937432	1	.Washer	
18	4700937431	1	.Nut	
19	4700938329	1	.Fuel hose	
21	4700938330	1	.Fuel hose	
22	4700938331	1	.Fuel hose	
23	4700937425	2	.Sleeve	
24	4700938332	1	.Fuel hose	
25	4700938333	1	.Fuel hose	
26	4700937434	1	Screw	
27	4700330328	2	Copper washer Up to 70030441	10x14x1
28	4700791104	1	Hollow screw Up to 70030441	
29	4700921116	1	Clamp Up to 70030441	
30	4700384531	1	Fuel hose Up to 70030441	
	4700387480	1	Fuel hose From 70030442	
31	4700313003	1	Hose clamp	D
32	4700313002	1	Hose clamp Up to 70030441	13-20 mm
33	4700902990	1	Adapter Up to 70030441	
34	4700921078	1	Clamp Up to 70030441	
35	4700500185	1	Screw Up to 70030441	M6-1x14 8,8
36	4700938339	1	Water separator, cpl Up to 70030441	
37	4700384487	1	Bracket Up to 70030441	
38	4700387474	1	Bracket From 70030442	
39	4700387473	1	Bracket From 70030442	
40	4700500188	1	Screw From 70030442	M8-1,25x14 8,8
41	4700313003	1	Hose clamp From 70030442	D
42	4700921056	1	Clamp From 70030442	
43	4700232095	1	Plug From 70030442	

Engine installation Up to SN 70030392

16739-1



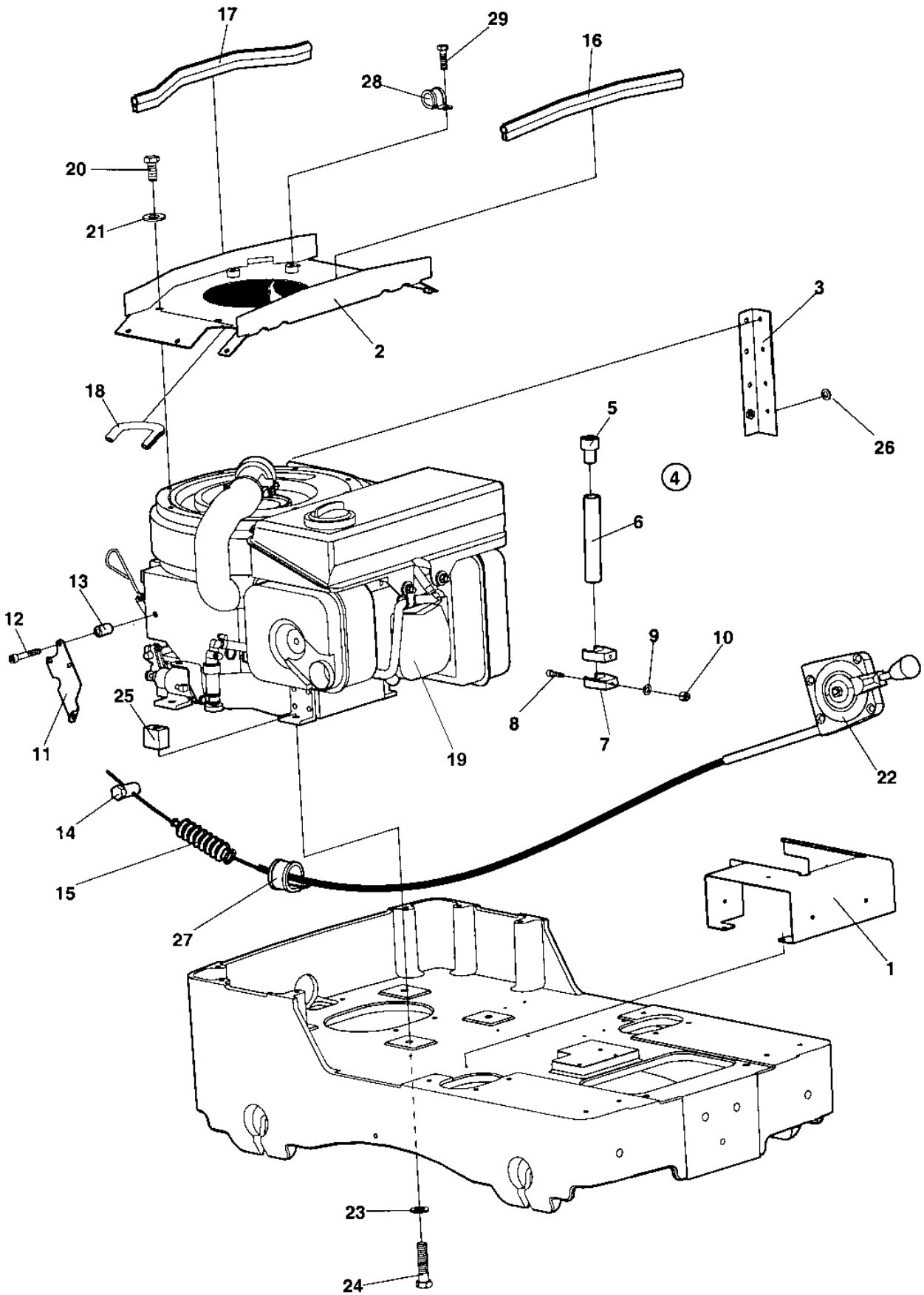
Engine installation Up to SN 70030392

Item	Part No.	Rem. Qty	Description	Code
1		1	Engine, Hatz 1D90V (Page 26)	Up to SN 70030393
2			Ground plate, engine plate and frame (Page 6)	
3		B 1	Handle (Page 60)	Up to S/N: 70030599
4	4700281852	1	Oil drain, cpl	D
5	4700244059	A 1XL	.Hose	D
6	4700239437	1	.Hose connection	D
7	4700281116	2	Ryw-clips	
8	4700508020	2	Screw	
9	4700904281	2	Washer	5,3x10x1 300HV
10	4700281236	1	Nipple	
11	4700281228	1	Bracket	
12	4700500195	4	Screw	
13	4700904231	4	Washer	13x24x2 300 HV
14	4700284099	1	Spacer	
15	4700380953	1	Protector Up to 70030393	
16	4700586001	2	Lock nut	
17	4700904228	3	Washer Up to 70030393	6,4x12x1,5
18	4700500079	3	Screw Up to 70030393	M6-1x50 8,8
19	4700313068	2	Cable ties	L=92 mm
20	4700381388	1	Rubber bellows	

- A) L=0,4,m
- B) See section handle

Engine installation From SN 70030393

17655



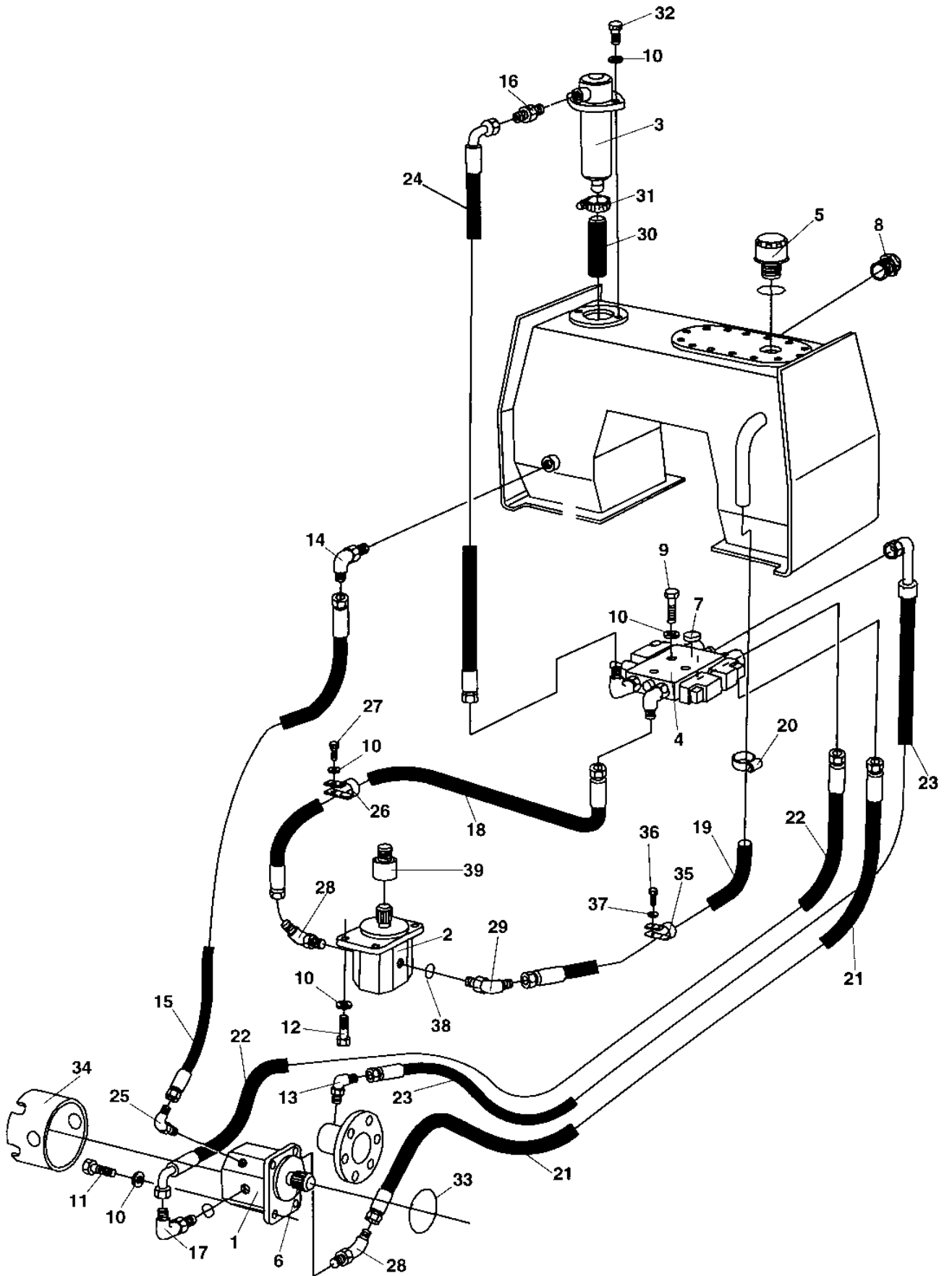
Engine installation From SN 70030393

Item	Part No.	Rem. Qty	Description	Code
1	4700383026	1	Air inlet	
2	4700385250	1	Cover	
3	4700386187	1	Bracket	
4	4700281852	1	Oil drain, cpl	D
5	4700239437	1	.Hose connection	D
6	4700244059	A 1XL	.Hose	D
7	4700281116	2	Ryw-clips	
8	4700508020	2	Screw	
9	4700904281	2	Washer	5,3x10x1 300HV
10	4700586001	2	Lock nut	
11	4700281228	1	Bracket	
12		B	Screw	
13		B	Spacer	
14	4700281236	1	Nipple	
15	4700381388	1	Rubber bellows	
16	4700904076	C 1XL	Edge trim	
17	4700904076	D 1XL	Edge trim	
18	4700202028	E 1XL	Edge trim	
19		1	Engine, Hatz 1D90V (Page 28)	From SN 70030393
20	4700500043	8	Screw	M10x16H 8,8
21	4700904230	8	Washer	
22		F 1	Throttle control	
23	4700904231	4	Washer	13x24x2 300 HV
24	4700500195	4	Screw	
25	4700284099	4	Spacer	
26	4700904228	6	Washer	6,4x12x1,5
27	4700903670	1	Clamp	
28	4700921039	1	Pipe clamp	
29	4700500040	1	Screw	M6-1x20 8,8

- A) L=0.4m
- B) Supplied with engine
- C) L=.044m
- D) L=0.44m
- E) L=0,14
- F) See section handle

Hydraulic system

Item	Part No.	Rem. Qty	Description	Code
10			Hydraulic system (Page 40)	



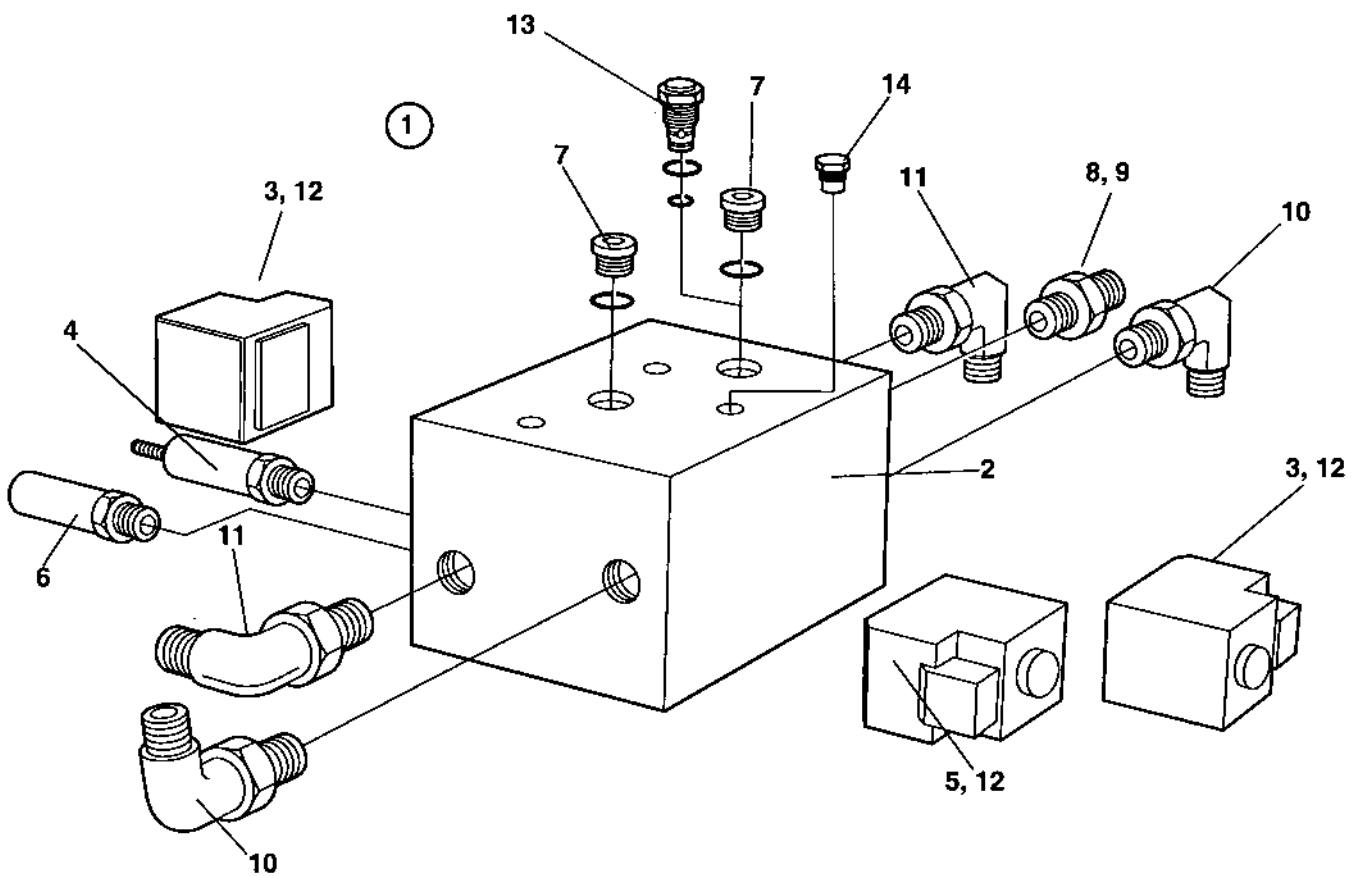
Hydraulic system

Item	Part No.	Rem. Qty	Description	Code
1	4700380647	B 1	Hydraulic motor	
2	4700380646	1	Hydraulic pump	
3	4700284179	D 1	Hydraulic oil filter, cpl	
	4700381552	D 1	.Filter element	A
	4700381551	E 1	Hydraulic oil filter, cpl	
	4700381553	E 1	.Filter element	
4		1	Hydraulic block (Page 42)	
5	4700357138	1	Ventilating filter	A
		1	.O-ring	A
6	4700284113	1	Splined sleeve	
7	4700923405	1	Measuring nipple	D
8	4700499127	1	Sight plug	
9	4700508069	3	Screw	
10	4700904229	14	Washer	8,4x16x1,5
11	4700508019	4	Screw	M8x25
12	4700508057	4	Screw	
13	4700234481	1	Connector	
14	4700234481	1	Connector	
15	4700380384	1	Hydraulic hose	
16	4700334215	1	Adapter	
17	4700234480	1	Elbow adapter	
18	D308000501	1	Hydraulic hose	
19	4700380927	1	Hydraulic hose	
20	4700902295	3	Clamp	
21	4700483211	1	Hydraulic hose	
22	4700381529	1	Hydraulic hose	
23	4700482100	1	Hydraulic hose	
24	4700380940	1	Hydraulic hose	
25	4700334203	1	Elbow 90, O-ring	
26	4700960727	1	Clamp	
27	4700508005		Screw	
28	4700904744	2	Adapter	
29	4700380941	1	Adapter	
30	4790407401	1	Hydraulic hose	
31	4700313006	C 1	Hose clamp	
32	4700508092	2	Screw	
33	4700160031	1	O-ring	D
34	4700380945	1	Protector	
35	4700921119	1	Pipe clamp	
36	4700500043	1	Screw	M10x16H 8,8
37	4700904230	1	Washer	
38	4700162028	1	Seal ring	
39	4700939518	1	Splined sleeve	
		1	.	

- B) Supplied with nut, key and tongued lockwasher
- C) Old version
- D) Standard
- E) For Bio-hydraulic oil

Hydraulic block

17016-1



Hydraulic block

Item	Part No.	Rem. Qty	Description	Code
1	4700381062	C 1	Hydraulic block	
	4700382815	1	Hydraulic block	
2	4700937695	1	.Block	
3	4700937661	G 2	.Valve	
4	4700937696	E 1	.Pressure valve	D
5	4700937697	D 1	.Valve	
6	4700937698	F 1	.Pressure valve	
7	4700937699	2	.Plug	
8	4700937666	A 1	.Orifice	
9	4700334144	1	.Connector	
10	4700334238	2	.Elbow 90 o-ring	
11	4700234993	2	.Elbow	
12	4700937700	B 3	.Electromagnet	
13	4700938142	1	.Non return valve From 70030334	
14	4700923405	1	Measuring nipple Up to 70030392	D

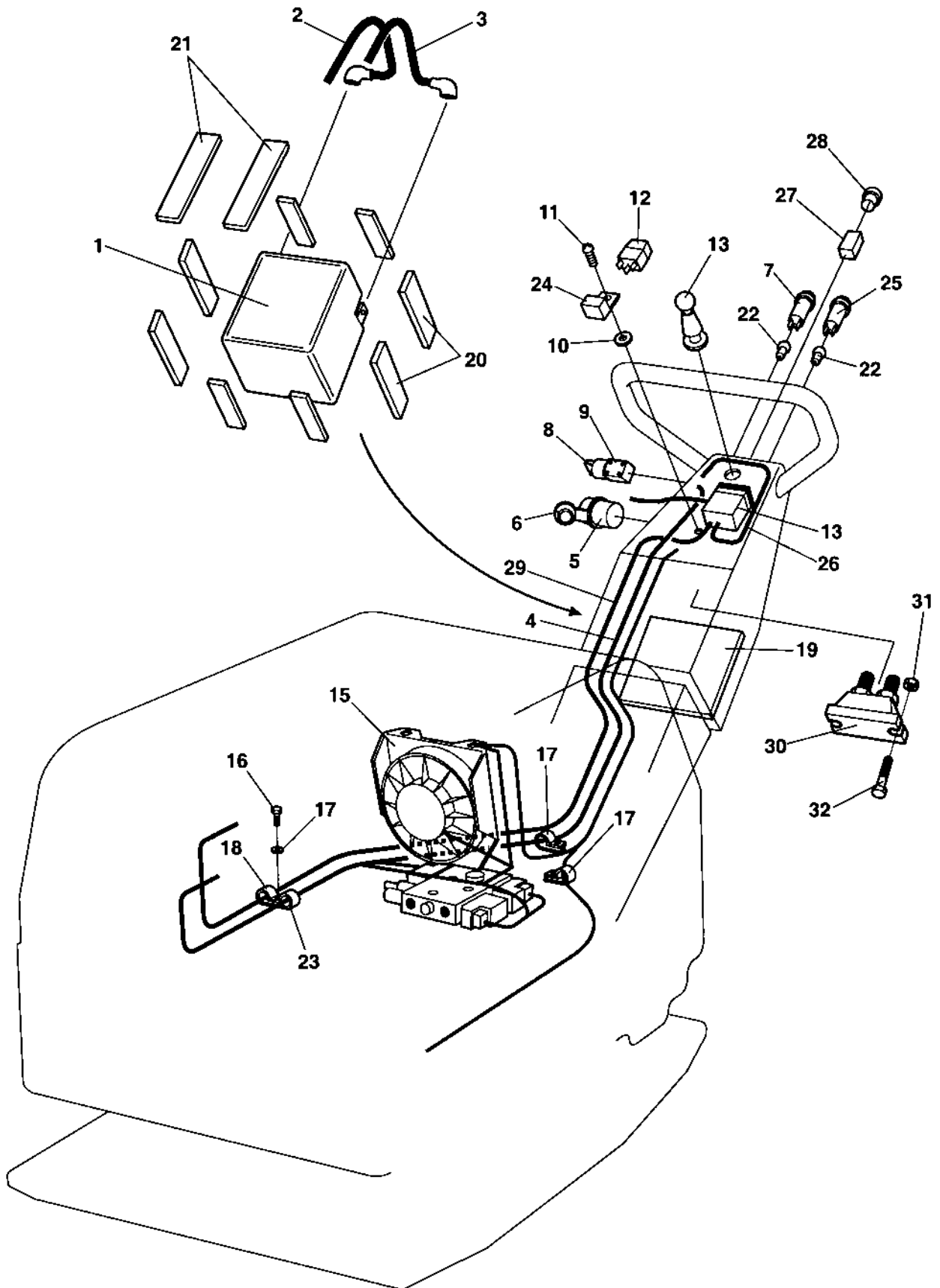
- A) 0,7 MM
- B) 12V DC
- C) Replaced by hydraulic block P/N 4700382815
- D) Vibration, ON/OFF
- E) Relief valve, 55 bar
- F) Relief valve, Vibration, 180 bar
- G) Forward/Reverse

Electrical equipment

Item	Part No.	Rem. Qty	Description	Code
10			Electrical equipment (Page 46)	Up to SN 70030392
20			Electrical equipment (Page 48)	From SN 70030393
30			Joystick (Page 52)	
40			Fan (Page 54)	Up to SN 70030392
50			Fan (Page 56)	From SN 70030393

Electrical equipment Up to SN 70030392

16729-2

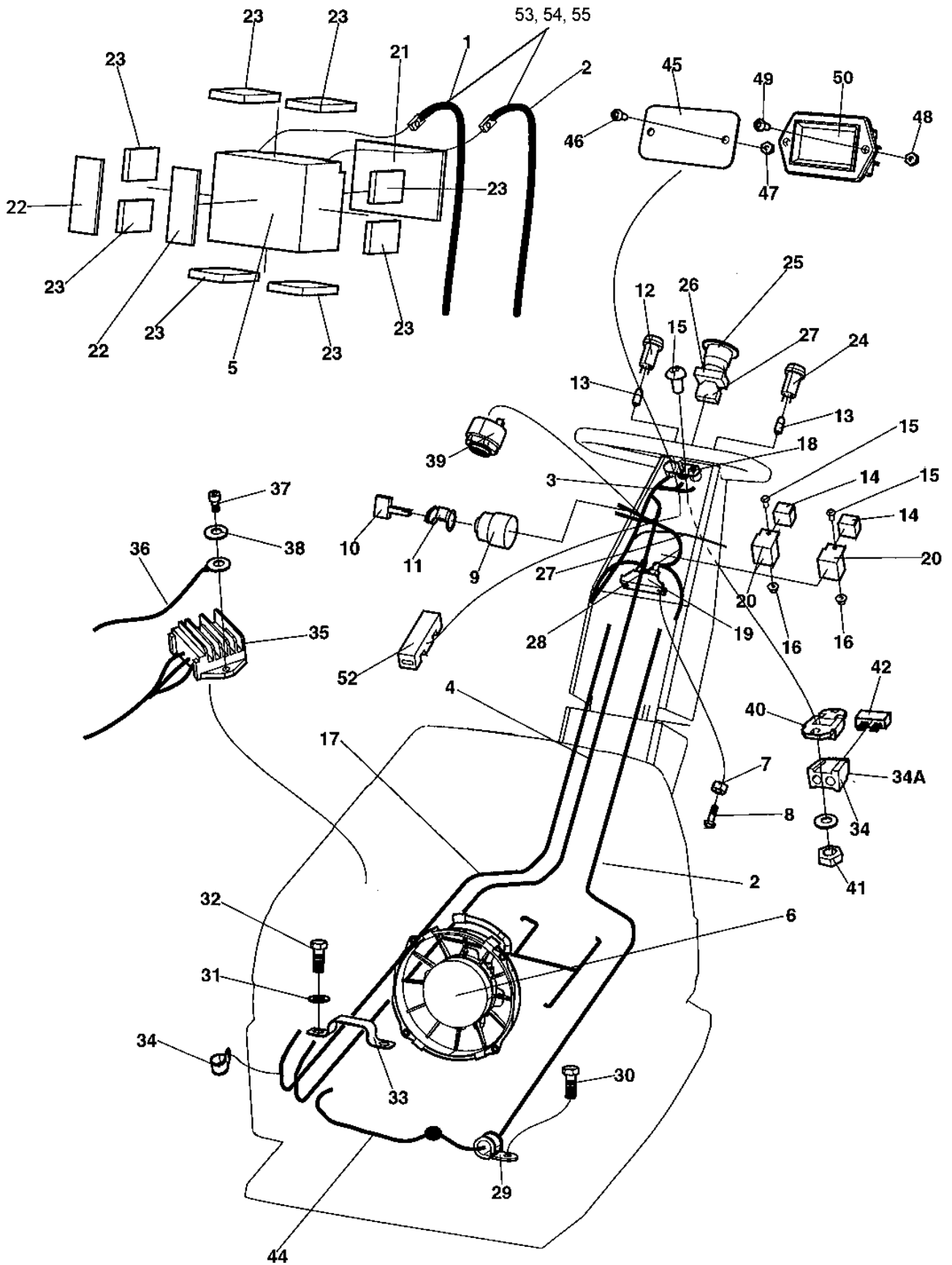


Electrical equipment Up to SN 70030392

Item	Part No.	Rem. Qty	Description	Code
1	4700284202	1	Battery	
2	4700284196	1	Battery cable Up to 70030371	(+)
	4700791093	1	Connection cable From 70030372	
3	4700284197	1	Battery cable	(-)
4	4700284198	1	Cable harness Up to 70030371	
	4700384419	1	Cable harness From 70030372	
5	4700238158	1	Ignition switch	
	4700238236	1	Ignition key	D
6	4700904428	1	Cover, ignition	
7	4700239463	1	Charge lamp	D
8	4700930151	1	Switch Up to 70030263	D
9	4700930163	1	Contact piece, NO	D
10	4700902284	2	Nut	M5
11	4700903658	2	Screw	M5x10
12	4700281457	2	Relay	D
13	4700381784	1	Switch Up to 70030263	
14		1	Joystick From 70030264 (Page 52)	
15		1	Fan (Page 54)	Up to SN 70030392
16	4700500013	2	Screw	M6-1x16 8,8
17	4700904228	2	Washer	6,4x12x1,5
18	4700921031	4	Clamp	
19	4700380951	1	Battery insulation	
20	4700381533	8XL	Battery insulation	
21	4700380948	2XL	Battery insulation	
22	4700985012	2	Bulb	D
23	4700921072	1	Clamp	
24	4700287599	2	Relay socket	D
25	4700239466	1	Oil pressure lamp	D
26	4700284199	1	Cable harness Up to 70030263	
	4700382547	1	Cable harness From 70030264 Up to 70030271	
	4700384418	1	Cable harness From 70030372	
27	4700930154	1	Contact piece, NC	
28	4700930200	1	Emergency stop From 70030264	
29	4700791092	1	Connection cable From 70030372	
30	4700791083	1	Connection block From 70030372	
31	4700902285	2	Lock nut	M6
32	4700500040	2	Screw	M6-1x20 8,8
33	4700384502	1	Cable harness From 70030372	

Electrical equipment From SN 70030393

17648-3



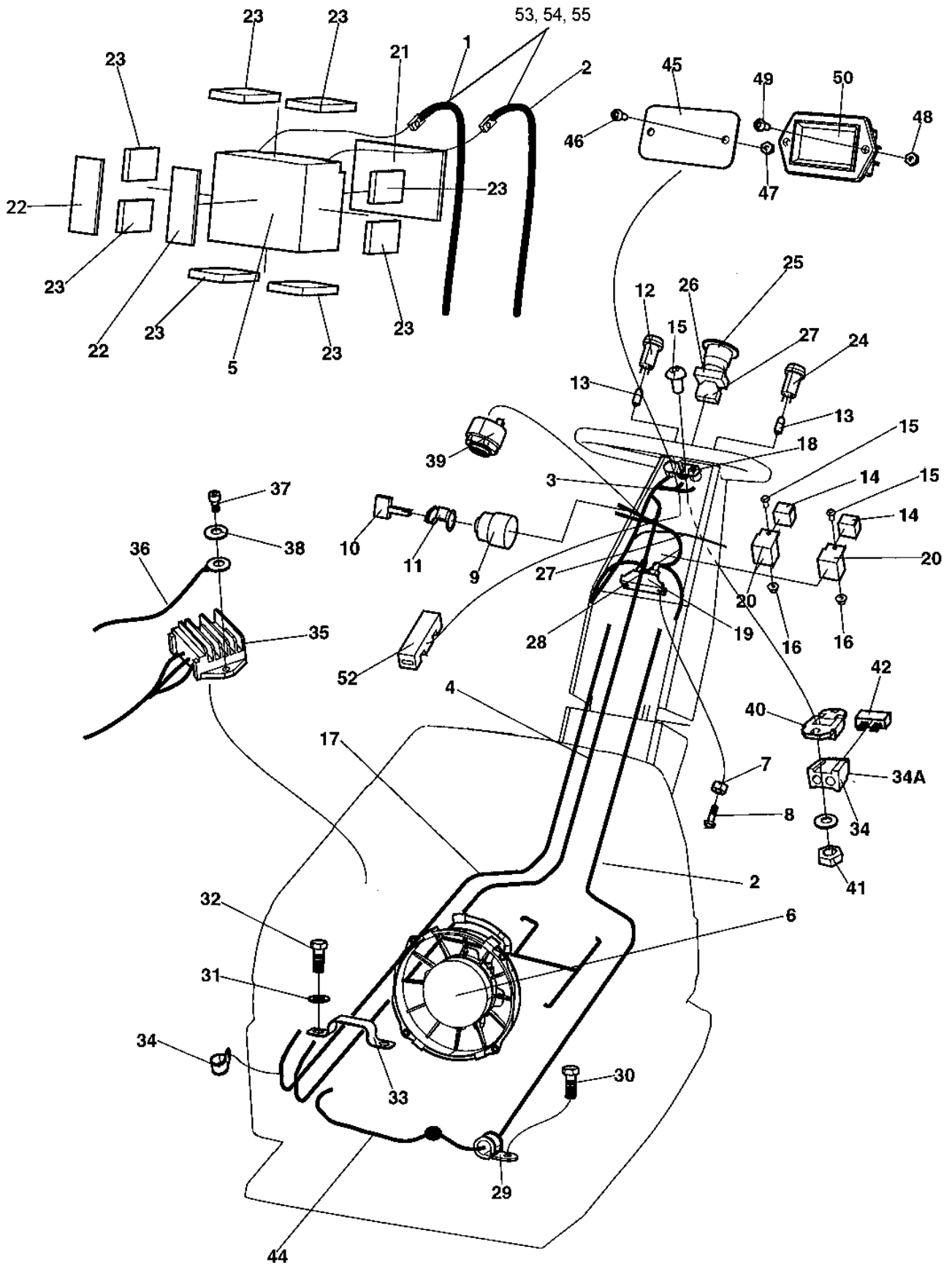
Electrical equipment From SN 70030393

Item	Part No.	Rem. Qty	Description	Code
1	4700791093	1	Connection cable Up to 70030599	
	4700791979	1	Connection cable From 70030600	
2	4700386196	1	Connection cable From 70030600	
3	4700384418	A 1	Cable harness	
	4700386965	1	Cable harness Up to 70030528	
	4700388959	B 1	Cable harness From 70030529 Up to 70030599	
	4700376898	1	Cable harness From 70030600	
4	4700386173	1	Cable harness	
5	4700384315	E 1	Battery Up to 70030874	
	4700391137	F 1	Battery From 70030875	
6		1	Fan (Page 56)	From SN 70030393
7	4700500040	2	Screw Up to 70030599	M6-1x20 8,8
8	4700902285	2	Lock nut Up to 70030599	M6
9	4700238158	1	Ignition switch	
10	4700238236	1	.Ignition key	D
11	4700904428	1	Cover, ingnition	
12	4700239463	1	Charge lamp Up to 70030599	D
	4700791058	1	Diode lamp From 70030600	D
13	4700985012	2	Bulb Up to 70030599	D
14	4700281457	2	Relay	D
15	4700903658	2	Screw	M5x10
16	4700902284	2	Nut	M5
17	4700791092	1	Connection cable Up to 70030599	
	4700791979	1	Connection cable From 70030600	
18		1	Joystick (Page 52)	
19	4700791083	1	Connection block Up to 70030599	
20		2	Bracket	
21	4700380951	1	Battery insulation	
22	4700380948	2	Battery insulation	
23	4700381533	8	Battery insulation	
24	4700239466	1	Oil pressure lamp Up to 70030599	D
	4700791058	1	Diode lamp From 70030600	D
25	4700930200	1	Emergency stop	
26	4700930163	1	Contact piece, NO	D
27	4700930154	1	Contact piece, NC	
28	4700384502	1	Cable harness Up to 70030528	
29	4700921031	2	Clamp	
30	4700500185	2	Screw	M6-1x14 8,8
31	4700904281	8	Washer	5,3x10x1 300HV
32	4700500184	6	Screw	M5-0,8x14 8,8
33	4700384200	3	Clamp	
34		3	Fuse holder	
34-A	4700940313	D 3	Cover	
35	4700386186	1	Voltage regulator	
36	4700383292	1	Ground cable	
37	4700508005	2	Screw	
38	4700904229	2	Washer	8,4x16x1,5
39	4700385599	1	Buzzer From 70030529	
40	4700904036	1	Fuse holder From 70030600	
41	4700573002	2	Nut	M5
42	4700901228	1	Fuse	15A
	4700901224	1	Fuse	3A
	4700791042	1	Fuse	40A

- A) Replaced by Cable harness P/N:4700386965
- B) Replaced by 4700376898
- D) Cover for fuse holder
- E) Type Hitachi
- F) Type Varta

Electrical equipment From SN 70030393

17648-3



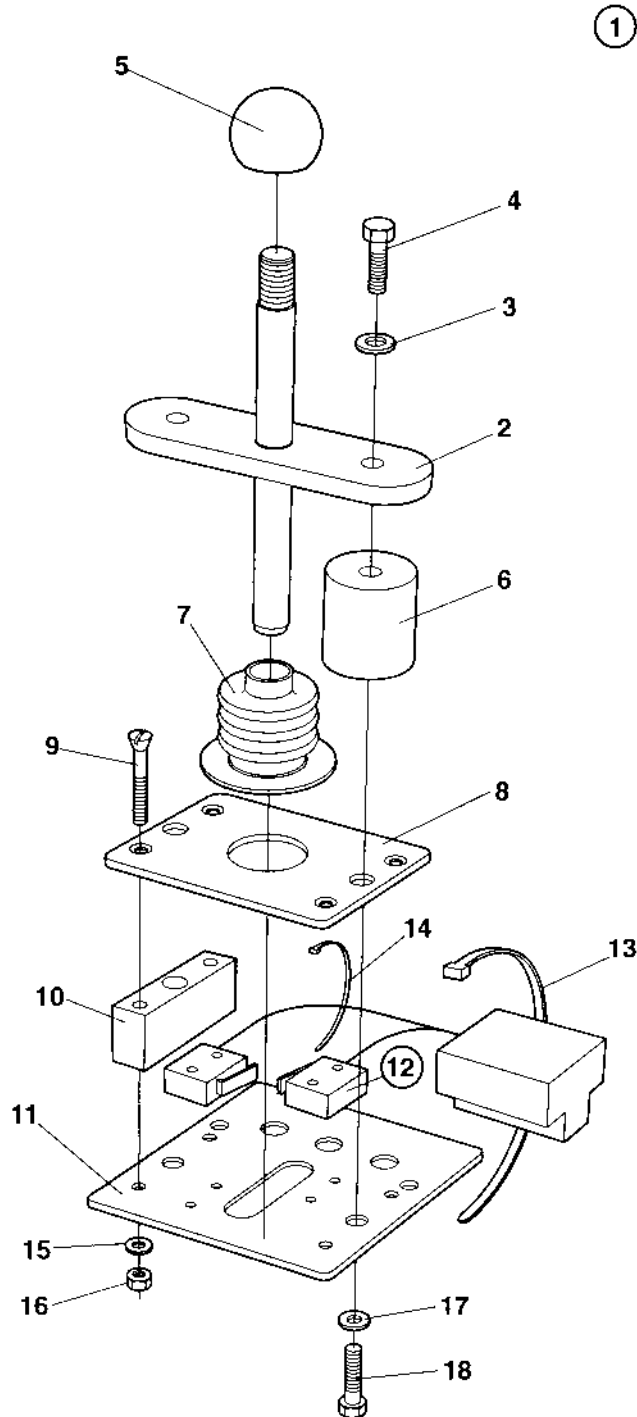
Electrical equipment From SN 70030393

Item	Part No.	Rem. Qty	Description	Code
44	4700792040	1	Connection cable From 70030600	
45	4700376867	1	Cover	
46	4700904967	2	Screw	
47	4700928927	2	Lock nut	
48	4700570001	C 2	Nut	
49	4700904967	C 2	Screw	
50	4700385600	C 1	Hour meter	
51	4700921039	1	Pipe clamp	
52	4700791060	1	Diode From 7030529	
53	4700500040	G 2	Screw Up to 70030875	M6-1x20 8,8
54	4700904228	G 2	Washer Up to 70030875	6,4x12x1,5
55	4700570101	G 2	Nut Up to 70030875	M6

- C) Option
G) Use together with battery type Varta

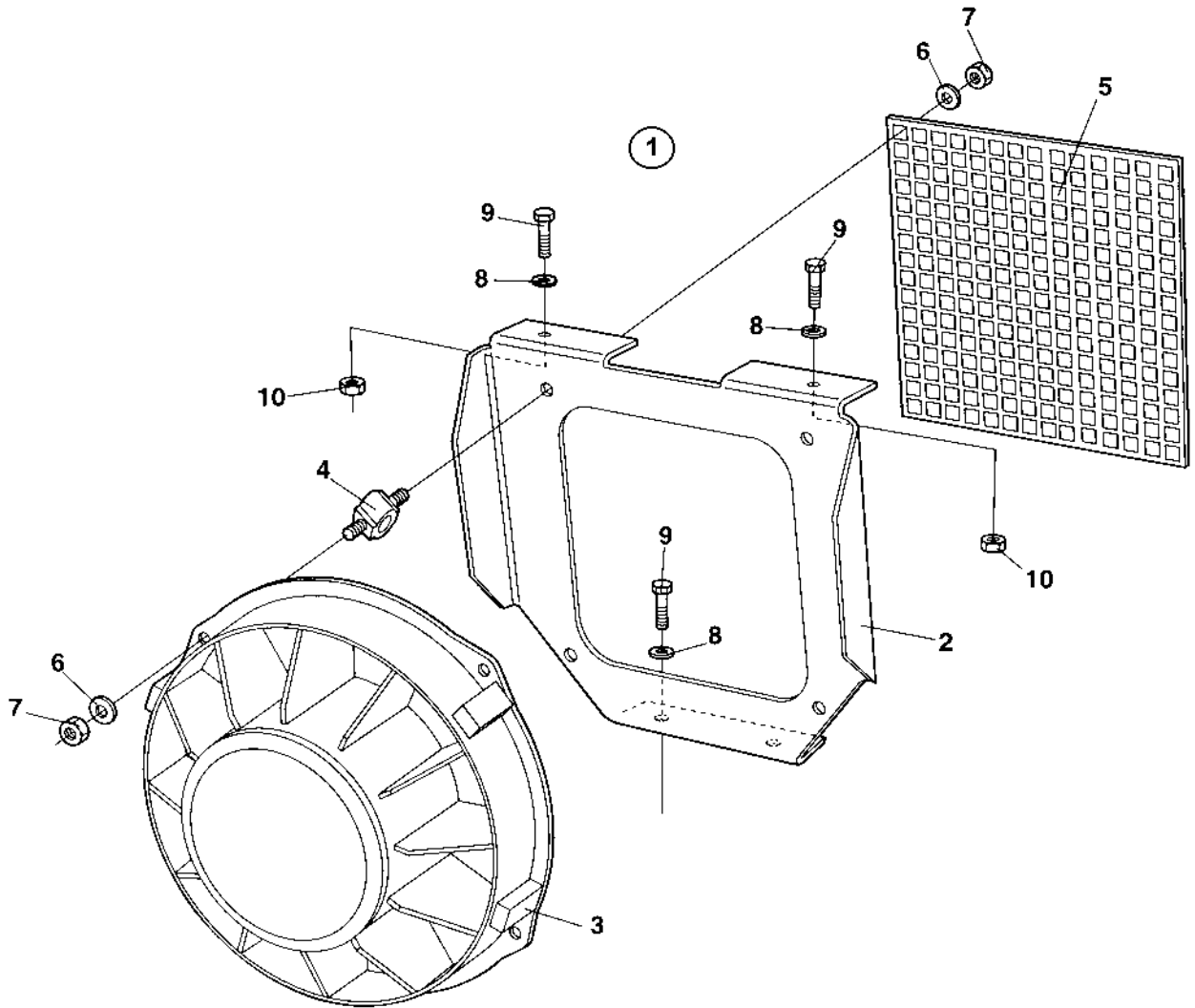
Joystick

17093



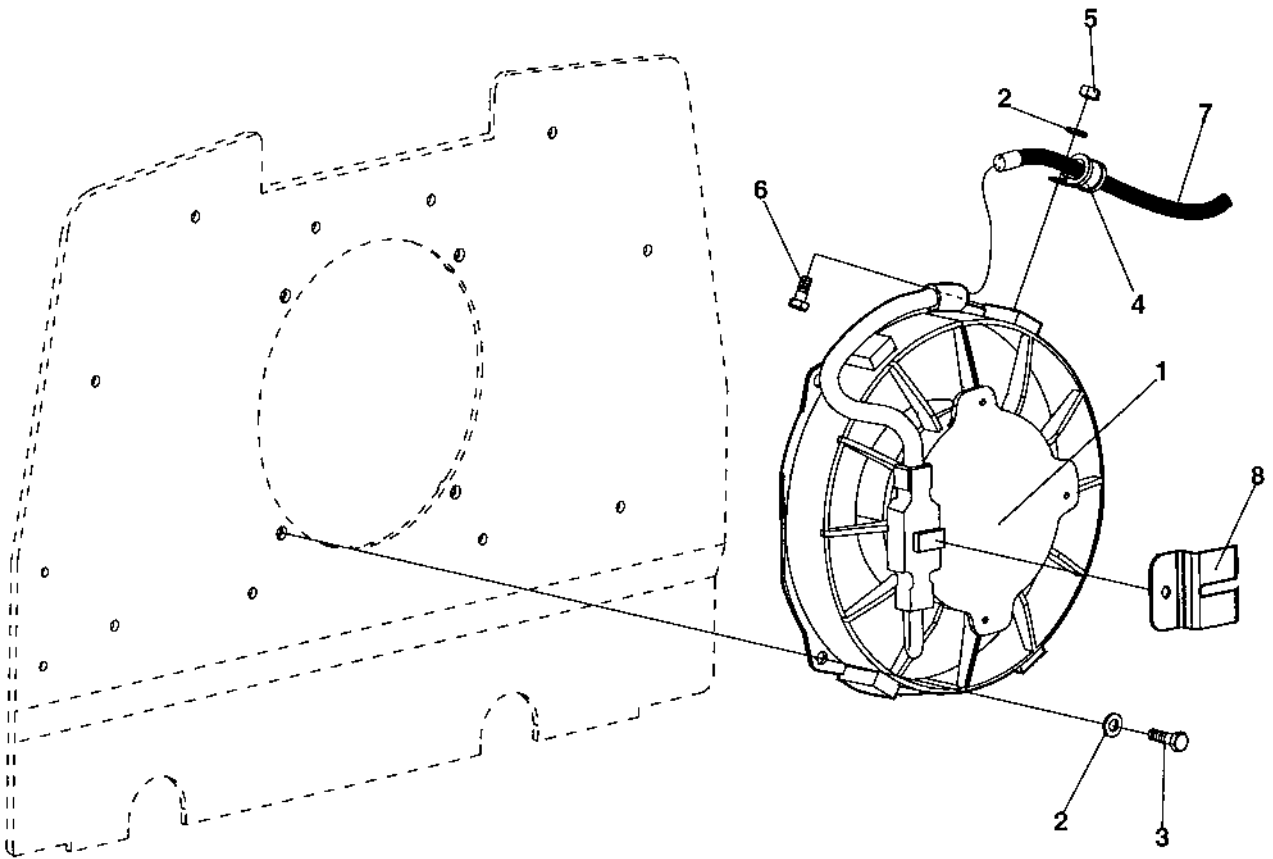
Joystick

Item	Part No.	Rem. Qty	Description	Code
		1	Joystick, cpl	
2	4700382190	1	.Lever	
3	4700904228	2	.Washer	6,4x12x1,5
4	4700500059	2	.Screw	
5	4700312001	1	.Handle grip	
6	4700382204	2	.Shock absorber	
7	4700382197	1	.Bellows	
8	4700382188	1	.Bracket	
9	4700904886	4	.Screw	
10	4700382185	2	.Spacer	
11	4700382186	1	.Bracket	
12	4700384267	1	.Micro switch, cpl	
	4700382202	2	..Micro switch	
	4700903897	3	..Push-on terminal male	
	4700904257	1	..Connector, plug	
13	4700925802	2	.Cable ties	L=142 mm
14	4700313068	1	.Cable ties	L=92 mm
15	4700904697	4	.Washer	3,2x6x0,5
16	4700570001	4	.Nut	
17	4700904228	2	.Washer	6,4x12x1,5
18	4700500014	2	.Screw	M6x22



Fan Up to SN 70030392

Item	Part No.	Rem. Qty	Description	Code
1		1	Fan	
2	4700284206	1	.Bracket	
3	4700902176	1	.Fan	D
4	4700904818	4	.Shock absorber	
5	4700284207	1	.Grid	
6	4700904281	8	.Washer	5,3x10x1 300HV
7	4700570002	8	.Nut	M4
8	4700904229	6	.Washer	8,4x16x1,5
9	4700500053	4	.Screw	M8x20H 8.8
10	4700570005	2	.Nut	M8



Fan From SN 70030393

Item	Part No.	Rem. Qty	Description	Code
1	4700386287	1	Fan	
2	4700904228	7	Washer	6,4x12x1,5
3	4700500040	4	Screw	M6-1x20 8,8
4	4700921039	1	Pipe clamp	
5	4700570004	3	Nut	M6X1,00 -8 A2K
6	4700500185	1	Screw	M6-1x14 8,8
7		A	Cable harness	
8		1	Bracket	

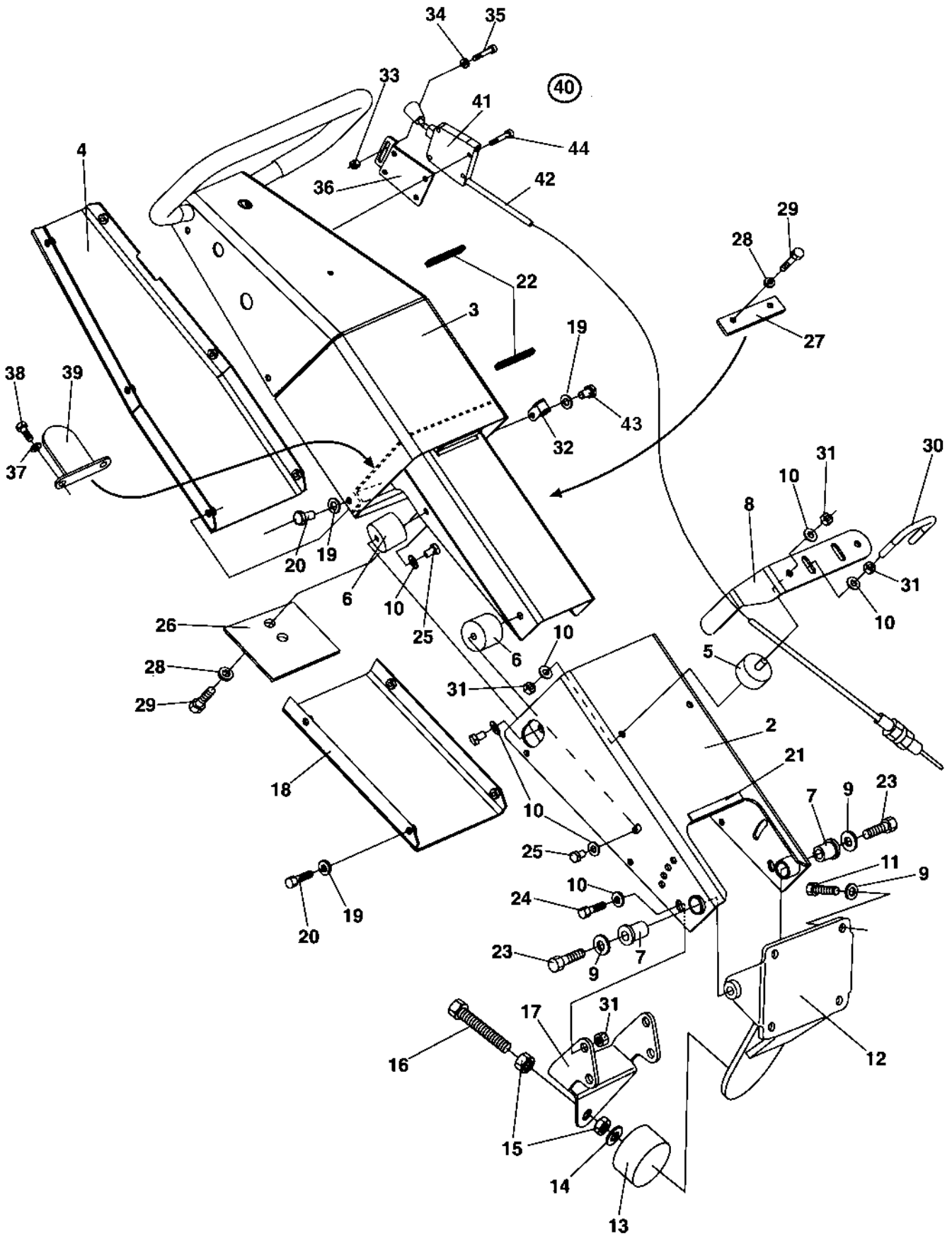
A) See section electric equipment

Handle

Item	Part No.	Rem. Qty	Description	Code
10			Handle (Page 60)	Up to S/N: 70030599
20			Handle (Page 62)	From S/N: 70030600

Handle Up to S/N: 70030599

16722-1



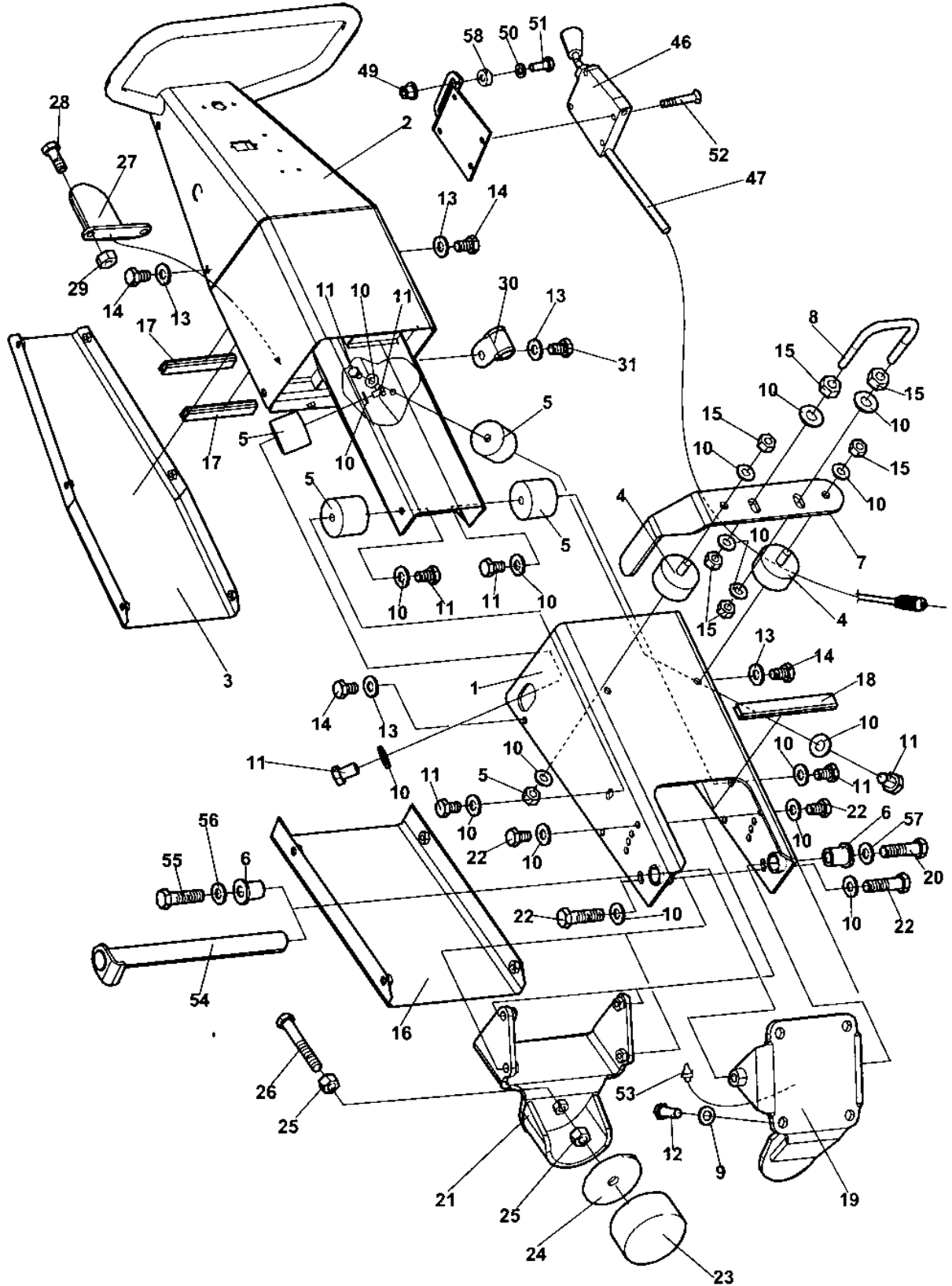
Handle Up to S/N: 70030599

Item	Part No.	Rem. Qty	Description	Code
2	D284338-02	1	Handle, lower part	
3	4700284315	1	Handle, upper part	
4	4700284320	1	Cover	
5	4700281431	2	Shock absorber	B
6	D100900827	4	Shock absorber Up to 70030263	
	D100900807	4	Shock absorber From 70030264	
7	4700284323	2	Sleeve	
8	4700284329	1	Lever	
9	4700904231	6	Washer	13x24x2 300 HV
10	4700904230	24	Washer	
11	4700947688	4	Screw	M12x35H
12	4700381302	1	Bracket	
13	4700904783	1	Shock absorber Up to 70030263	
	4700904884	1	Shock absorber From 70030264	
14	4700821255	1	Washer	
15	4700928849	2	Nut	M12-1,75
16	4700500166	1	Screw Up to 70030392	M12x100H 8,8 FZB
	4700500117	1	Screw From 70030393	M12x80H 8,8
17	4700381306	C 1	Bracket	
	4700386194	1	Bracket	
18	4700284339	1	Cover	
19	4700904229	12	Washer	8,4x16x1,5
20	4700500019	10	Screw	
21	4700902379	B 1XL	Edge trim	
22	4700202028	A 2XL	Edge trim	
23	4700500056	2	Screw	
24	4700500029	4	Screw	
25	4700500043	8	Screw	M10x16H 8,8
26	4700284210	1	Protector	
27	4700284209	1	Protector	
28	4700928381	4	Washer	6,4x18x1,6
29	4700500013	4	Screw	M6-1x16 8,8
30	4700284330	1	Retainer	
31	4700570006	12	Nut	
32	4700921072	1	Clamp	
33	4700902285	1	Lock nut	M6
34	4700904228	1	Washer	6,4x12x1,5
35	4700500013	1	Screw	M6-1x16 8,8
36	4700284365	1	Bracket	
37	4700904228	2	Washer	6,4x12x1,5
38	4700500013	2	Screw	M6-1x16 8,8
39	4700284364	1	Retainer	
40	4700380947	1	Throttle controls	
41	4700455019	1	.Throttle handle	
	4700238443	1	..Square nipple	
42	4700286448	1	.Throttle wire	
43	4700500188	2	Screw	M8-1,25x14 8,8
44	4700904747	4	Screw	M5X30

- A) L=80mm
 B) L=140mm
 C) Replaced by P/N 4700386194

Handle From S/N: 70030600

18192-1



Handle From S/N: 70030600

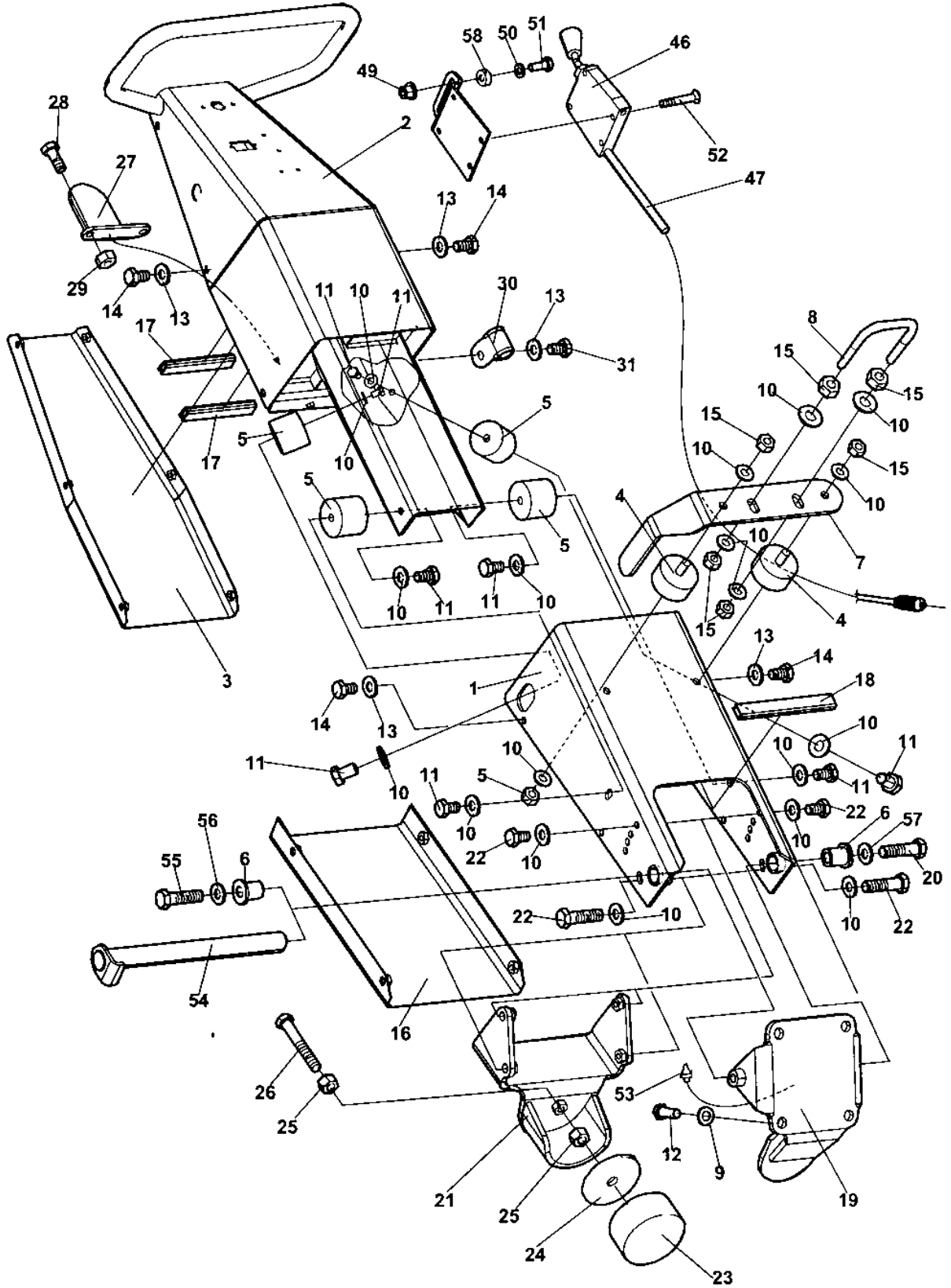
Item	Part No.	Rem. Qty	Description	Code
1	D284338-02	1	Handle, lower part	
2	D377304-02	1	Handle, upper part	
3	4700284320	1	Cover	
4	4700281431	2	Shock absorber	B
5	D100900807	4	Shock absorber	
6	4700284323	2	Sleeve Up to 70030617	
7	4700284329	1	Lever	
8	4700284330	1	Retainer	
9	4700904231	4	Washer	13x24x2 300 HV
10	4700904230	20	Washer	
11	4700500043	8	Screw	M10x16H 8,8
12	4700947688	4	Screw	M12x35H
13	4700904229	11	Washer	8,4x16x1,5
14	4700500019	10	Screw	
15	4700570006	8	Nut	
16	4700284339	1	Cover	
17	4700287724	2XL	Edge trim	
18	4700902379	1XL	Edge trim	
19	4700381302	1	Bracket Up to 70030617	
	D377573-01	1	Bracket From 70030618	
20	4700500056	1	Screw Up to 70030617	
	4700500035	1	Screw From 70030618	M12x020H
21	4700386194	1	Bracket	
22	4700500029	4	Screw	
23	4700904884	1	Shock absorber	
24	4700821255	1	Washer	
25	4700928849	2	Nut	M12-1,75
26	4700500117	1	Screw	M12x80H 8,8
27	4700284364	1	Retainer	
28	4700500013	2	Screw	M6-1x16 8,8
29	4700904228	2	Washer	6,4x12x1,5
30	4700921072	1	Clamp	
31	4700500188	1	Screw	M8-1,25x14 8,8
		1		
33	4700902285	1	Lock nut	M6
34	4700904228	1	Washer	6,4x12x1,5
35	4700500013	1	Screw	M6-1x16 8,8
36	4700284365	1	Bracket	
37	4700904228	2	Washer	6,4x12x1,5
38	4700500013	2	Screw	M6-1x16 8,8
39	4700284364	1	Retainer	
40	4700380947	1	Throttle controls	
41	4700455019	1	.Throttle handle	
	4700238443	1	..Square nipple	
42	4700286448	1	.Throttle wire	
43	4700500188	2	Screw	M8-1,25x14 8,8
44	4700904747	4	Screw	M5X30
45	4700380947	1	Throttle controls	
46	4700455019	1	.Throttle handle	
	4700238443	1	.Square nipple	
47	4700286448	1	.Throttle wire	
48	4700284365	1	Bracket	
49	4700902285	1	Lock nut	M6
50	4700904228	1	Washer	6,4x12x1,5
51	4700500013 E	1	Screw	M6-1x16 8,8
	4700508025 F	1	Screw	M6x20
52	4700904747	4	Screw	M5X30
53	4700926214	1	Grease fitting From 70030618	D

E) Old version

F) New version, use together with item 58

Handle From S/N: 70030600

18192-1



Handle From S/N: 70030600

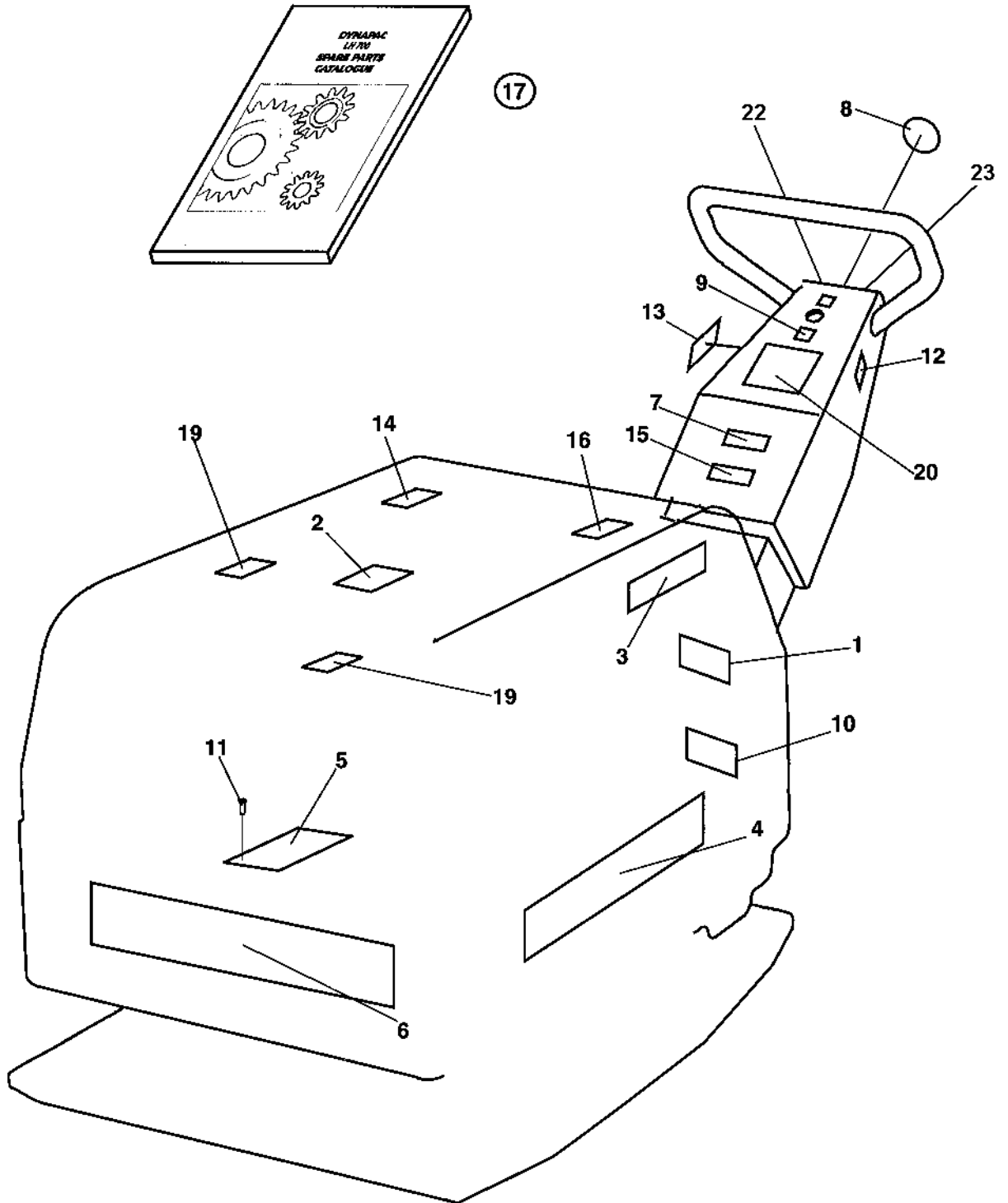
Item	Part No.	Rem. Qty	Description	Code
54	4700377574	1	Shaft From 70030618	
55	4700500056	1	Screw Up to 70030617	
56	4700904231	1	Washer Up to 70030617	13x24x2 300 HV
57	4700904231	1	Washer Up to 70030617	13x24x2 300 HV
	4700904213	1	Washer From 70030618	
58	4700394417	1	Spacer	

Decals and documentation

Item	Part No.	Rem. Qty	Description	Code
10			Decals and documentation (Page 68)	

Decals and documentation

16980-4



Decals and documentation

Item	Part No.	Rem. Qty	Description	Code
1	4700903423	1	Decal "SAFETY"	
2	4700281269	1	Decal "LIFT"	
3	4700904700	2	Decal "MODEL CODE"	
4	4700904096	2	Decal "DYNAPAC"	L=420 mm
5	4700281270	1	Sign plate	
6	4700904097	1	Decal "DYNAPAC"	L=290 mm
7	4700904680	1	Decal "Read instruction manual"	
8	4700281898	1	Decal "Ear protection"	
9	4700284278	2	Decal	
10	4700908229	1	Safety decal	
11	4700527002	8	Drive screw	
12	4700284285	1	Decal	
13	4700112406	1	Decal "VIBRATION"	
14	4700272373	1	Decal "HYDRAULIC OIL"	
15	4700904785	1	Safety decal	
16	4700381371	1	Decal "FUEL"	
17		1	Documentation	
		1	Instruction book, Hatz	
		1	Safety instruction	LSAFEWO
		1	Spare parts catalogue	SLH700
		1	Operation and maintenance	ILH300
		1	Warranty registration certificate	
		1	Warranty conditions	
18	4700791297	1	Decal "Sound power level"	109dB
19	4700388966	2	Decal "Engine wash"	
20	4700388967	1	Decal " Start instruction"	
21	4700791436	1	Decal "Charging" From 70030600	D
22	4700791437	1	Decal "OIL PRESSURE" From 70030600	D
		1		D

NUMERICAL INDEX

Part Number	Page	Part Number	Page	Part Number	Page
4700111022	21,23	4700281547	21	4700373476	13,15
4700112406	69	4700281549	21	4700376867	51
4700150002	21	4700281555	21	4700376898	49
4700150020	21	4700281556	21	4700377574	63
4700150025	21	4700281590	7	4700379100	29
4700151008	21,23	4700281852	35,37	4700380155	21
4700151011	21	4700281898	69	4700380384	41
4700160031	41	4700283075	7	4700380646	41
4700162010	7	4700283954	21	4700380647	41
4700162011	21	4700283955	21	4700380690	11
4700162019	17	4700283962	27	4700380927	41
4700162028	41	4700283976	21	4700380940	41
4700202028	15,37,61	4700284030	17	4700380941	41
4700232095	33	4700284046	7	4700380945	41
4700232143	21	4700284048	11	4700380947	61,63
4700232246	7	4700284050	11	4700380948	47,49
4700234480	41	4700284081	21	4700380951	47,49
4700234481	41	4700284086	7	4700380953	35
4700234993	43	4700284095	7	4700381062	43
4700238158	47,49	4700284099	35,37	4700381295	9
4700238236	47,49	4700284112	21	4700381301	13
4700238352	31	4700284113	41	4700381302	61,63
4700238443	61,63	4700284153	17	4700381306	61
4700239326	27,29	4700284179	41	4700381307	13
4700239335	29	4700284196	47	4700381308	13
4700239423	27,29	4700284197	47	4700381371	69
4700239437	35,37	4700284198	47	4700381388	35,37
4700239463	47,49	4700284199	47	4700381441	21
4700239466	47,49	4700284202	47	4700381442	21
4700239501	29	4700284206	55	4700381443	21
4700239519	27,29	4700284207	55	4700381529	41
4700239520	27	4700284209	61	4700381533	47,49
4700239521	27,29	4700284210	61	4700381542	13
4700239522	27,29	4700284278	69	4700381543	13,15
4700239523	27,29	4700284285	69	4700381544	13,15
4700239524	27,29	4700284314	7	4700381545	13,15
4700239525	27,29	4700284315	61	4700381546	13,15
4700239526	27,29	4700284320	61,63	4700381547	13
4700239527	27	4700284323	61,63	4700381548	13
4700239528	29	4700284329	61,63	4700381549	13
4700239529	27,29	4700284330	61,63	4700381550	13
4700239530	27,29	4700284339	61,63	4700381551	41
4700239531	27	4700284349	7	4700381552	41
4700239532	27,29	4700284364	61,63	4700381553	41
4700239550	31	4700284365	61,63	4700381590	11
4700244059	35,37	4700286448	61,63	4700381623	7
4700272373	69	4700287599	47	4700381635	13
4700281116	35,37	4700287724	63	4700381766	23
4700281228	35,37	4700312001	53	4700381767	21
4700281236	35,37	4700313002	33	4700381778	23
4700281269	69	4700313003	33	4700381783	23
4700281270	69	4700313006	41	4700381784	47
4700281431	61,63	4700313010	29	4700381882	7
4700281457	47,49	4700313068	35,53	4700382077	11
4700281501	21,23	4700313100	29	4700382182	21
4700281502	21,23	4700330328	33	4700382185	53
4700281534	21	4700334144	43	4700382186	53
4700281541	21	4700334203	41	4700382188	53
4700281542	21	4700334215	41	4700382190	53
4700281543	21	4700334238	43	4700382197	53
4700281544	21	4700350031	21	4700382202	53
4700281546	21	4700357138	41	4700382204	53

NUMERICAL INDEX

Part Number	Page	Part Number	Page	Part Number	Page
4700382547	47	4700500040	57	4700902379	61,63
4700382801	21	4700500043	37,41,61,63	4700902990	33
4700382815	43	4700500048	7,17	4700903423	69
4700382909	15	4700500049	7	4700903658	7,47,49
4700382910	15	4700500053	13,55	4700903670	37
4700382911	15	4700500056	61,63,65	4700903897	53
4700383022	29	4700500059	53	4700904036	49
4700383026	37	4700500075	13,15	4700904076	15,37
4700383117	29	4700500079	35	4700904096	69
4700383292	49	4700500117	61,63	4700904097	69
4700383312	29	4700500135	11	4700904206	15
4700383379	15	4700500154	9	4700904209	13
4700383380	15	4700500166	61	4700904213	7,65
4700383381	15	4700500184	49	4700904228	9,13,15,21,35,37
4700383382	15	4700500185	33,49,57		47,51,53,57,61
4700383383	15	4700500188	9,33,61,63		63
4700383384	15	4700500195	35,37	4700904229	9,17,41,49,55,61
4700383385	15	4700500196	7		63
4700383387	7	4700508005	41,49	4700904230	7,17,21,37,41,61
4700383398	15	4700508019	41		63
4700384200	49	4700508020	35,37	4700904231	35,37,61,63,65
4700384267	53	4700508025	63	4700904232	7,9,21
4700384315	49	4700508032	21	4700904233	11
4700384418	47,49	4700508057	41	4700904257	53
4700384419	47	4700508069	41	4700904281	35,37,49,55
4700384487	33	4700508092	41	4700904428	47,49
4700384502	47,49	4700527002	69	4700904632	21
4700384531	33	4700570001	51,53	4700904637	21
4700385250	37	4700570002	55	4700904640	13
4700385599	49	4700570004	13,15,57	4700904649	7
4700385600	51	4700570005	17,55	4700904650	7
4700386173	49	4700570006	61,63	4700904653	7
4700386186	49	4700570007	7	4700904654	17
4700386187	37	4700570008	7,9	4700904655	7,13,15
4700386194	61,63	4700570101	51	4700904656	17
4700386196	49	4700573002	49	4700904680	69
4700386287	57	4700586001	35,37	4700904697	53
4700386686	7	4700603007	9,11	4700904700	69
4700386965	49	4700791042	49	4700904742	7
4700387473	33	4700791058	49	4700904743	17
4700387474	33	4700791060	51	4700904744	41
4700387480	33	4700791083	47,49	4700904747	61,63
4700388959	49	4700791092	47,49	4700904783	61
4700388966	69	4700791093	47,49	4700904785	69
4700388967	69	4700791104	33	4700904798	13,15
4700391137	49	4700791169	7	4700904811	23
4700394099	9	4700791171	15	4700904818	55
4700394372	7	4700791297	69	4700904884	61,63
4700394417	65	4700791436	69	4700904886	53
4700395689	9	4700791437	69	4700904923	23
4700450066	7	4700791979	49	4700904938	29
4700455019	61,63	4700792040	49	4700904953	29
4700482100	41	4700821255	61,63	4700904967	51
4700483211	41	4700900564	21	4700908229	69
4700499127	41	4700900565	21	4700912453	31
4700500012	23	4700900566	21	4700921031	47,49
4700500013	9,47,61,63	4700901224	49	4700921036	9
4700500014	53	4700901228	49	4700921039	37,51,57
4700500019	61,63	4700902176	55	4700921056	33
4700500029	61,63	4700902284	7,47,49	4700921072	47,61,63
4700500035	63	4700902285	47,49,61,63	4700921078	33
4700500040	21,37,47,49,51	4700902295	41	4700921116	33

NUMERICAL INDEX

Part Number	Page	Part Number	Page	Part Number	Page
4700921119	41	4700937581	31,33		
4700923405	41,43	4700937582	31,33		
4700924543	7	4700937583	31		
4700925208	11	4700937661	43		
4700925802	53	4700937666	43		
4700926214	63	4700937695	43		
4700927411	11	4700937696	43		
4700928381	61	4700937697	43		
4700928792	21	4700937698	43		
4700928797	21,23	4700937699	43		
4700928849	61,63	4700937700	43		
4700928927	51	4700938142	43		
4700929291	21	4700938278	29		
4700930151	47	4700938310	29		
4700930154	47,49	4700938328	33		
4700930163	47,49	4700938329	33		
4700930200	47,49	4700938330	33		
4700935223	27,29	4700938331	33		
4700935608	27,29	4700938332	33		
4700936910	29	4700938333	33		
4700936950	33	4700938334	33		
4700936972	33	4700938339	33		
4700937416	27,29	4700938342	29		
4700937417	27	4700939518	41		
4700937418	27,29	4700940313	49		
4700937419	27	4700947683	7		
4700937420	27	4700947686	7		
4700937421	31	4700947688	61,63		
4700937422	31	4700960727	9,41		
4700937423	31	4700985012	47,49		
4700937424	31	4790407401	41		
4700937425	31,33	D100900807	61,63		
4700937426	31,33	D100900827	61		
4700937427	31,33	D283975-02	17		
4700937428	31,33	D284094-01	7		
4700937429	31	D284166-02	17		
4700937430	31,33	D284237-03	7		
4700937431	31,33	D284338-02	61,63		
4700937432	31,33	D308000501	41		
4700937433	31	D377304-02	63		
4700937434	31,33	D377573-01	63		
4700937435	31	D381811-03	7		
4700937436	31,33	D382076-03	11		
4700937437	31				
4700937438	31,33				
4700937439	27				
4700937440	27,29				
4700937441	27				
4700937442	27,29				
4700937443	27,29				
4700937445	27,29				
4700937446	27				
4700937447	27,29				
4700937448	27,29				
4700937449	27,29				
4700937450	27,29				
4700937451	27,29				
4700937452	27,29				
4700937453	27,29				
4700937454	27,29				
4700937455	27				
4700937456	27,29				

