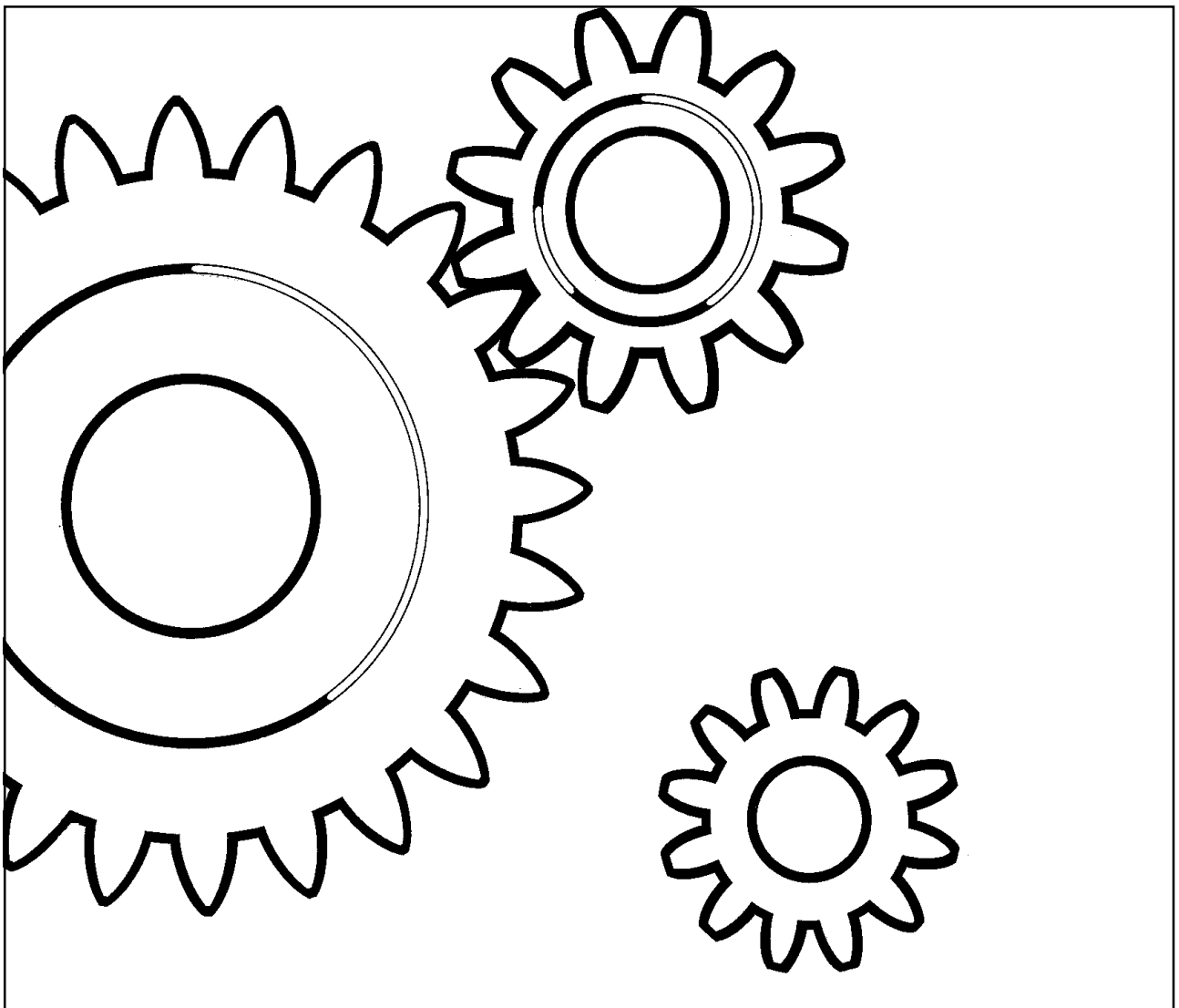


DYNAPAC
LG300
SPARE PARTS
CATALOGUE
SLG300-2EN3



DYNAPAC

Part of the Atlas Copco Group

Atlas Copco Construction Tools AB

SE-105 23 Stockholm, Sweden

Forward and Reverse Plate Compactor LG300 Spare Parts Catalogue SLG300-2EN3

Valid from serial number:

13000001-

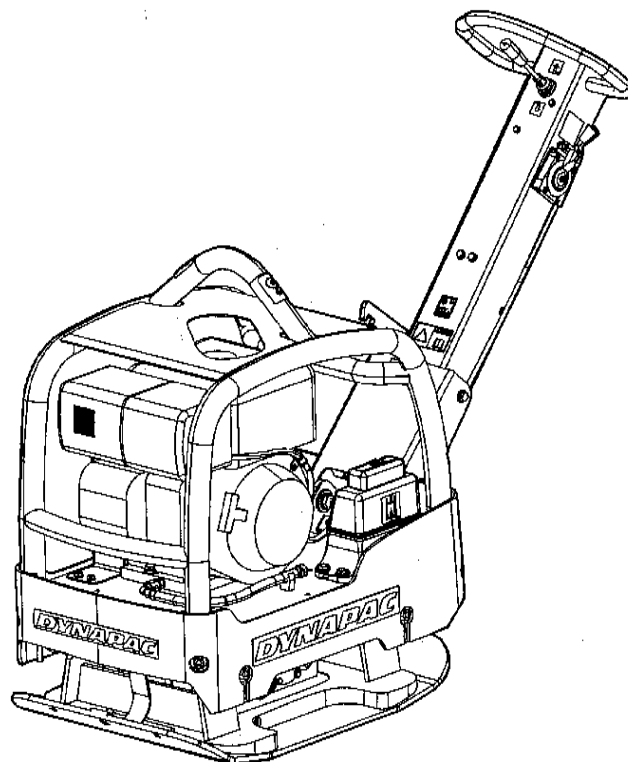
Engines:

Honda GX270

Hatz IB30

Published catalogue issues valid for these plate compactors:

| <i>Catalogue</i> | <i>Issue date</i> | |
|------------------|-------------------|--------------------------------|
| SLG300-2EN0 | 2005 - 10 | <i>Replaced by SLG300-2EN1</i> |
| SLG300-2EN1 | 2006 - 06 | <i>Replaced by SLG300-2EN2</i> |
| SLG300-2EN2 | 2008 - 01 | <i>Replaced by SLG300-2EN3</i> |
| SLG300-2EN3 | 2009 - 04 | |



RESERVDLSBESTÄLLNING

Följande uppgifter ska lämnas vid beställning av reservdelar för att undvika leveransfel:

1. Maskintyp.
2. Vältens serienummer.
3. Antal av önskad reservdel.
4. Reserdelens artikelnummer.
5. Reservdelens benämning.
6. Måttuppgifter vid beställning av metervara.

ERSATZTEILBESTELLUNG

Zur Vermeidung von Fehllieferungen sind bei der Bestellung von Ersatzteilen folgende Angaben zu machen:

1. Maschinentyp.
2. Herstellungsnummer.
3. Bestellmenge. (Quantity)
4. Ersatzteilnummer. (Part N°)
5. Ersatzteilbenennung. (Denomination)
6. Massangaben bei Bestellung von Meterware.

PEDIDO DE RECAMBIOS

Para evitar errores en las entregas, deberán indicarse los siguientes datos al hacer un pedido de recambios:

1. Tipo de máquina.
2. Número de serie.
3. Cantidad de piezas deseadas. (Quantity)
4. Número de artículo de la pieza de recambio. (Part N°)
5. Denominación de la pieza. (Denomination)
6. Indíquese la medida al solicitar un artículo que se expide por metros.

ORDERING SPARE PARTS

To avoid errors in delivery, please give the following information when ordering spare parts:

1. Type of machine.
2. Roller serial number.
3. Quantity required.
4. Part number.
5. Parts denomination.
6. Dimensions when ordering per length.

ORDINI DI RICAMBI

Per evitare errori nelle consegne di ricambi, Vi preghiamo di comunicarci le seguenti informazioni al momento dell'ordinazione:

1. Tipo di macchina.
2. Numero di serie della macchina.
3. Quantità dei pezzi desiderati. (Quantity)
4. Numero di codice del pezzo. (Part N°)
5. Descrizione del pezzo di ricambio. (Denomination)
6. Misura, in caso di ordine per metro.

COMMANDE DE PIÈCES DE RECHANGE

Les indications suivantes doivent être fournies lors de la commande de pièces de rechange, afin d'éviter toute erreur de livraison:

1. Type de machine.
2. Numéro de série.
3. Quantité désirée de pièce de rechange. (Quantity)
4. Numéro de la pièce de rechange. (Part N°)
5. Dénomination de la pièce de rechange. (Denomination)
6. Longueur en cas de commande au mètre.

YOUR AGENT/DEALER:

PÄRMETIKETT

För att undvika fel vid reservdelsbeställning finns här nedan två etiketter som passar i fickorna på pärmarnas ryggar. På dessa kan man se från vilket vältnummer av aktuell maskin reservdelskatalogen gäller. Gör så här:

1. Tag denna sida ur pärmen.
2. Klipp ut etiketten till **VÄNSTER** (1) och sätt in den i fickan på **DENNA** pärmens rygg.
3. Finns det en etikett till **HÖGER** (2), kan denna användas på pärmen för **FÖREGÅENDE** utgåva av denna katalog.
4. Kasta detta papper.

KATALOG-BESCHRIFTUNG

Zur Vermeidung von Fehlern bei der Ersatzteilbestellung benutzen Sie bitte die unteren Beschriftungen, um die Kataloge auf der Rückseite zu kennzeichnen. Auf der Beschriftung ist angegeben, für welche Maschinennummern der jeweilige Katalog gültig ist. Ablauf:

1. Nehmen Sie dieses Blatt aus dem Katalog.
2. Schneiden Sie die **LINKE** Beschriftung (1) aus. Schieben Sie die Beschriftung in die tasche auf **DEM** Katalogrücke.
3. Sollte die Beschriftung unten **RECHTS** (2) mitgeliefert werden, kennzeichnen Sie damit bitte die **ÄLTERE** Ausführung dieses Kataloges.
4. Den Rest dieses Blattes bitte vernichten.

ETIQUETA PARA LA CARPETA

Para evitar errores al pedir repuestos utilicen las etiquetas abajo descritas para identificar los catálogos en la parte trasera de la carpeta. En la etiqueta se ven los números de referencia de la serie para la cual es válido el catálogo. Instrucciones:

1. Quitar esta página de la carpeta.
2. Corta la etiqueta **IZQUIERDA** (1) y ponerla en **ESTA** carpeta en la parte trasera.
3. Si hay una etiqueta en la parte **DERECHA** (2) se puede utilizar en la carpeta para el catálogo que **PRECEDE** a esta.
4. Tirar esta hoja.

BINDER LABEL

To avoid errors when ordering spare parts use the labels below to identify the catalogues on the back of the binder. The label contain the serial number range for which the catalogue is valid. Do like this:

1. Remove this page from the binder.
2. Cut out the **LEFT** label (1) and put it on **THIS** binders back.
3. If there is a label to the **RIGHT** (2), it can be used on the binder for **PRECEDING** issue of this catalogue.
4. Throw away this paper.

ETICHETTAPOSTASULRACCOGLITORE

Per evitare errori quando ordinate pezzi di ricambio, usate le etichette in calce che servono ad identificare i cataloghi sul retro del raccoglitore. L'etichetta indica il numero di matricola delle macchine prese in considerazione nel catalogo.

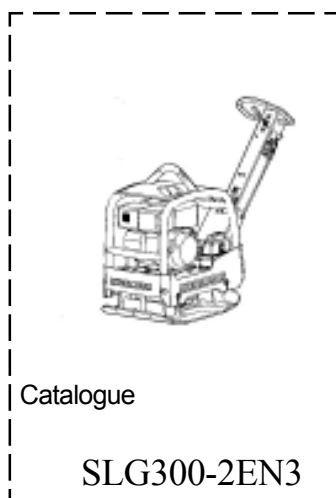
1. Rimuovete questa pagina dal raccoglitore.
2. Ritagliate l'etichetta posta a **SINISTRA** (1) e ponetela sul retro **DEL** raccoglitore.
3. Se trovate anche un'etichetta sulla **DESTRA** (2), ritagliatela e ponetela sul raccoglitore relativo alla **PRECEDENTE** edizione del catalogo.
4. Distruggete questo foglio.

ETIQUETAGE DU CATALOGUE

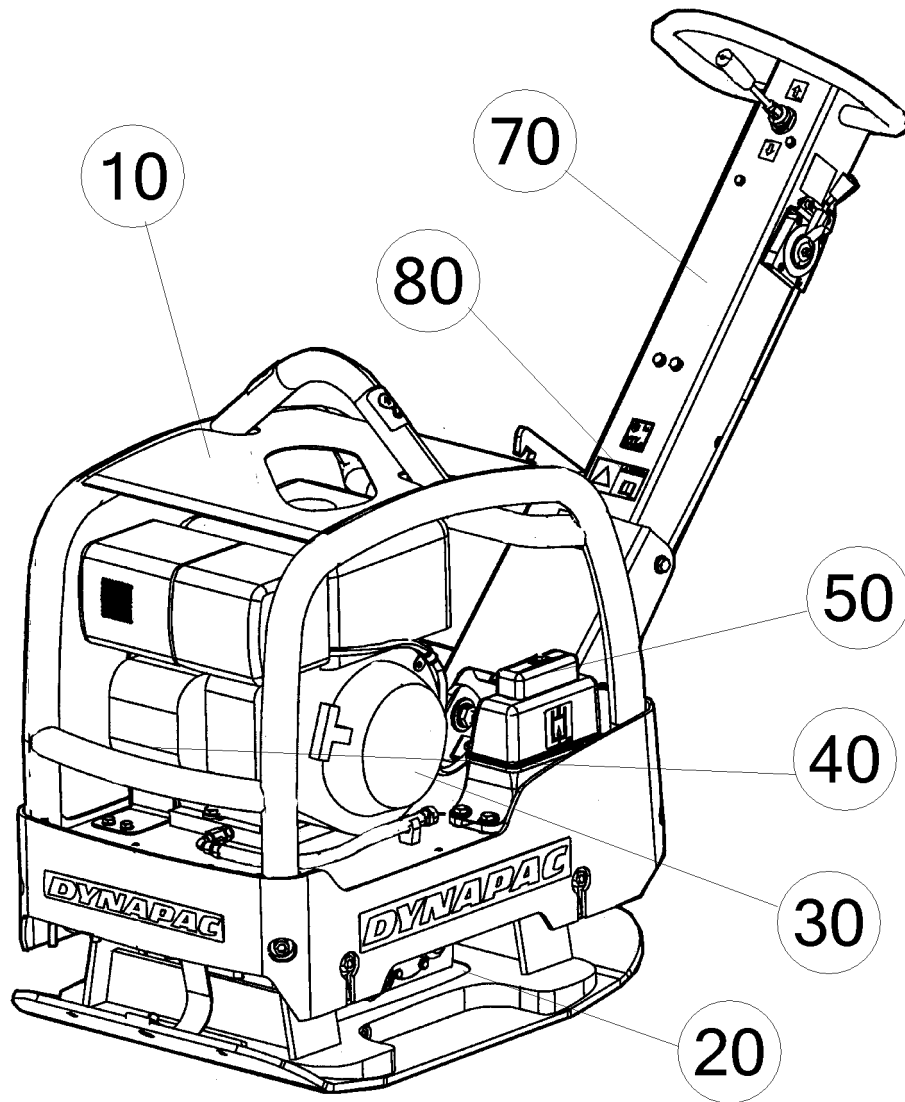
Afin d'éviter des erreurs lors de commandes de pièces de rechange, nous vous conseillons d'apposer les marquages ci-dessous à l'arrière du classeur, pour identifier les catalogues. Ce marquage indique les numéros de série pour lesquels le catalogue est adapté. Il convient de procéder de la façon suivante:

1. Retirez cette page du classeur.
2. Découpez l'étiquette de **GAUCHE** (1), et apposez-la à l'arrière de **CE** catalogue.
3. Si il y a une étiquette à **DROITE** (2), vous pourrez l'apposer sur le classeur de l'édition **PRECEDENTE** du catalogue.
4. Détruire cette feuille.

1.



| | |
|---|-----------|
| LG300 SN 13000001- | 2 |
| Main assy, engine plate and lower part | 4 |
| Main assy, engine plate and lower part | 6 |
| Hoods, Hatz version | 8 |
| Ground plate and eccentric element | 10 |
| Transport device New version | 12 |
| Option, block paving kit 500 mm | 14 |
| Option, block paving kit 600 mm | 16 |
| Eccentric element | 18 |
| Eccentric element | 20 |
| Piston, cpl | 22 |
| Engine and engine installation | 24 |
| Engine, cpl Honda | 26 |
| Engine installation, Honda | 28 |
| Engine Honda GX270 | 30 |
| Engine, cpl Hatz | 32 |
| Engine installation, Hatz Man. | 34 |
| Engine installation, Hatz.EL | 36 |
| Engine, Hatz 1B30 | 38 |
| Power transmission | 42 |
| Clutch Honda | 44 |
| Clutch Hatz | 46 |
| Belt tightener | 48 |
| Hydraulic system | 50 |
| Hydraulic diagram | 52 |
| Hydraulic pump installation | 54 |
| Hydraulic tank | 56 |
| Handle and throttle control | 58 |
| Handle | 60 |
| Throttle control, Honda | 62 |
| Throttle control, Hatz | 64 |
| Decals and documentation | 66 |
| Decals and documentation | 68 |



| Item | Part No | Rem Qty | Description | Code |
|-------------|----------------|----------------|---|-------------|
| 10 | | | Main assy, engine plate and lower part (Page 4) | |
| 20 | | | Eccentric element (Page 18) | |
| 30 | | | Engine and engine installation (Page 24) | |
| 40 | | | Power transmission (Page 42) | |
| 50 | | | Hydraulic system (Page 50) | |
| 70 | | | Handle and throttle control (Page 58) | |
| 80 | | | Decals and documentation (Page 66) | |

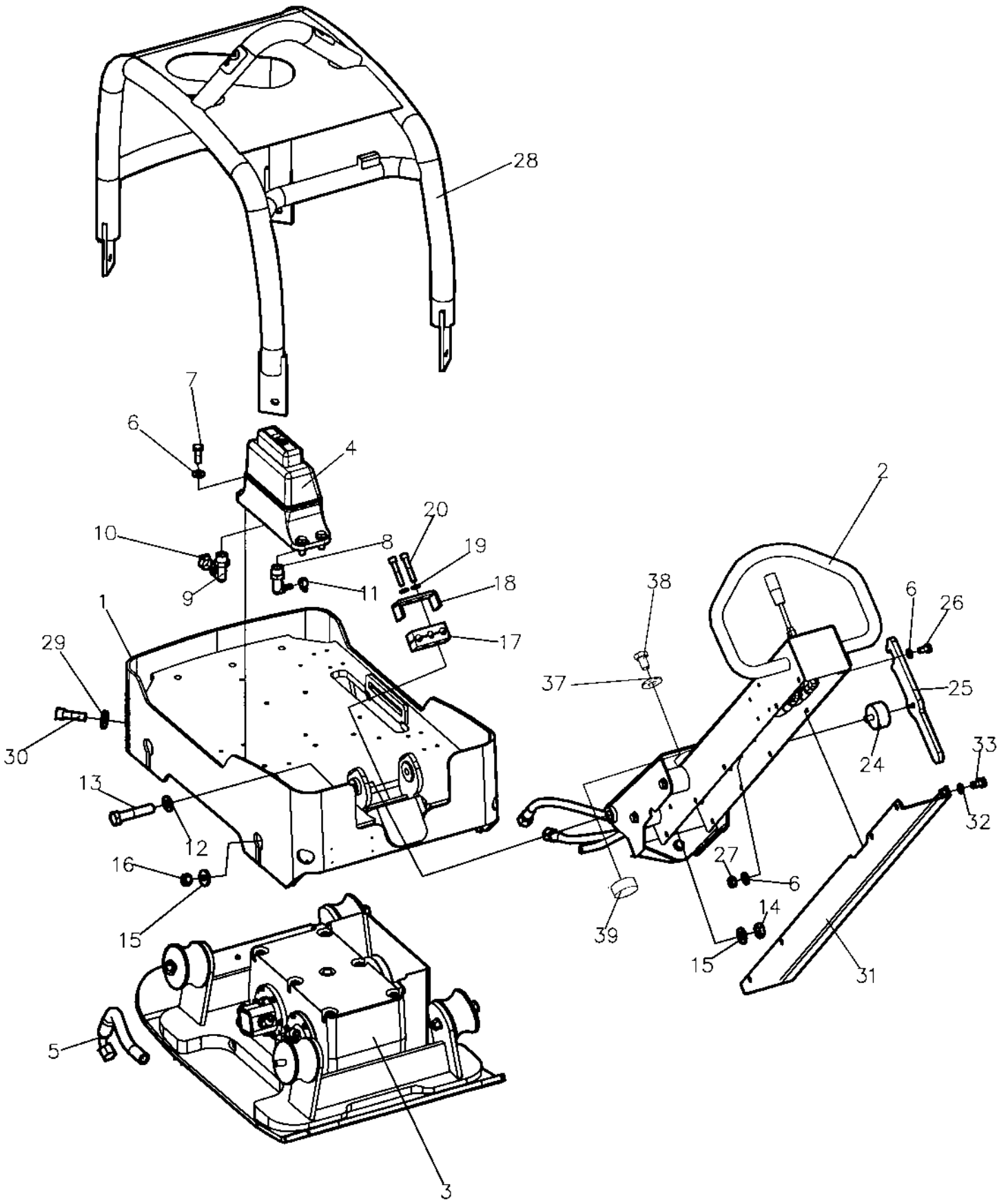
Main assy, engine plate and lower part

Main assy, engine plate and lower part

| Item | Part No | Rem Qty | Description | Code |
|-------------|----------------|----------------|---|-------------|
| 10 | | | Main assy, engine plate and lower part (Page 6) | |
| 15 | | | Hoods, Hatz version (Page 8) | |
| 20 | | | Ground plate and eccentric element (Page 10) | |
| 30 | | | Transport device (Page 12) | New version |
| 40 | | | Option, block paving kit 500 mm (Page 14) | |
| 50 | | | Option, block paving kit 600 mm (Page 16) | |

Main assy, engine plate and lower part

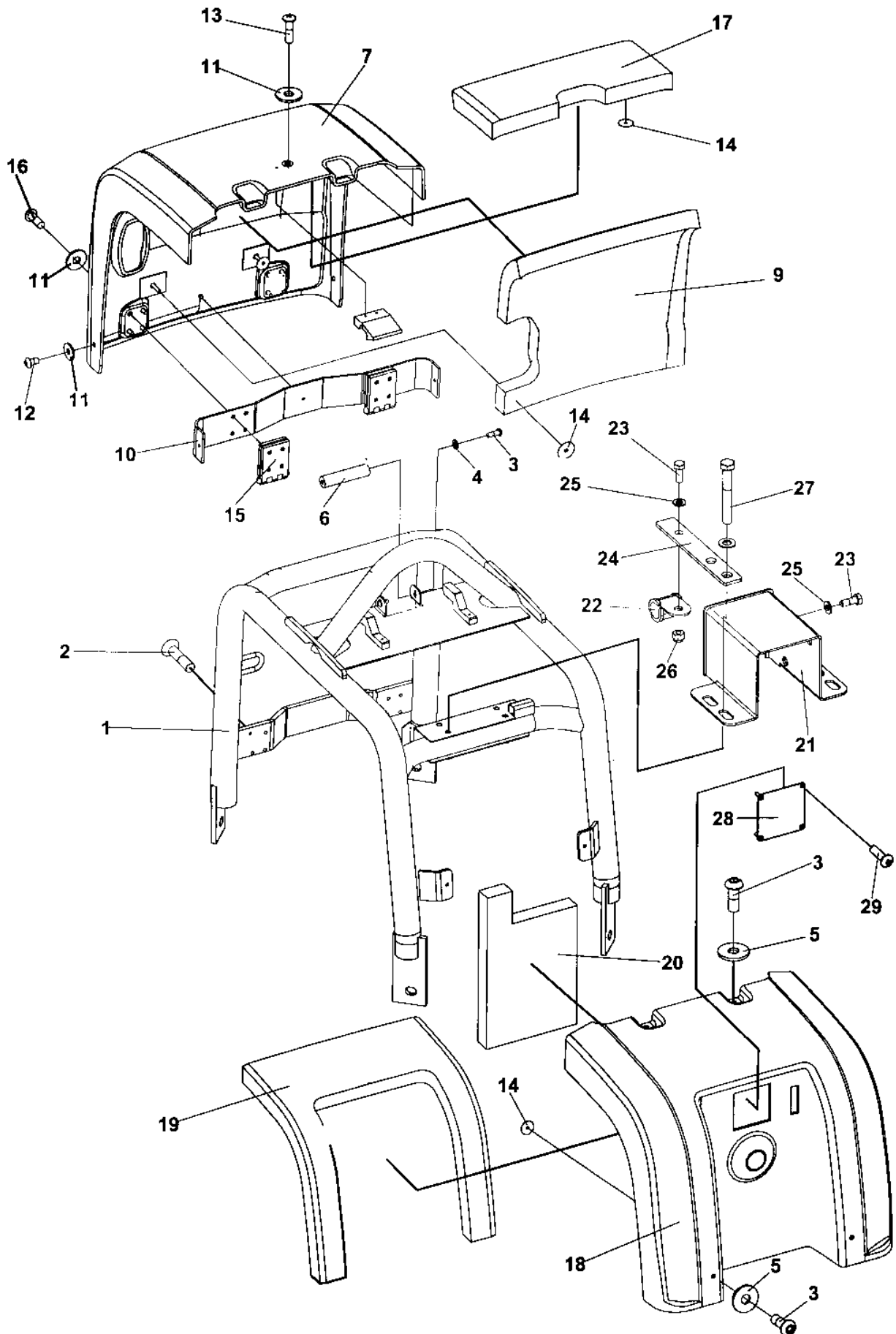
18213-2



Main assy, engine plate and lower part

| Item | Part No | Rem | Qty | Description | Code |
|------|------------|-----|-----|--|----------------|
| 1 | D391218-01 | | 1 | Engine plate | |
| 2 | | | | Handle (Page 60) | |
| 3 | | | | Ground plate and eccentric element (Page 10) | |
| 4 | | | | Hydraulic pump installation (Page 54) | |
| 5 | 4700379235 | | 1 | Hydraulic hose | |
| 6 | 4700904230 | | 6 | Washer | |
| 7 | 4700500029 | | 4 | Screw | |
| 8 | 4700376674 | | 1 | Adapter | |
| 9 | 4700376675 | | 1 | Adapter | |
| 10 | 4700313003 | | 1 | Hose clamp | D |
| 11 | 4700313008 | | 1 | Hose clamp | D |
| 12 | 4700904230 | | 4 | Washer | |
| 13 | 4700947700 | | 2 | Screw | |
| 14 | 4700573004 | | 2 | Nut | |
| 15 | 4700904213 | | 4 | Washer | |
| 16 | 4700570007 | | 4 | Hexagon nut | M12 |
| 17 | 4700280534 | | 1 | Rubber block | |
| 18 | D100505023 | | 1 | Bracket | |
| 19 | | | 1 | Not used on this model | |
| 20 | 4700500025 | | 2 | Screw | M8-1,25x50 8,8 |
| 24 | 4700385387 | | 1 | Shock absorber | |
| 25 | 4700379004 | | 1 | Hook | |
| 26 | 4700500048 | | 1 | Screw | M10-1,5x20 8,8 |
| 27 | 4700570006 | | 1 | Nut | |
| 28 | D376992-03 | A | 1 | Protective frame | |
| | D379030-03 | B | 1 | Protective frame | |
| 29 | 4700904213 | | 4 | Washer | |
| 30 | 4700508063 | | 4 | Screw | |
| 31 | D378624-03 | | 1 | Cover | |
| 32 | 4700904229 | | 10 | Washer | 8,4x16x1,5 |
| 33 | 4700500019 | | 1 | Screw | M8x16H 8.8 A2K |
| 34 | 4700904230 | | 1 | Washer | |
| 35 | 4700500043 | | 1 | Screw | M10x16H 8,8 |
| 36 | 4700791373 | | 1 | Shock absorber | |
| 37 | 4700904230 | D | 1 | Washer | |
| 38 | 4700500043 | D | 1 | Screw | M10x16H 8,8 |
| 39 | 4700791373 | D | 1 | Shock absorber | |
| | | | 1 | | |

- A) Honda
- B) Hatz
- D) Valid for Hatz version with electrical starter

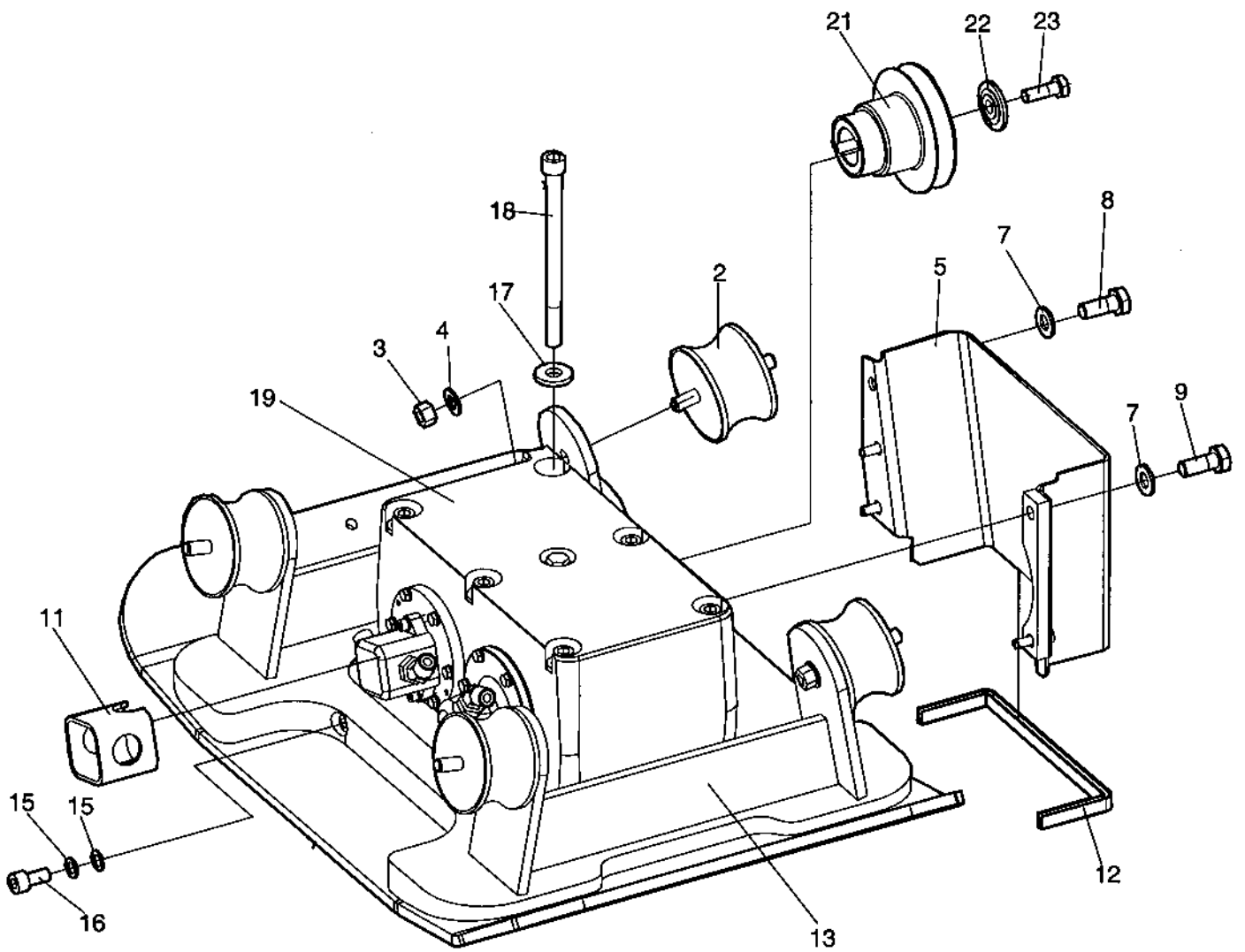


Hoods, Hatz version

| Item | Part No | Rem Qty | Description | Code |
|------|------------|---------|-------------------|----------------|
| 1 | | 1 | Protective frame | |
| 2 | 4700904649 | 8 | Screw | |
| 3 | 4700904206 | 6 | Screw | |
| 4 | 4700904228 | 2 | Washer | 6,4x12x1,5 |
| 5 | 4700904655 | 4 | Washer | |
| 6 | 4700379433 | 1 | Bar | |
| 7 | 4700379038 | 1 | Front hood | |
| 8 | 4700378927 | 2 | Clip | |
| 9 | 4700379045 | 1 | Insulation | |
| 10 | 4700379402 | 1 | Holder | |
| 11 | 4700904655 | 1 | Washer | |
| 12 | 4700902224 | 3 | Screw | M6x10 |
| 13 | 4700792208 | 2 | Screw | |
| 14 | 4700791234 | 14 | Insulating washer | |
| 15 | 4700381882 | 2 | Hinge | |
| 16 | 4700904206 | 8 | Screw | |
| 17 | 4700390485 | 1 | Insulation | |
| 18 | 4700379041 | 1 | Hood | |
| 19 | 4700379046 | 1 | Insulation | |
| 20 | 4700379047 | 1 | Insulation | |
| 21 | 4700378756 | 1 | Holder | |
| 22 | 4700921031 | 2 | Clamp | |
| 23 | 4700500013 | 6 | Screw | M6-1x16 8,8 |
| 24 | 4700390487 | 1 | Bracket | |
| 25 | 4700904228 | 4 | Washer | 6,4x12x1,5 |
| 26 | 4700586002 | 2 | Lock nut | M6 -8 |
| 27 | 4700500026 | 2 | Screw | M8-1,25x60 8,8 |
| 28 | 4700391406 | 1 | Cover | |
| 29 | 4700792208 | 4 | Screw | |

Ground plate and eccentric element

18214



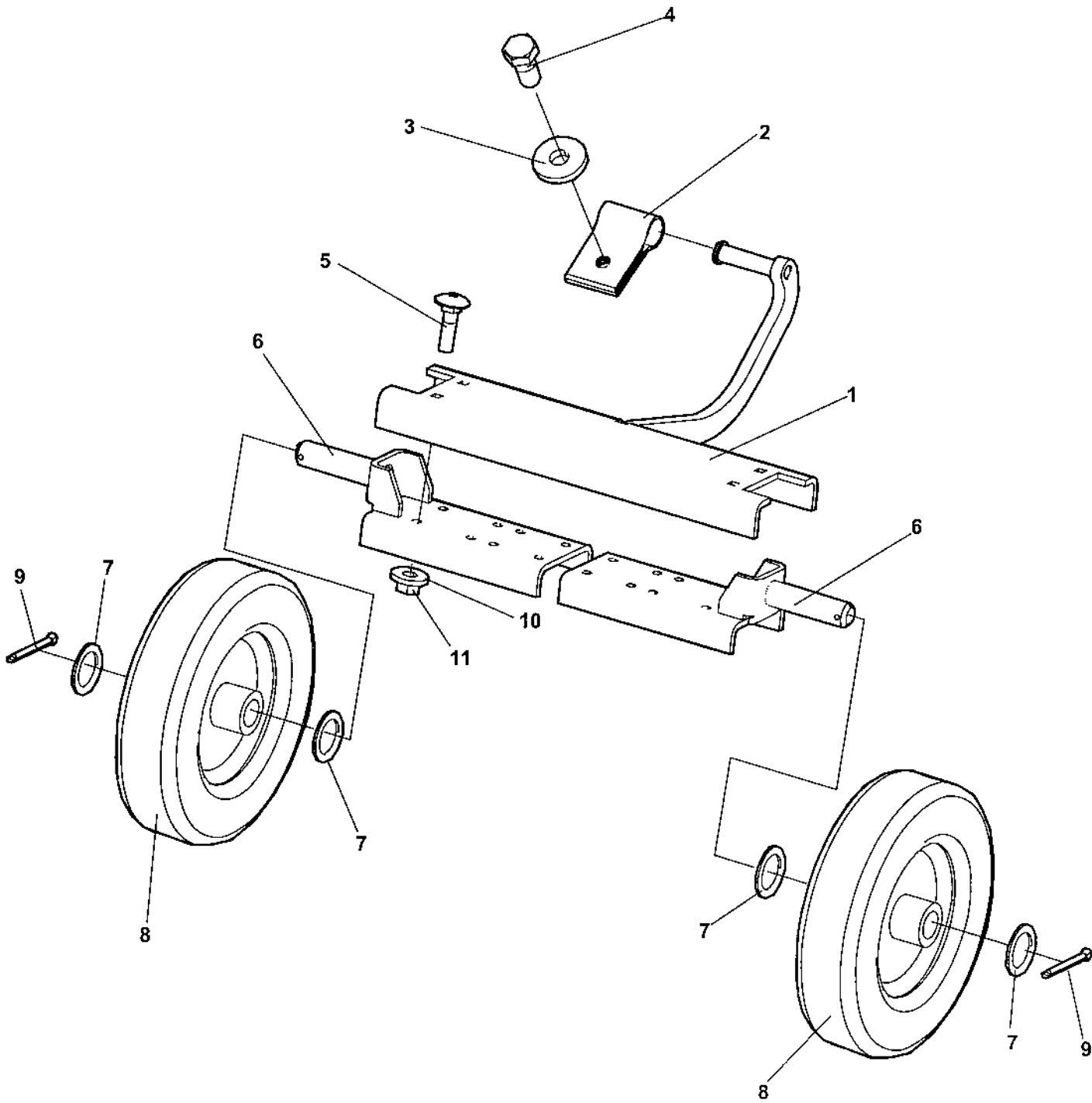
Ground plate and eccentric element

| Item | Part No | Rem | Qty | Description | Code |
|------|------------|-----|-----|-------------------------------|-----------------------|
| 2 | 4700280750 | | 4 | Shock absorber | B |
| 3 | 4700570007 | | 4 | Hexagon nut | |
| 4 | 4700904231 | | 4 | Washer | M12 13x24x2 300 HV |
| 5 | 4700378048 | | 1 | Belt guard | |
| 7 | 4700904229 | | 5 | Washer | 8,4x16x1,5 |
| 8 | 4700500053 | | 3 | Screw | M8x20H 8.8 |
| 9 | 4700500022 | | 2 | Screw | M8x30H 8.8 A2K |
| 11 | 4700280540 | | 1 | Cover | |
| 12 | | | 1 | Not used on this model | |
| 13 | 4700377624 | | 1 | Ground plate | |
| | 4700390396 | B | 1 | Ground plate | |
| 14 | | | 1 | Eccentric element (Page 20) | |
| 15 | 4700747541 | | 2 | Washer | D |
| 16 | 4700508028 | | 1 | Screw | |
| 17 | 4700904703 | | 6 | Washer | |
| 18 | 4700929454 | | 6 | Screw | |
| 21 | 4700377943 | | 1 | Pulley | |
| 22 | 4700280654 | | 1 | Washer | |
| 23 | 4700500029 | | 1 | Screw | |

B) Widht = 600mm

Transport device New version

18682

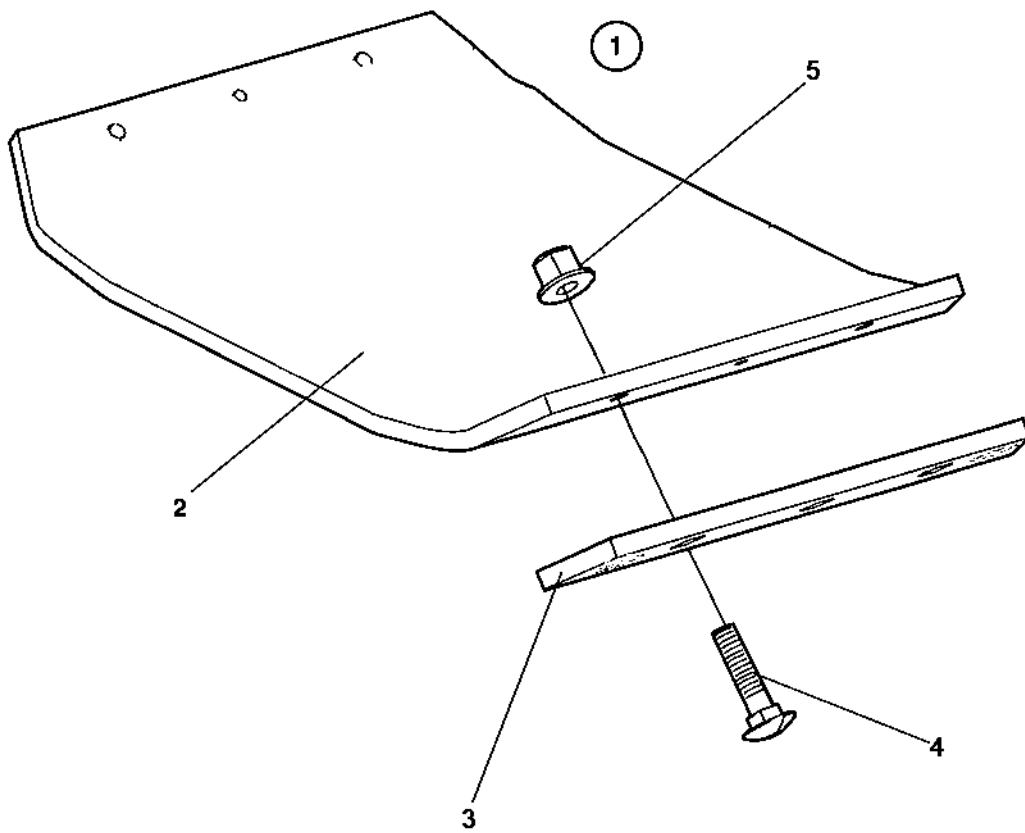


Transport device New version

| Item | Part No | Rem Qty | Description | Code |
|------|------------|---------|------------------|-----------------|
| 1 | 4700394933 | 1 | Transport device | |
| 2 | 4700280417 | 1 | Strap | B |
| 3 | 4700924543 | 1 | Washer | |
| 4 | 4700500051 | 1 | Screw | M12x25H 8.8 A3K |
| 5 | 4700791614 | 4 | Screw | |
| 6 | 4700394985 | 2 | Wheel bracket | |
| 7 | 4700271032 | 4 | Washer | |
| 8 | 4700383598 | 2 | Wheel | |
| 9 | 4700630015 | 2 | Split pin | |
| 10 | 4700904640 | 4 | Washer | 8,4x22x3 |
| 11 | 4700570005 | 4 | Nut | M8 |

Option, block paving kit 500 mm

18658

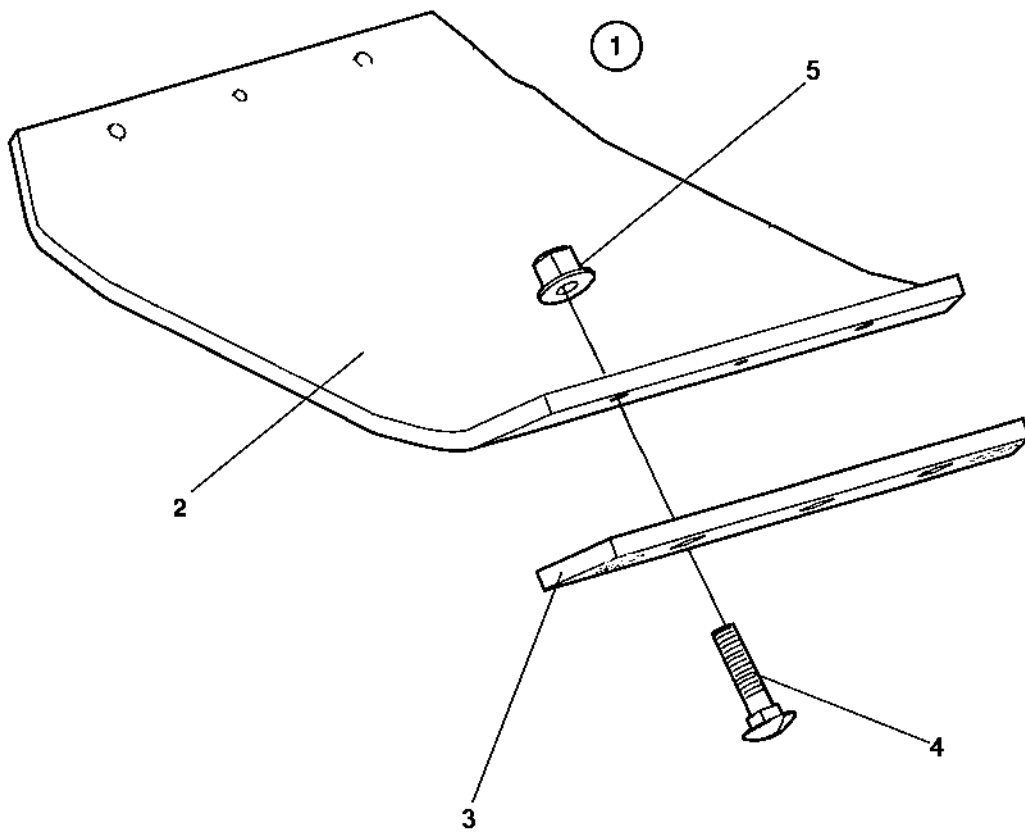


Option, block paving kit 500 mm

| Item | Part No | Rem Qty | Description | Code |
|-------------|----------------|----------------|-------------------------|-------------|
| 1 | | | Polyurethane plate, cpl | |
| 2 | 4700391211 | 1 | Polyurethane plate | |
| 3 | 4700381954 | 2 | Bracket | |
| 4 | 4700904341 | 4 | Carriage screw | |
| 5 | 4700902287 | 4 | Nut | |

Option, block paving kit 600 mm

18658



Option, block paving kit 600 mm

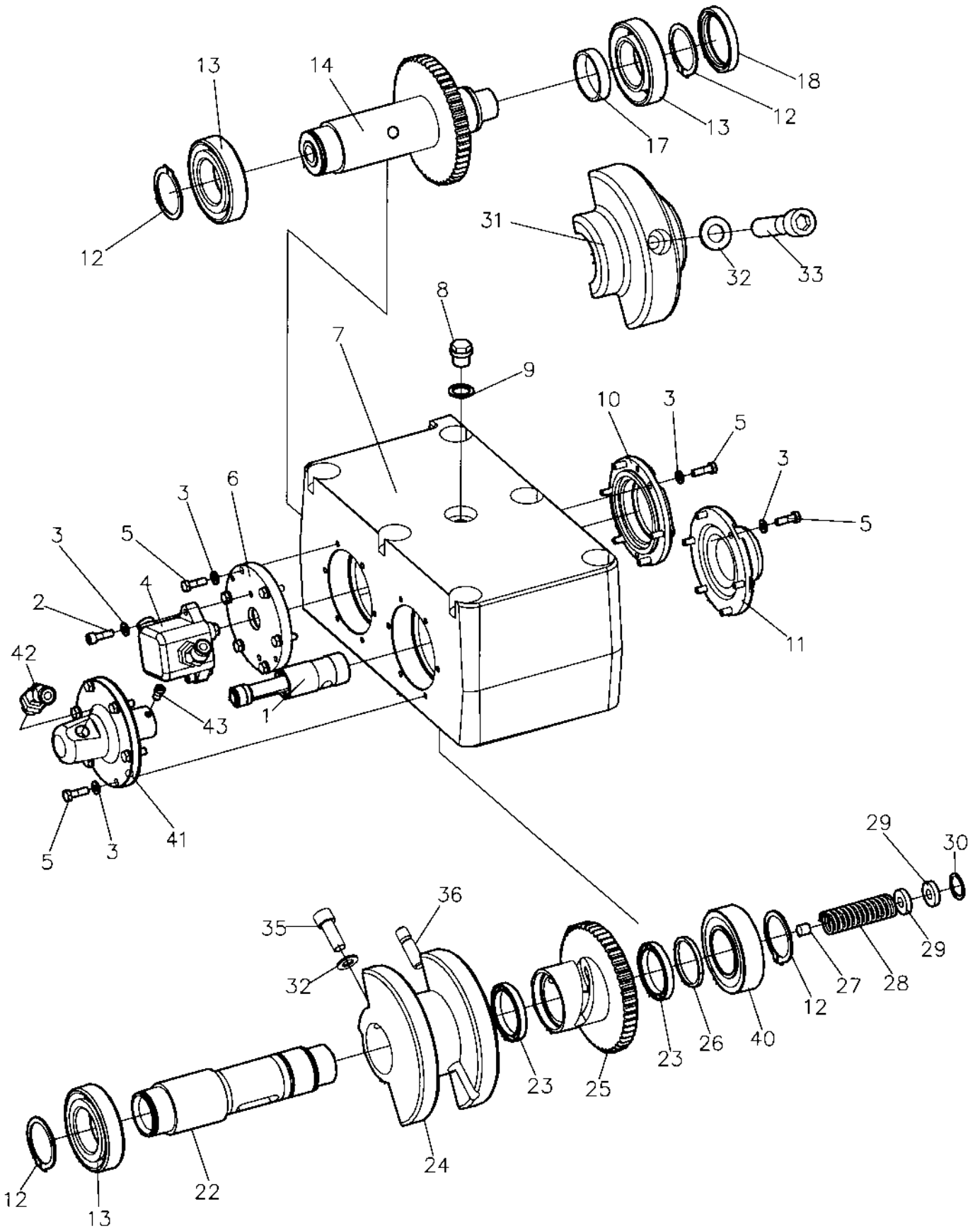
| Item | Part No | Rem Qty | Description | Code |
|-------------|----------------|----------------|-------------------------|-------------|
| 1 | | | Polyurethane plate, cpl | |
| 2 | 4700391212 | 1 | Polyurethane plate | |
| 3 | 4700381954 | 2 | Bracket | |
| 4 | 4700904341 | 4 | Carriage screw | |
| 5 | 4700902287 | 4 | Nut | |

Eccentric element

| Item | Part No | Rem Qty | Description | Code |
|-------------|----------------|----------------|-------------------------------|-------------|
| 10 | | 1 | Eccentric element (Page 20) | |
| 30 | | 1 | Piston, cpl (Page 22) | |

Eccentric element

18215-1

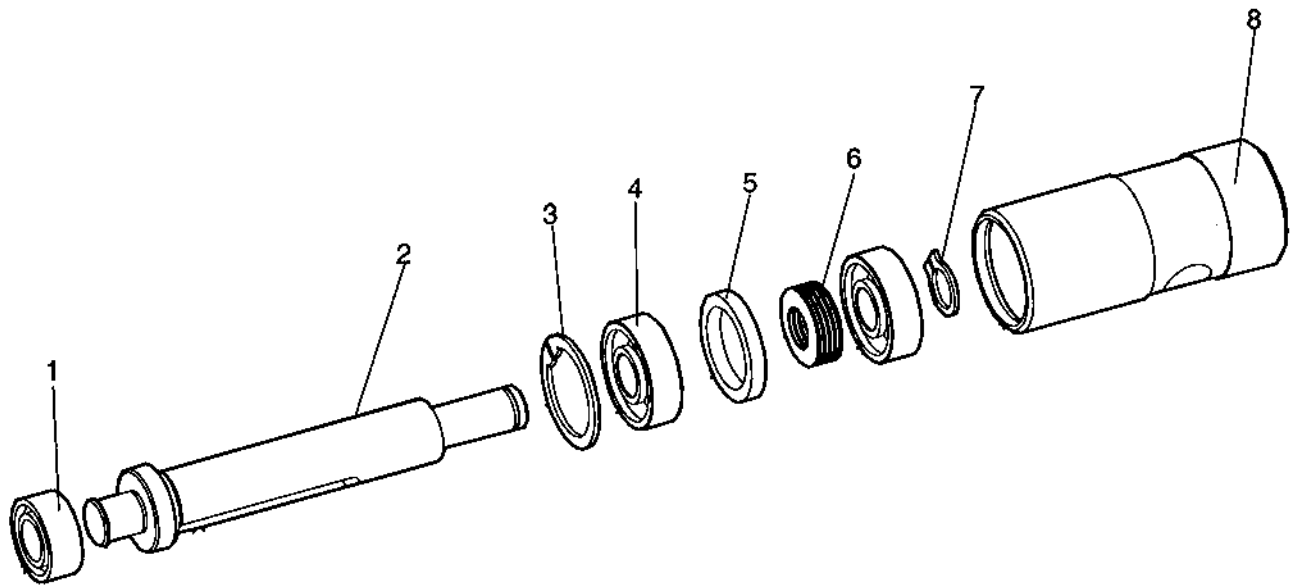


Eccentric element

| Item | Part No | Rem Qty | Description | Code |
|------|------------|---------|--|-------------|
| | | 1 | Eccentric element, cpl | |
| 1 | | 1 | .Piston, cpl (Page 22) | |
| 2 | 4700508025 | 2 | .Screw | M6x20 |
| 3 | 4700904228 | 18 | .Washer | 6,4x12x1,5 |
| 4 | | 1 | .Hydraulic pump installation (Page 54) | |
| 5 | 4700500040 | 16 | .Screw | M6-1x20 8,8 |
| 6 | 4700379168 | 1 | .Cover | |
| 7 | 4700379175 | 1 | .Eccentric housing | |
| 8 | 4700232143 | 1 | .Plug | |
| 9 | 4700162011 | 1 | .Washer, sealing | D |
| 10 | 4700379167 | 1 | .Cover | |
| 11 | 4700379165 | 1 | .Cover | |
| 12 | 4700150017 | 4 | .Retaining ring | D |
| 13 | 4700903363 | 3 | .Ball bearing | D |
| 14 | 4700395060 | 1 | .Shaft, cpl | |
| 17 | 4700280645 | 1 | .Spacer ring | |
| 18 | 4700928794 | 1 | .Sealing ring | D |
| 22 | 4700378777 | 1 | .Shaft | |
| 23 | 4700929287 | 2 | .Ball bearing | D |
| 24 | 4700280669 | 1 | .Eccentric | D |
| 25 | 4700395059 | 1 | .Reverser | |
| 26 | 4700379016 | 1 | .Ring | |
| 27 | 4700928241 | 1 | .Screw | |
| 28 | 4700280677 | 1 | .Spring | |
| 29 | 4700280648 | 2 | .Washer | |
| 30 | 4700151007 | 1 | .Retaining ring | |
| 31 | 4700286380 | 1 | .Weight | |
| 32 | 4700904638 | 2 | .Washer | 12x22x2 |
| 33 | 4700792724 | 1 | .Screw | |
| 35 | 4700792723 | 1 | .Screw | |
| 36 | 4700280644 | 1 | .Pin | |
| 40 | 4700792254 | 1 | .Spherical roller bearing | |
| 41 | 4700379166 | 1 | .Cylinder | |
| 42 | 4700791537 | 1 | .Straight connector | |
| 43 | 4700380155 | 1 | .Screw | |
| | | 1 | | |

Piston, cpl

18217

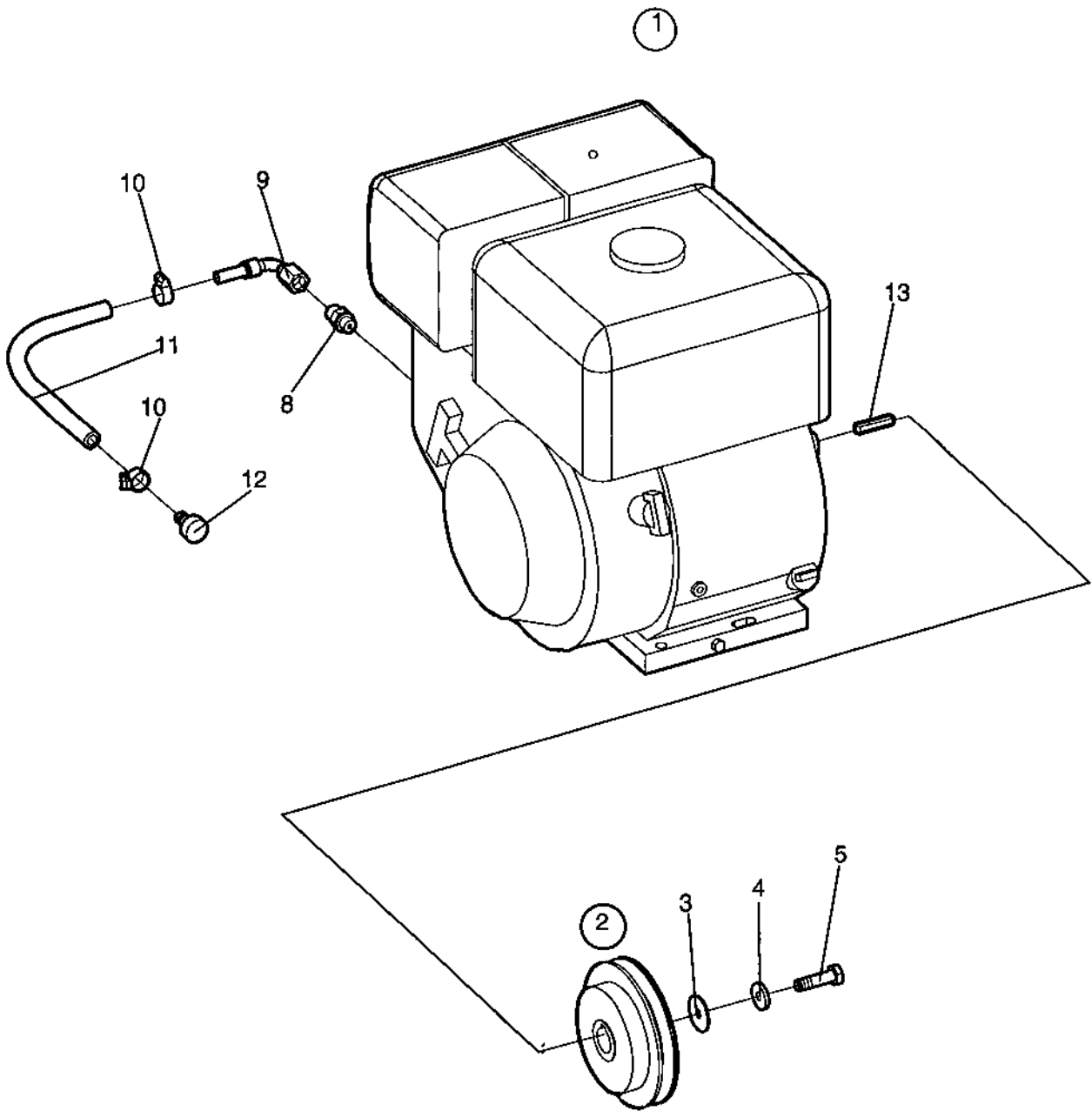


Piston, cpl

| Item | Part No | Rem Qty | Description | Code |
|-------------|----------------|----------------|--------------------|-------------|
| | | 1 | Piston, cpl | |
| 1 | 4700281276 | 1 | .Sealing ring | |
| 2 | 4700377359 | 1 | .Piston rod | |
| 3 | 4700151039 | 1 | .Retaining ring | |
| 4 | 4700929286 | 2 | .Ball bearing | D |
| 5 | 4700280647 | 1 | .Spacer ring | |
| 6 | 4700929291 | 10 | .Cup spring | |
| 7 | 4700150002 | 1 | .Retaining ring | |
| 8 | 4700280637 | 1 | .Piston | |

Engine and engine installation

| Item | Part No | Rem Qty | Description | Code |
|-------------|----------------|----------------|--|-------------|
| 10 | | 1 | Engine, cpl Honda (Page 26) | |
| 20 | | 1 | Engine installation, Honda (Page 28) | |
| 30 | | 1 | Engine (Page 30) | Honda GX270 |
| 40 | | 1 | Engine, cpl Hatz (Page 32) | |
| 50 | | 1 | Engine installation, Hatz Man. (Page 34) | |
| 55 | | 1 | Engine installation, Hatz.EL (Page 36) | |
| 60 | | 1 | Engine, Hatz 1B30 (Page 38) | |

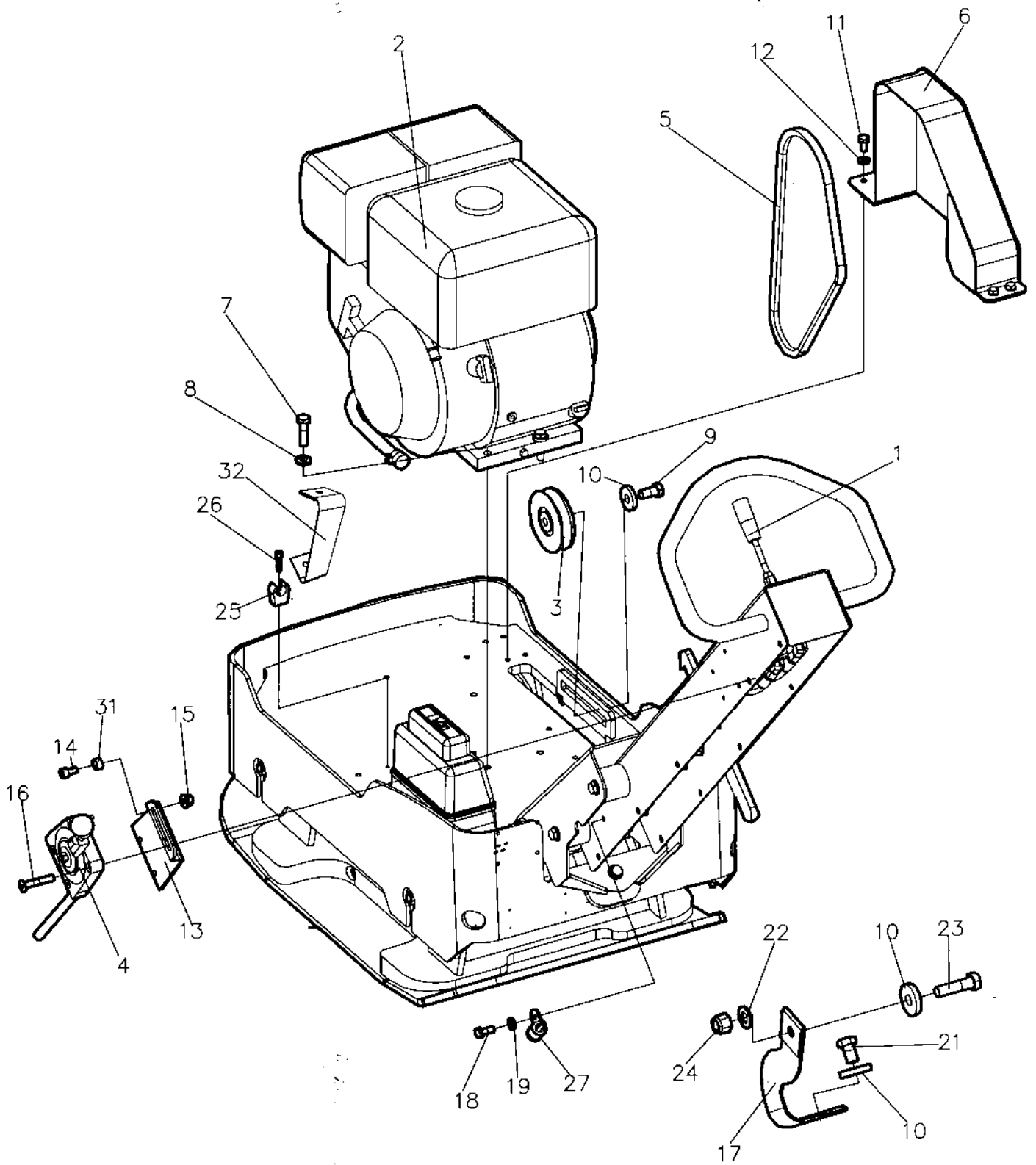


Engine, cpl Honda

| Item | Part No | Rem Qty | Description | Code |
|-------------|----------------|----------------|--------------------|----------------|
| 1 | | 1 | Engine (Page 30) | Honda GX270 |
| 2 | | 1 | Clutch (Page 44) | Honda |
| 3 | 4700615050 | 1 | Washer | |
| 4 | 4700904734 | 1 | Washer | 8,4x26x4 |
| 5 | 4700500022 | 1 | Screw | M8x30H 8.8 A2K |
| 8 | 4700903268 | 1 | Connector | |
| 9 | 4700792099 | 1 | Connector | |
| 10 | 4700313001 | 1 | Hose clamp | |
| 11 | D100901382 | 1XL | Hose | |
| 12 | D100504609 | 1 | Plug | |
| 13 | | 1 | Key | |

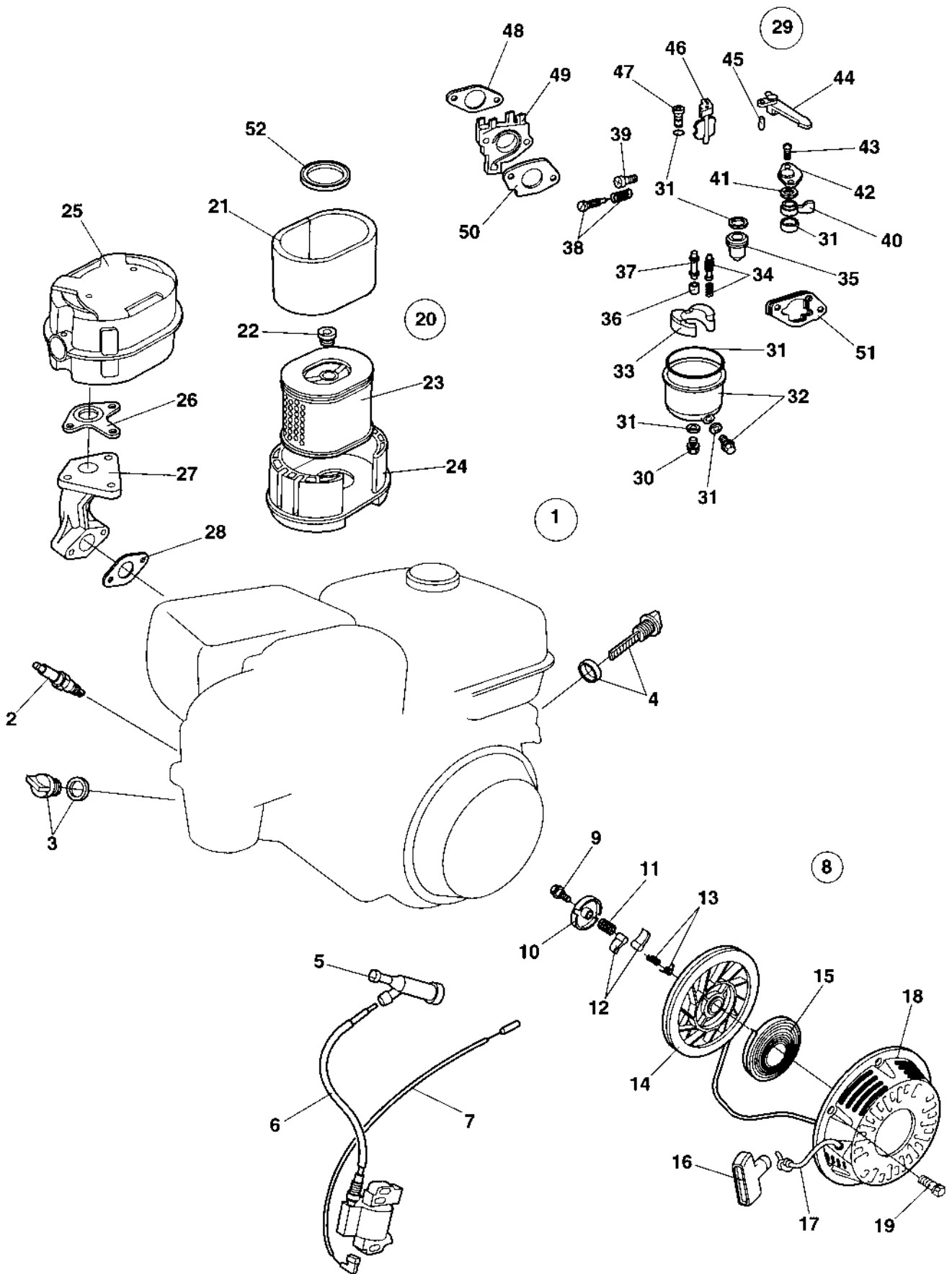
Engine installation, Honda

18211-2

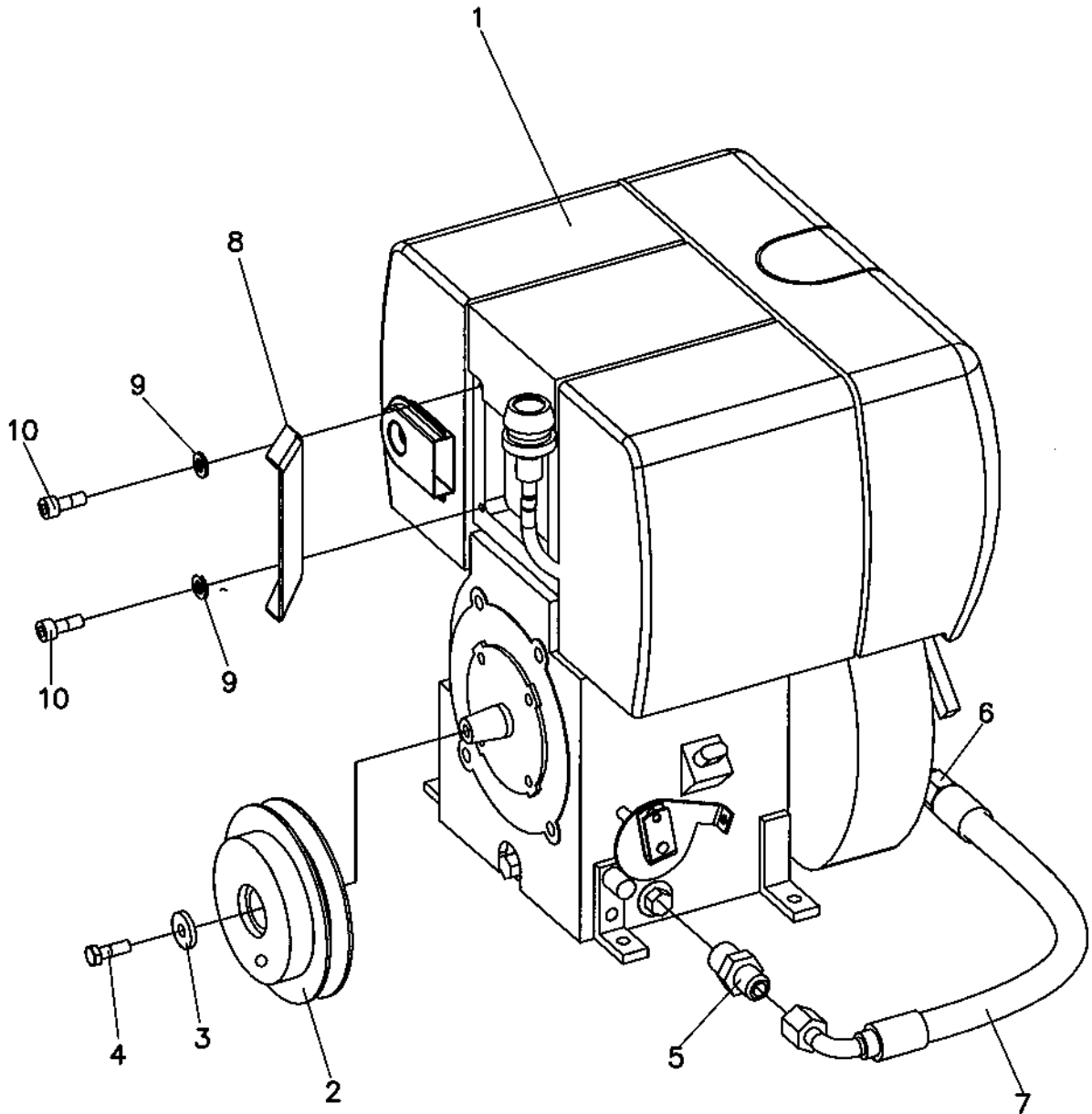


Engine installation, Honda

| Item | Part No | Rem Qty | Description | Code |
|------|------------|---------|---|----------------|
| 1 | | | Main assy, engine plate and lower part (Page 6) | |
| 2 | | | Engine, cpl Honda (Page 26) | |
| 3 | | | Belt tightener (Page 48) | |
| 4 | | | Throttle control, Honda (Page 62) | |
| 5 | 4700281336 | 1 | V-belt | B |
| 6 | D390875-02 | 1 | V-belt cover | |
| 7 | 4700500031 | 4 | Screw | |
| 8 | 4700904557 | 4 | Washer | |
| 9 | 4700500046 | 1 | Screw | |
| 10 | 4700924543 | 4 | Washer | |
| 11 | 4700500019 | 4 | Screw | M8x16H 8.8 A2K |
| 12 | 4700904229 | 4 | Washer | 8,4x16x1,5 |
| 13 | 4700284365 | 1 | Bracket | |
| 14 | 4700508025 | 1 | Screw | M6x20 |
| 15 | 4700902285 | 1 | Lock nut | M6 |
| 16 | 4700904747 | 4 | Screw | M5X30 |
| 17 | 4700283075 | 1 | Strap | |
| 18 | 4700500013 | 1 | Screw | M6-1x16 8,8 |
| 19 | 4700904228 | 1 | Washer | 6,4x12x1,5 |
| 21 | 4700500035 | 2 | Screw | M12x020H |
| 22 | 4700904231 | 2 | Washer | 13x24x2 300 HV |
| 23 | 4700500056 | 2 | Screw | |
| 24 | 4700586019 | 2 | Lock nut | |
| 25 | 4700281234 | 1 | Ryw-clips | |
| 26 | 4700508023 | 1 | Screw | |
| 27 | 4700791341 | 2 | Clamp | |
| 30 | 4700904213 | 1 | Washer | |
| 31 | 4700394417 | 1 | Spacer | |
| 32 | 4700395582 | 1 | Strap | |



| Item | Part No | Rem Qty | Description | Code |
|------|------------|---------|----------------------|-------------|
| 1 | 4700284115 | 1 | Engine, cpl | Honda GX270 |
| 2 | 4700937476 | 1 | .Spark plug | |
| 3 | 4700937516 | 1 | .Oil filling plug | |
| 4 | 4700937515 | 1 | .Oil dipstick | |
| 5 | 4700937513 | 1 | .Noise suppression | |
| 6 | 4700937512 | 1 | .Ignition coil | |
| 7 | 4700937514 | 1 | .Hose | |
| 8 | 4700937460 | 1 | .Recoil starter, cpl | |
| 9 | 4700937471 | 1 | ..Screw | |
| 10 | 4700937467 | 1 | ..Guide | |
| 11 | 4700937464 | 1 | ..Spring | |
| 12 | 4700937463 | 2 | ..Ratchet | |
| 13 | 4700937466 | 2 | ..Spring | |
| 14 | 4700937462 | 1 | ..Reel | |
| 15 | 4700937465 | 1 | ..Spring | |
| 16 | 4700937468 | 1 | ..Knob | |
| 17 | 4700937469 | 1 | ..Rope | |
| 18 | 4700937461 | 1 | .Cover | |
| 19 | 4700936538 | 3 | .Screw | |
| 20 | 4700937499 | 1 | .Air filter, cpl | |
| 21 | | 1 | ..Air filter | |
| 22 | 4700239772 | 1 | ..Grommet | |
| 23 | | 1 | ..Outer filter | |
| 24 | 4700937501 | 1 | .Holder | |
| 25 | 4700937502 | 1 | .Muffler | |
| 26 | 4700937609 | 1 | .Gasket | |
| 27 | 4700937503 | 1 | .Exhaust pipe | |
| 28 | 4700937610 | 1 | .Gasket | |
| 29 | 4700937472 | 1 | .Carburettor, cpl. | |
| 30 | 4700937479 | 1 | ..Screw | |
| 31 | 4700937473 | 1 | ..Gasket kit | |
| 32 | 4700937477 | 1 | ..Chamber | |
| 33 | 4700937475 | 1 | ..Float set | |
| 34 | 4700937474 | 1 | ..Valves | |
| 35 | 4700937493 | 1 | ..Cup | |
| 36 | 4700937496 | 1 | ..Stud | |
| 37 | 4700937482 | 1 | ..Nozzle | |
| 38 | 4700937478 | 1 | ..Screw, set | |
| 39 | 4700937481 | 1 | ..Screw | |
| 40 | 4700937489 | 1 | ..Lever | |
| 41 | 4700937491 | 1 | ..Spring | |
| 42 | 4700937490 | 1 | ..Bracket | |
| 43 | 4700937494 | 2 | ..Screw | |
| 44 | 4700937488 | 1 | ..Lever | |
| 45 | 4700937495 | 1 | ..Pin | |
| 46 | 4700937480 | 1 | ..Coil | |
| 47 | 4700937497 | 1 | ..Screw | |
| 48 | 4700937487 | 1 | .Gasket | |
| 49 | 4700937484 | 1 | .Insulator | |
| 50 | 4700937486 | 1 | .Gasket | |
| 51 | 4700937485 | 1 | .Spacer | |
| 52 | 4700937498 | 1 | .Gasket | |

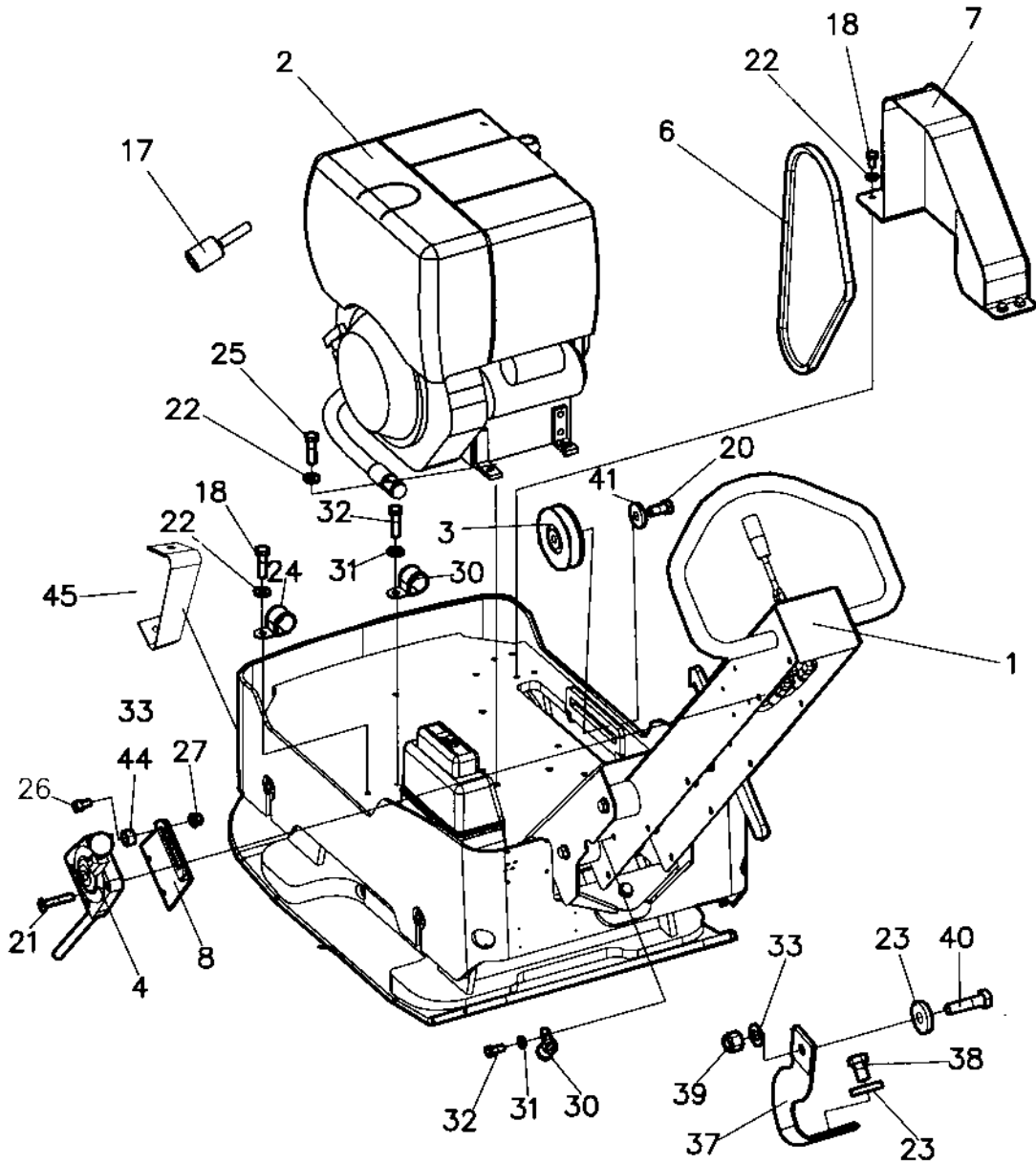


Engine, cpl Hatz

| Item | Part No | Rem Qty | Description | Code |
|-------------|----------------|----------------|--------------------|----------------|
| 1 | | 1 | Engine | |
| 2 | | 1 | Clutch | |
| 3 | 4700904734 | 1 | Washer | 8,4x26x4 |
| 4 | 4700500021 | 1 | Screw | M8-1,25x25 8.8 |
| 5 | 4700903925 | 1 | Connector | |
| 6 | 4700232095 | 1 | Plug | |
| 7 | 4700482539 | 1 | Hydraulic hose | |
| 8 | 4700390560 | 1 | Deflector | |
| 9 | 4700904228 | 2 | Washer | 6,4x12x1,5 |
| 10 | 4700508002 | 2 | Screw | |

Engine installation, Hatz Man.

18358-2

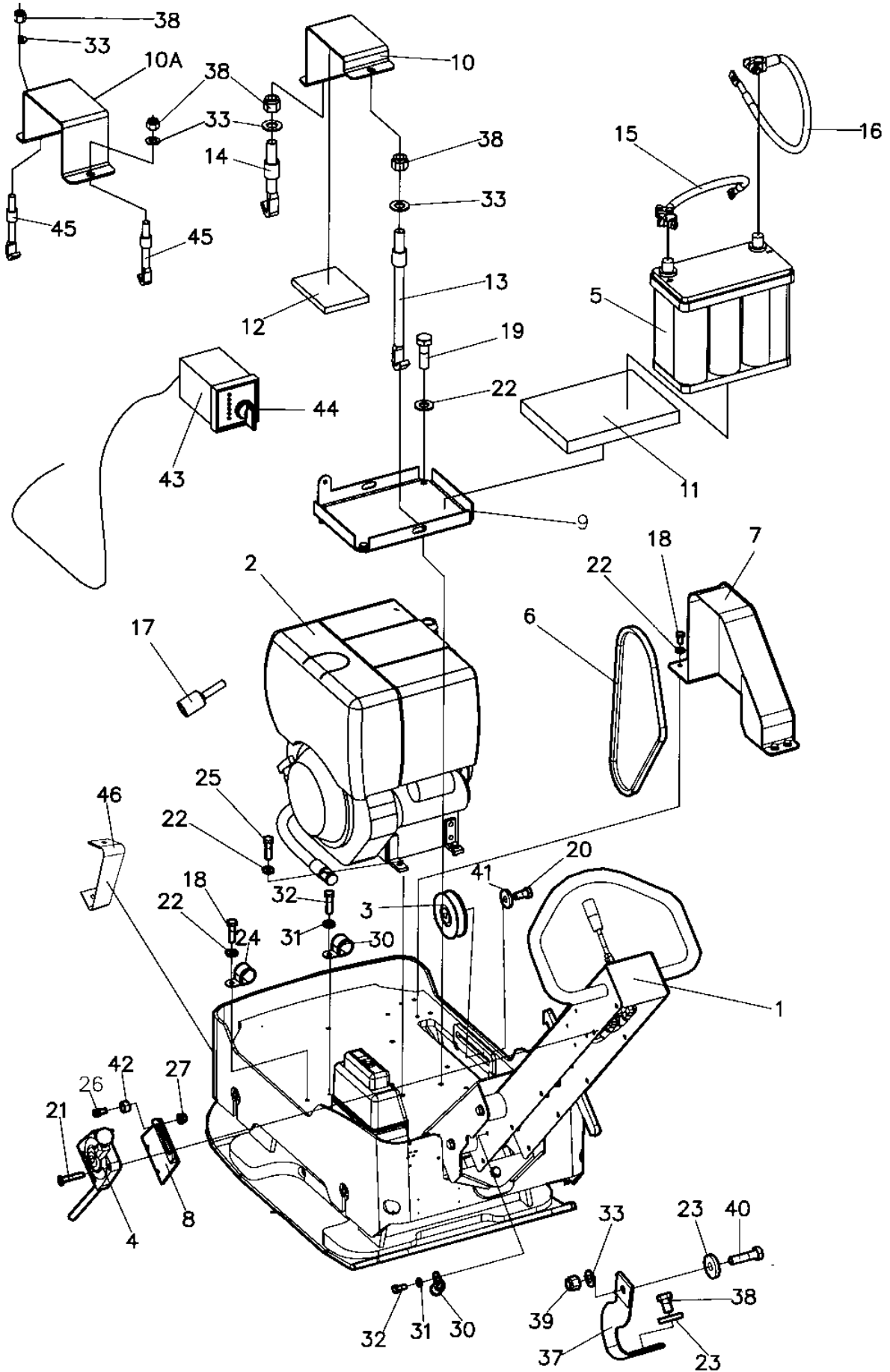


Engine installation, Hatz Man.

| Item | Part No | Rem Qty | Description | Code |
|------|------------|---------|---|----------------|
| 1 | | | Main assy, engine plate and lower part (Page 6) | |
| 2 | | | Engine | |
| 3 | | | Belt tightener (Page 48) | |
| 4 | | | Throttle control, Hatz (Page 64) | |
| 6 | 4700281258 | 1 | V-belt | B |
| 7 | D390876-02 | 1 | V-belt guard | |
| 8 | 4700284365 | | Bracket | |
| 16 | 4700791752 | 1 | Battery cable | - |
| 17 | 4700284107 | 1 | Nipple | |
| 18 | 4700500019 | 5 | Screw | M8x16H 8.8 A2K |
| 20 | 4700500046 | 1 | Screw | |
| 21 | 4700904687 | 4 | Screw | M5X25 |
| 22 | 4700904229 | 9 | Washer | 8,4x16x1,5 |
| 23 | 4700924543 | 4 | Washer | |
| 24 | 4700921044 | 1 | Clamp | |
| 25 | 4700500053 | 4 | Screw | M8x20H 8.8 |
| 26 | 4700508025 | 1 | Screw | M6x20 |
| 27 | 4700902285 | 1 | Lock nut | M6 |
| 30 | 4700791341 | 2 | Clamp | |
| 31 | 4700904228 | 2 | Washer | 6,4x12x1,5 |
| 32 | 4700500013 | 2 | Screw | M6-1x16 8,8 |
| 33 | 4700904231 | 6 | Washer | 13x24x2 300 HV |
| 34 | 4700500198 | 3 | Screw | |
| 37 | 4700283075 | 1 | Strap | |
| 38 | 4700500035 | 2 | Screw | M12x020H |
| 39 | 4700586019 | 4 | Lock nut | |
| 40 | 4700500056 | 2 | Screw | |
| 41 | 4700904213 | 1 | Washer | |
| 44 | 4700394417 | 1 | Spacer | |
| 45 | 4700395582 | 1 | Strap | |

Engine installation, Hatz.EL

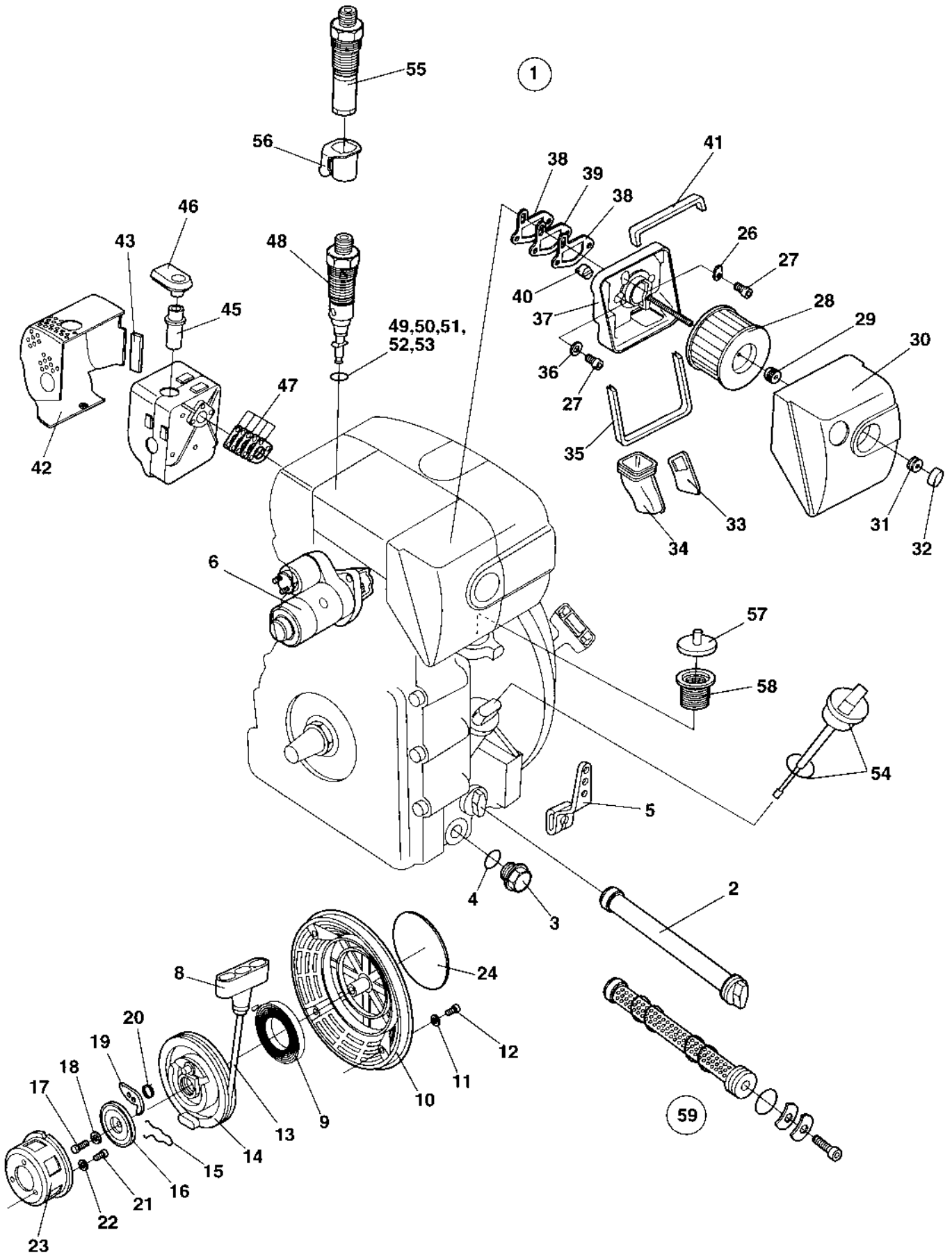
18303-3



Engine installation, Hatz.EL

| Item | Part No | Rem | Qty | Description | Code |
|------|------------|-----|-----|---|----------------|
| 1 | | | | Main assy, engine plate and lower part (Page 6) | |
| 2 | | | | Engine | |
| 3 | | | | Belt tightener (Page 48) | |
| 4 | | | | Throttle control, Hatz (Page 64) | |
| 5 | 4700378719 | | 1 | Battery | B |
| 6 | 4700281258 | | 1 | V-belt | B |
| 7 | D390876-02 | | 1 | V-belt guard | |
| 8 | 4700284365 | | | Bracket | |
| 9 | 4700379243 | | 1 | Plate | |
| 10 | 4700390641 | D | 1 | Holder | |
| | 4700393848 | E | 1 | Holder | |
| 11 | 4700379061 | | 1 | Insulation | |
| 12 | 4700379062 | | 1 | Insulation | |
| 13 | 4700390645 | D | 1 | Screw | |
| 14 | 4700390644 | D | 1 | Screw | |
| 15 | 4700792234 | | 1 | Battery cable | + |
| 16 | 4700791752 | | 1 | Battery cable | - |
| 17 | 4700284107 | | 1 | Nipple | |
| 18 | 4700500019 | | 5 | Screw | M8x16H 8.8 A2K |
| 19 | 4700500021 | | 4 | Screw | M8-1,25x25 8.8 |
| 20 | 4700500046 | | 1 | Screw | |
| 21 | 4700904747 | | 4 | Screw | M5X30 |
| 22 | 4700904229 | | 13 | Washer | 8,4x16x1,5 |
| 23 | 4700924543 | | 4 | Washer | |
| 24 | 4700921044 | | 1 | Clamp | |
| 25 | 4700500053 | | 4 | Screw | M8x20H 8.8 |
| 26 | 4700508025 | | 1 | Screw | M6x20 |
| 27 | 4700902285 | | 1 | Lock nut | M6 |
| 30 | 4700791341 | | 2 | Clamp | |
| 31 | 4700904228 | | 2 | Washer | 6,4x12x1,5 |
| 32 | 4700500013 | | 2 | Screw | M6-1x16 8,8 |
| 33 | 4700904231 | | 4 | Washer | 13x24x2 300 HV |
| 37 | 4700283075 | | 2 | Strap | |
| 38 | 4700500035 | | 2 | Screw | M12x020H |
| 39 | 4700586019 | | 4 | Lock nut | |
| 40 | 4700500056 | | 2 | Screw | |
| 41 | 4700904213 | | 1 | Washer | |
| 42 | 4700394417 | | 1 | Spacer | |
| 43 | 4700378071 | A | 1 | Control box | |
| | 4700378072 | B | 1 | Control box | |
| 44 | 4700938146 | C | 1 | .Ignition switch | |
| | 4700938086 | | 1 | ..Ignition key | |
| | 4700379028 | | 1 | Dirt shield | |
| 45 | 4700393849 | E | 2 | Battery screw | |
| 46 | 4700395582 | | 1 | Strap | |

- A) Standard version, without hour meter
- B) Option, equipped with hour meter
- C) Complete with keys
- D) Old version
- E) New version

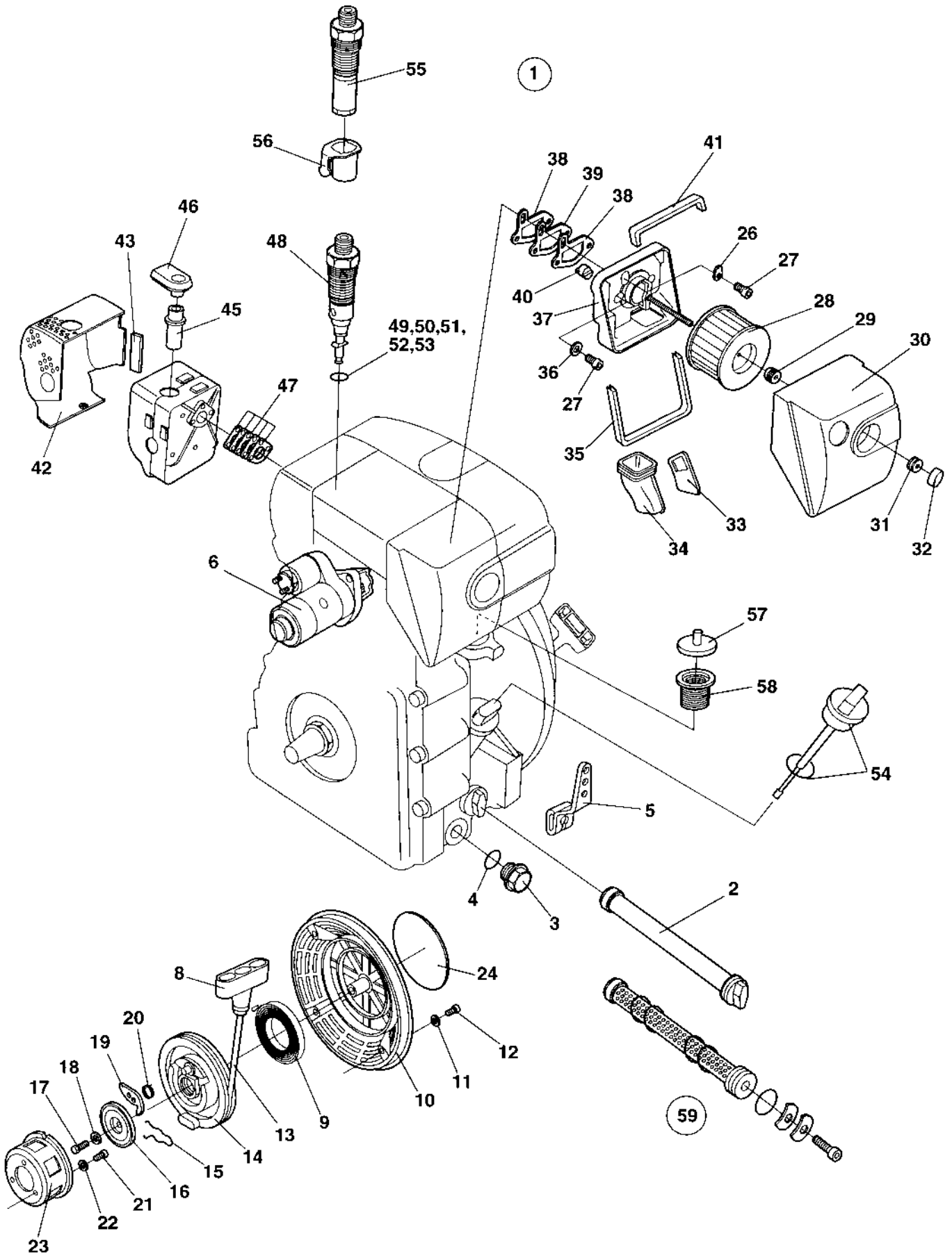


Engine, Hatz 1B30

| Item | Part No | Rem | Qty | Description | Code |
|------|------------|-----|-----|-------------------------|--------|
| 1 | 4700377894 | | 1 | Diesel engine, manual | |
| | 4700377893 | | 1 | Diesel engine, electric | |
| | 4700383293 | D | 1 | .Summer | |
| | 4700939588 | D | 1 | .Instrument box, cpl | |
| | 4700938146 | D | 1 | ..Ignition switch | |
| | 4700938086 | D | 1 | ..Ignition key | |
| 2 | | C | | Not used on this model | |
| 3 | 4700937002 | | 1 | .Plug | D |
| 4 | 4700937003 | | 1 | .O-ring | B |
| 5 | 4700936975 | | 1 | .Speed control | |
| 6 | 4700938935 | | 1 | .Starter | |
| 7 | 4700936982 | | 1 | .Recoil starter, cpl | D |
| 8 | 4700936983 | | 1 | ..Knob | B |
| 9 | 4700936985 | | 1 | ..Spiral spring | B |
| 10 | 4700936986 | | 1 | ..Housing | |
| 11 | 4700936987 | | 4 | ..Washer | |
| 12 | 4700936988 | | 4 | ..Screw | |
| 13 | 4700936989 | | 1 | ..Rope | B |
| 14 | 4700936990 | | 1 | ..Reel | |
| 15 | 4700936991 | | 1 | ..Spring | B |
| 16 | 4700936992 | | 1 | ..Friction plate | |
| 17 | 4700936993 | | 1 | ..Screw | |
| 18 | 4700936994 | | 1 | ..Washer | |
| 19 | 4700936995 | | 1 | ..Ratchet | |
| 20 | 4700936996 | | 1 | ..O-ring | |
| 21 | 4700936997 | | 3 | ..Screw | |
| 22 | 4700936998 | | 3 | ..Washer | |
| 23 | 4700936999 | | 1 | ..Starter pulley | |
| 24 | 4700937000 | | 1 | ..Decal | |
| 26 | 4700937011 | | 1 | .Washer | |
| 27 | 4700937012 | | 3 | .Screw | |
| 28 | 4700937013 | | 1 | .Filter element | A |
| 29 | 4700937014 | | 1 | .Nut | |
| 30 | 4700937348 | | 1 | .Protecting cover | |
| 31 | 4700937016 | | 1 | .Rubber sleeve | |
| 32 | 4700937017 | | 1 | .Nut | |
| 33 | 4700937018 | | 1 | .Plate | |
| 34 | 4700937350 | | 1 | .Rubber tube | |
| 35 | 4700937020 | | 1 | .Edge trim | |
| 36 | 4700239517 | | 2 | .Washer | |
| 37 | | | 1 | .Not Sold Separately | |
| 38 | 4700937022 | | 2 | .Gasket | |
| 39 | 4700937023 | | 1 | .Gasket | |
| 40 | 4700937024 | | 1 | .Vent nipple | |
| 41 | 4700937347 | | 1 | .Edge trim | |
| 42 | 4700939220 | | 1 | .Protecting cover | |
| 43 | | | | Not used on this model | |
| 44 | 4700939638 | | 1 | .Muffler | |
| 45 | | | | Not used on this model | |
| 46 | 4700937004 | | 1 | .Exhaust pipe | |
| 47 | 4700937354 | | 5 | .Gasket | |
| 48 | 4700937346 | | 1 | .Injection pump | |
| 49 | 4700936977 | | 1 | ..O-ring | 0,2 mm |
| 50 | 4700936978 | | 1 | ..O-ring | 0,3 mm |
| 51 | 4700936979 | | 1 | ..O-ring | 0,4 mm |
| 52 | 4700936980 | | 1 | ..O-ring | 0,5 mm |
| 53 | 4700936981 | | 1 | ..O-ring | 0,6 mm |
| 54 | 4700937608 | | 1 | .Oil dipstick | |

C) Old version, replaced by item 59

D) For electrical version



Engine, Hatz 1B30

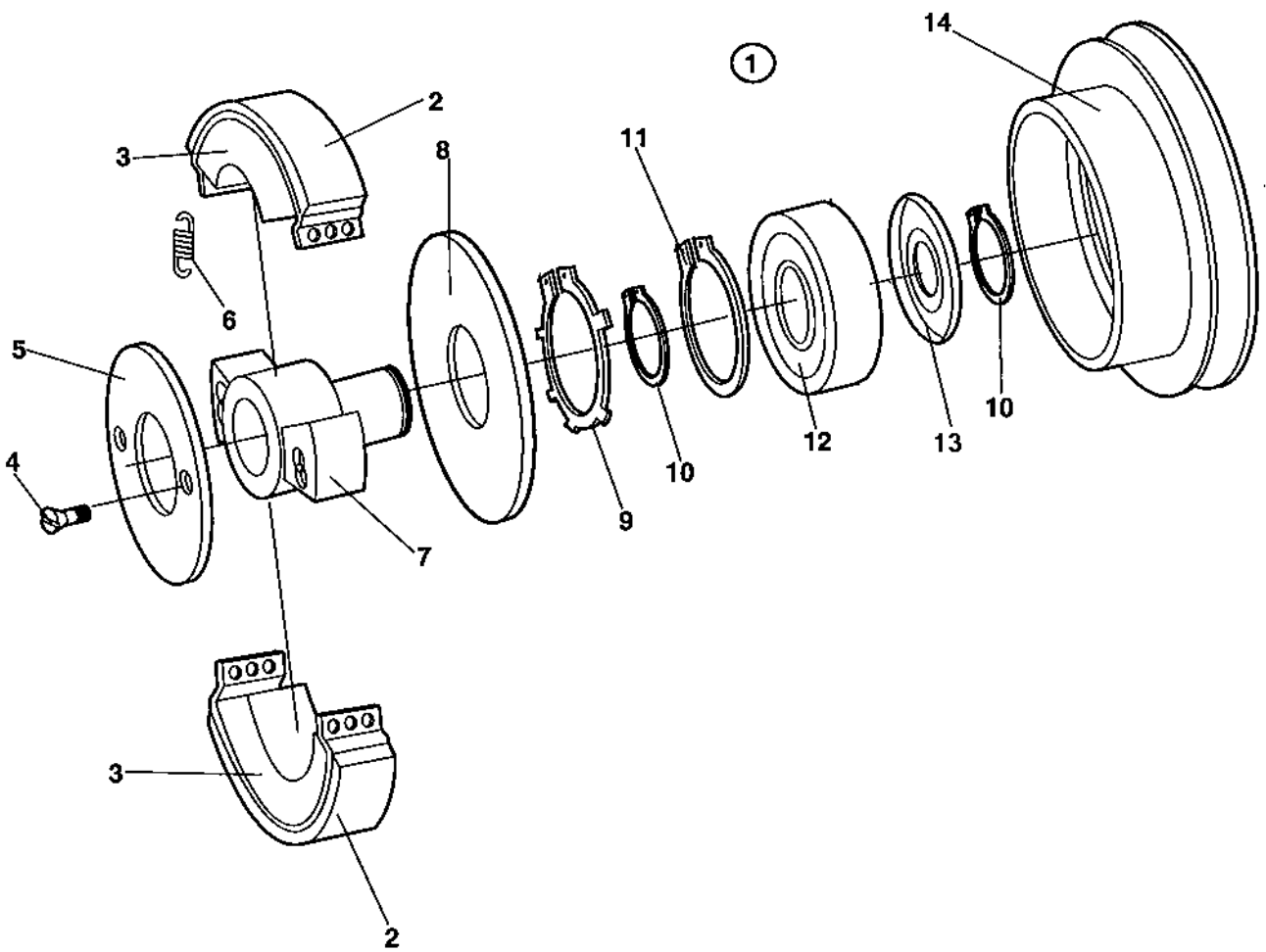
| Item | Part No | Rem Qty | Description | Code |
|-------------|----------------|----------------|--------------------|-------------|
| 55 | 4700939519 | 1 | .Nozzle | |
| 56 | 4700937606 | 1 | .Sleeve | |
| 57 | 4700937604 | 1 | .Lock | |
| 58 | 4700937605 | 1 | .Socket | |
| 59 | 4700937001 | 1 | .Oil strainer, cpl | |

Power transmission

| Item | Part No | Rem Qty | Description | Code |
|-------------|----------------|----------------|----------------------------|-------------|
| 20 | | 1 | Clutch (Page 44) | Honda |
| 25 | | 1 | Clutch (Page 46) | Hatz |
| 30 | | 1 | Belt tightener (Page 48) | |

Clutch Honda

18254

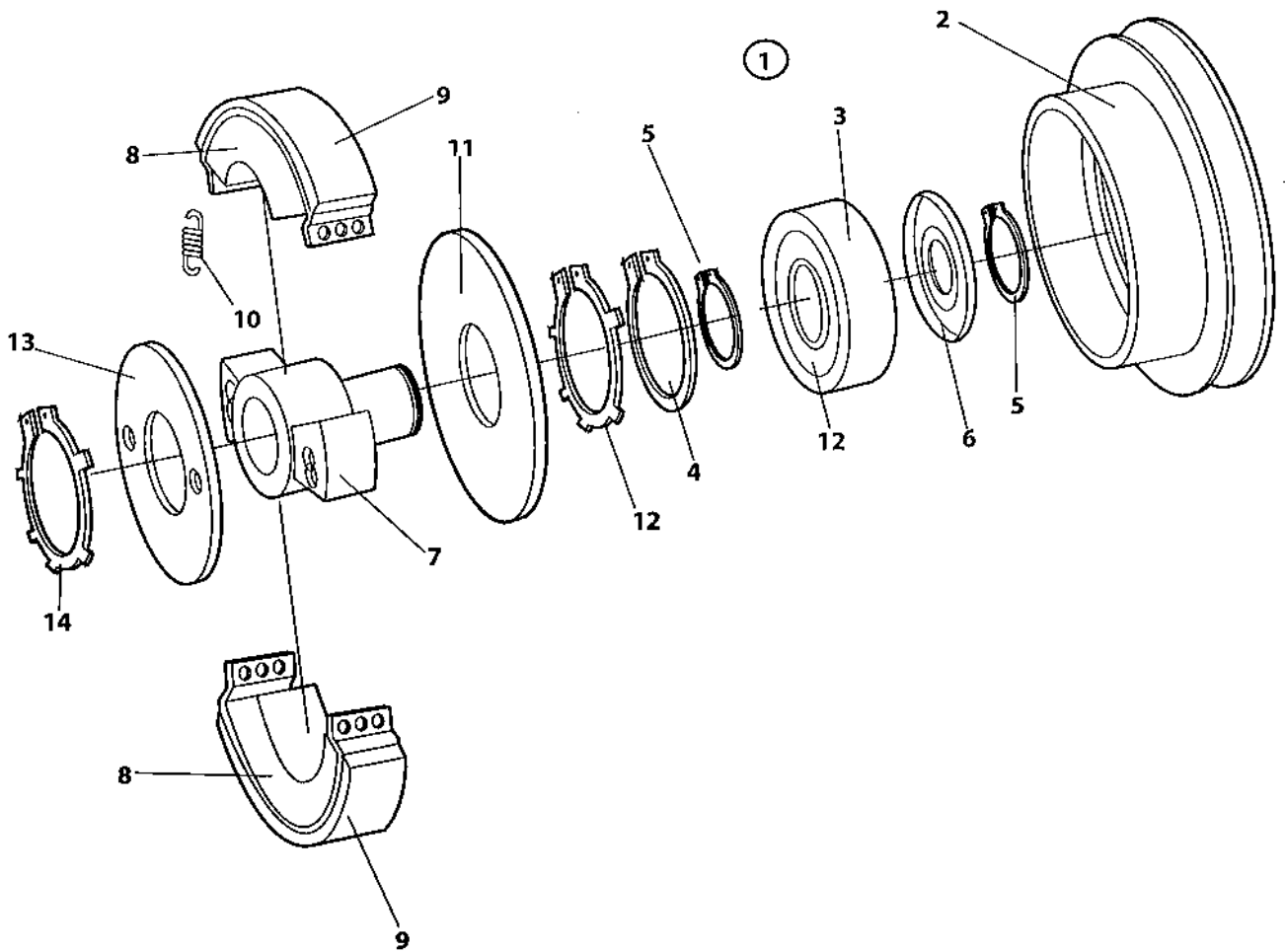


Clutch Honda

| Item | Part No | Rem Qty | Description | Code |
|-------------|----------------|----------------|--------------------|-------------|
| 1 | 4700377988 | 1 | Clutch, cpl | |
| 2 | 4700945260 | 2 | .Clutch lining | |
| 3 | D100901032 | 2 | .Clutch weight | |
| 4 | 4700535002 | 2 | .Screw | |
| 5 | D100901024 | 1 | .Cover | |
| 6 | 4700937527 | 4 | .Spring | |
| 7 | 4700945111 | 1 | .Hub | |
| 8 | 4700239857 | 1 | .Cover | |
| 9 | 4700239539 | 1 | .Retaining ring | |
| 10 | 4700938726 | 2 | .Snap ring | |
| 11 | 4700938725 | 1 | .Retaining ring | |
| 12 | 4700938724 | 1 | .Ball bearing | D |
| 13 | 4700134036 | 1 | .Nilos ring | |
| 14 | 4700945110 | 1 | .V-belt pulley | |

Clutch Hatz

18316

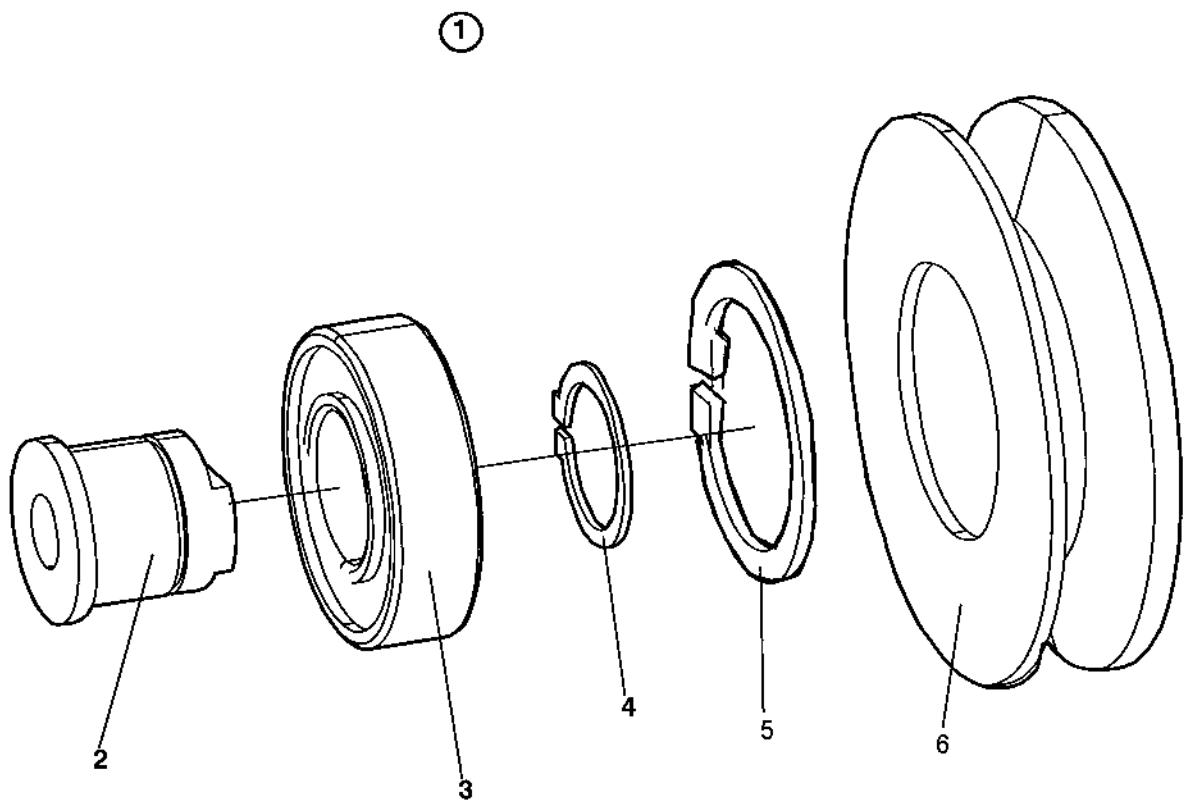


Clutch Hatz

| Item | Part No | Rem Qty | Description | Code |
|-------------|----------------|----------------|--------------------|-------------|
| 1 | 4700378033 | 1 | Clutch, cpl | |
| 2 | 4700937029 | 1 | .V-belt pulley | |
| 3 | 4700938724 | 1 | .Ball bearing | D |
| 4 | 4700938725 | 1 | .Retaining ring | |
| 5 | 4700938726 | 2 | .Snap ring | |
| 6 | 4700134036 | 1 | .Nilos ring | |
| 7 | 4700937031 | 1 | .Hub | |
| 8 | D100901032 | 2 | .Clutch weight | |
| 9 | 4700945612 | 2 | .Clutch lining | |
| 10 | 4700937527 | 4 | .Spring | |
| 11 | 4700239857 | 1 | .Cover | |
| 12 | 4700239539 | 1 | .Retaining ring | |
| 13 | 4700239768 | 1 | .Cover | |
| 14 | 4700239734 | 1 | .Retaining ring | |

Belt tightener

18212



Belt tightener

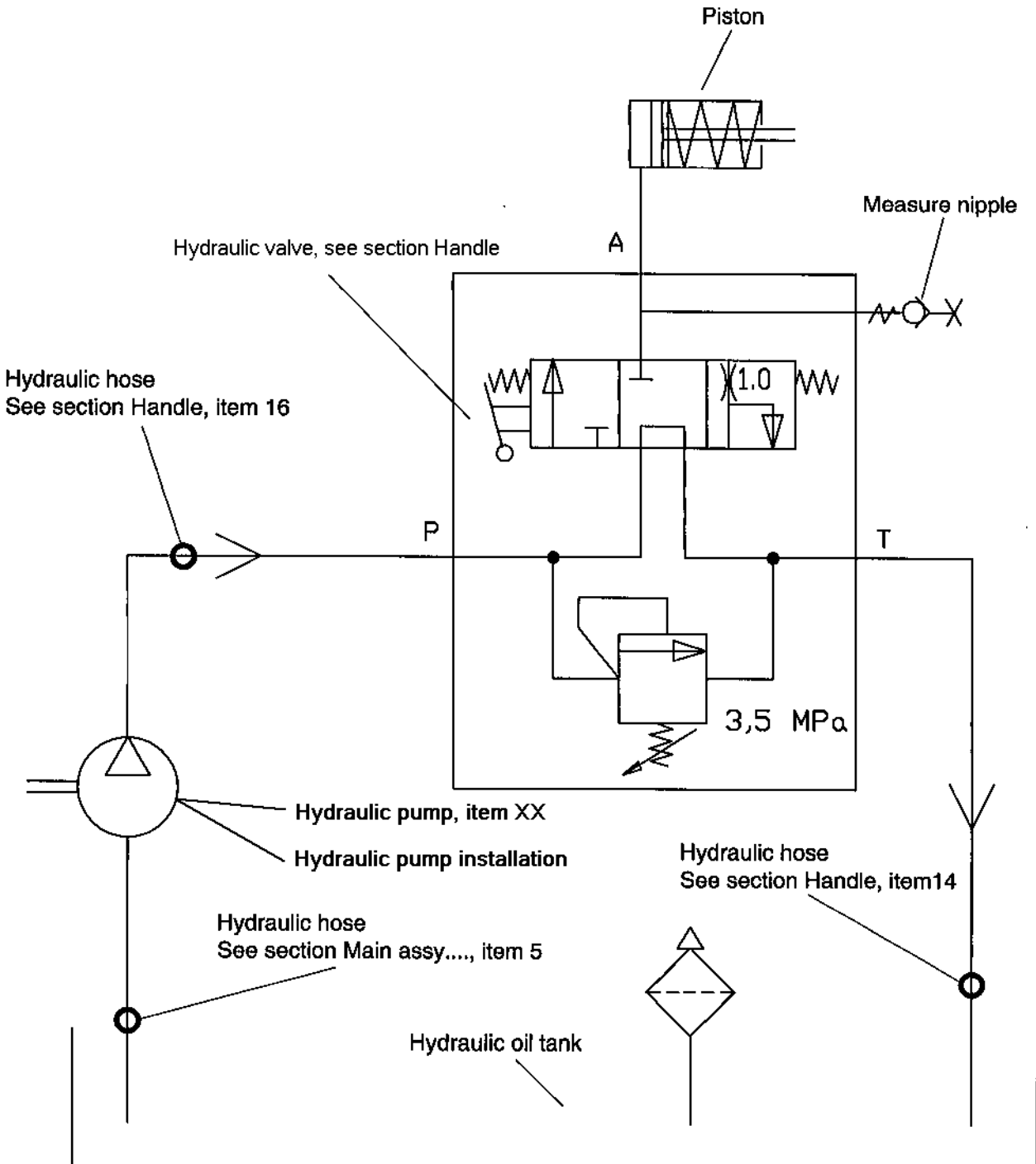
| Item | Part No | Rem Qty | Description | Code |
|-------------|----------------|----------------|--------------------|-------------|
| 1 | 4700280835 | 1 | Idler, cpl | D |
| 2 | 4700280837 | 1 | .Shaft | |
| 3 | 4700111114 | 1 | .Ball bearing | |
| 4 | 4700150009 | 1 | .Snap ring | |
| 5 | 4700151017 | 1 | .Snap ring | |
| 6 | 4700280836 | 1 | .V-belt pulley | D |

Hydraulic system

| Item | Part No | Rem Qty | Description | Code |
|-------------|----------------|----------------|---|-------------|
| 10 | | | Hydraulic diagram (Page 52) | |
| 20 | | | Hydraulic pump installation (Page 54) | |
| 30 | | | Hydraulic tank (Page 56) | |

Hydraulic diagram

18219

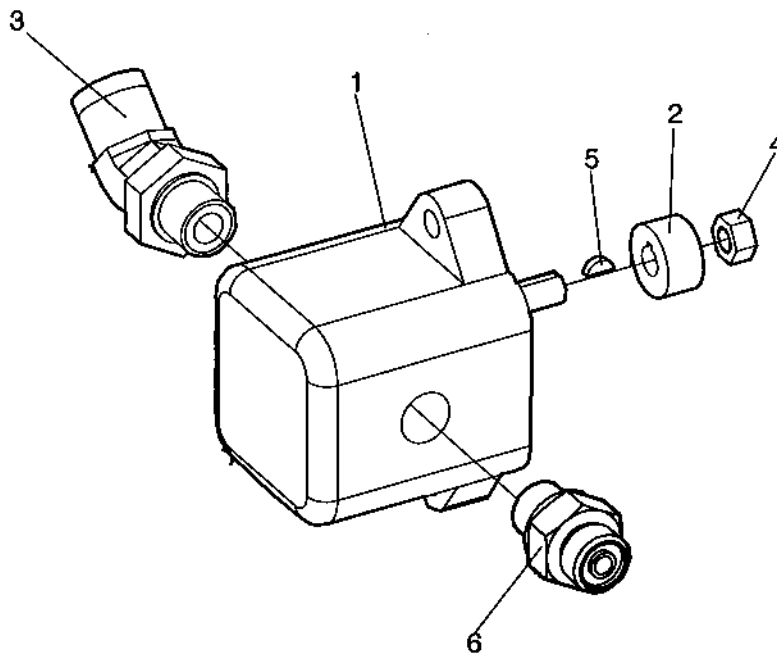


Hydraulic diagram

| Item | Part No | Rem Qty | Description | Code |
|-------------|----------------|----------------|---|-------------|
| 1 | | | Piston, cpl (Page 22) | |
| 2 | | | Measure nipple | |
| 3 | | | Handle (Page 60) | |
| 4 | | | Handle (Page 60) | |
| 5 | | | Handle (Page 60) | |
| 6 | | | Hydraulic pump installation (Page 54) | |
| 7 | | | Eccentric element (Page 20) | |
| 8 | | | Handle (Page 60) | |
| 9 | | | Hydraulic tank (Page 56) | |

Hydraulic pump installation

18222

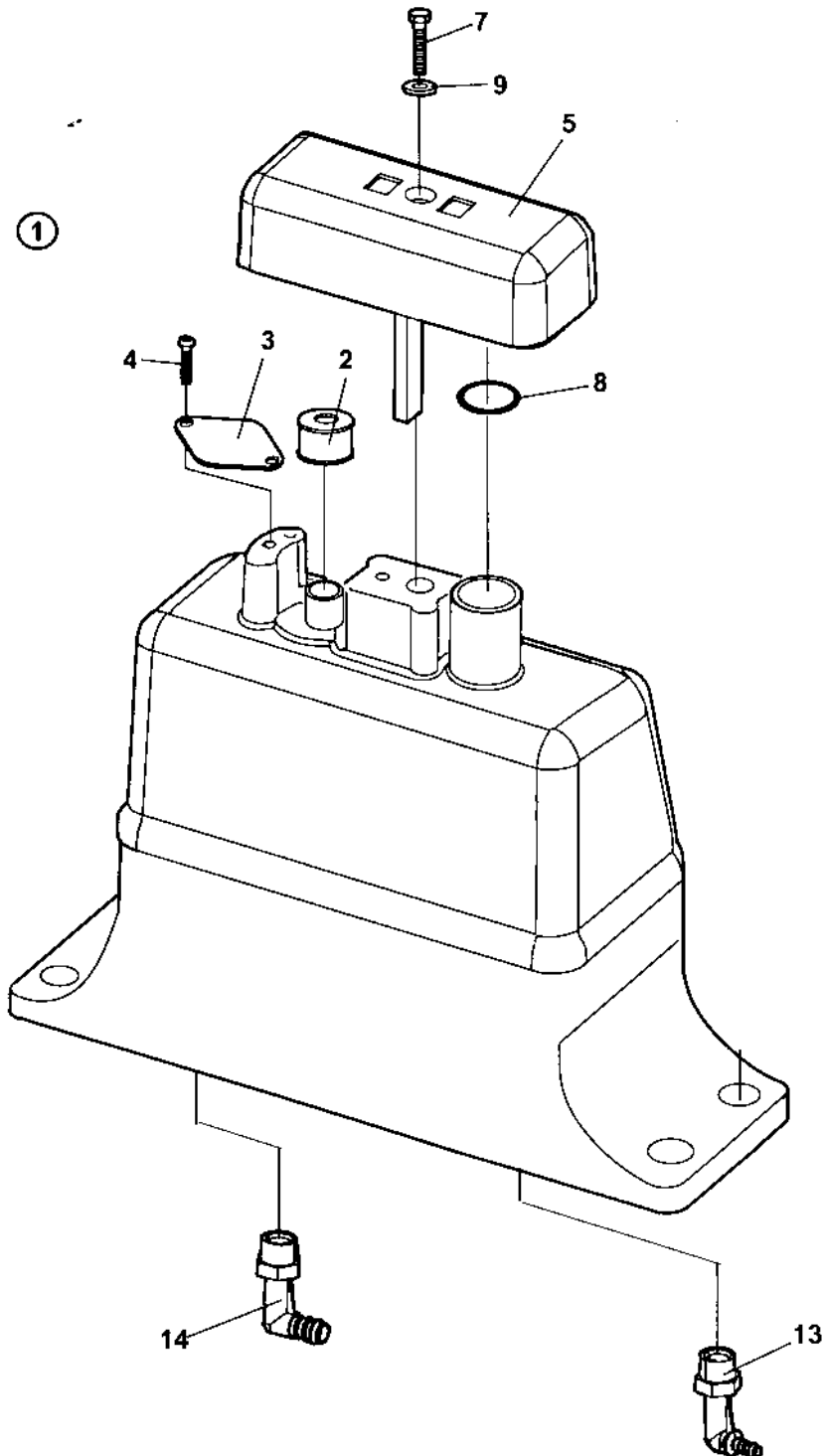


Hydraulic pump installation

| Item | Part No | Rem Qty | Description | Code |
|-------------|----------------|----------------|--------------------|-------------|
| 1 | 4700383562 | 1 | Hydraulic pump | |
| 2 | 4700928894 | 1 | Sleeve | |
| 3 | 4700792253 | 1 | Elbow | |
| 4 | | 1 | Nut | |
| 5 | | 1 | Key | |
| 6 | 4700791537 | 1 | Straight connector | |

Hydraulic tank

18635



Hydraulic tank

| Item | Part No | Rem | Qty | Description | Code |
|------|------------|-----|-----|-------------------------|----------------|
| 1 | 4700376676 | A | 1 | Hydraulic oil tank, cpl | |
| 2 | 4700381566 | | 1 | .Air filter | |
| 3 | 4700381563 | | 1 | .Holder | |
| 4 | 4700904960 | | 2 | .Screw | |
| 5 | 4700381385 | | 1 | .Cover | |
| 7 | 4700500021 | | 1 | .Screw | M8-1,25x25 8.8 |
| 8 | 4700160110 | | 1 | .O-ring | |
| 9 | 4700904229 | | 1 | .Washer | 8,4x16x1,5 |
| | | A | 1 | | |
| | | A | 1 | | |
| | | | 1 | | |

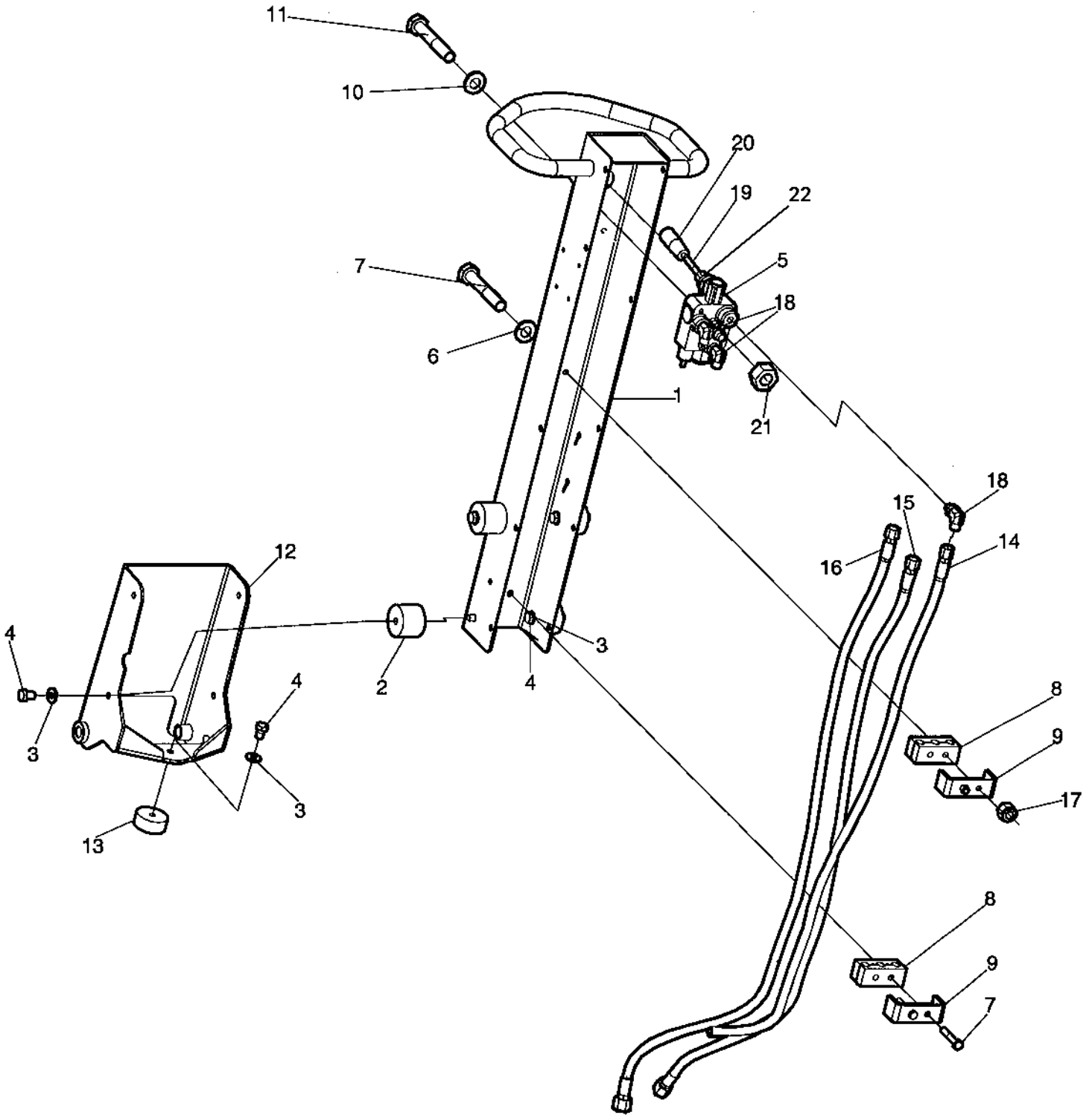
A) Connection parts, see section Main assy, engine plate and lower part

Handle and throttle control

| Item | Part No | Rem Qty | Description | Code |
|-------------|----------------|----------------|-------------------------------------|-------------|
| 10 | | | Handle (Page 60) | |
| 20 | | | Throttle control, Honda (Page 62) | |
| 230 | | | Throttle control, Hatz (Page 64) | |

Handle

18210

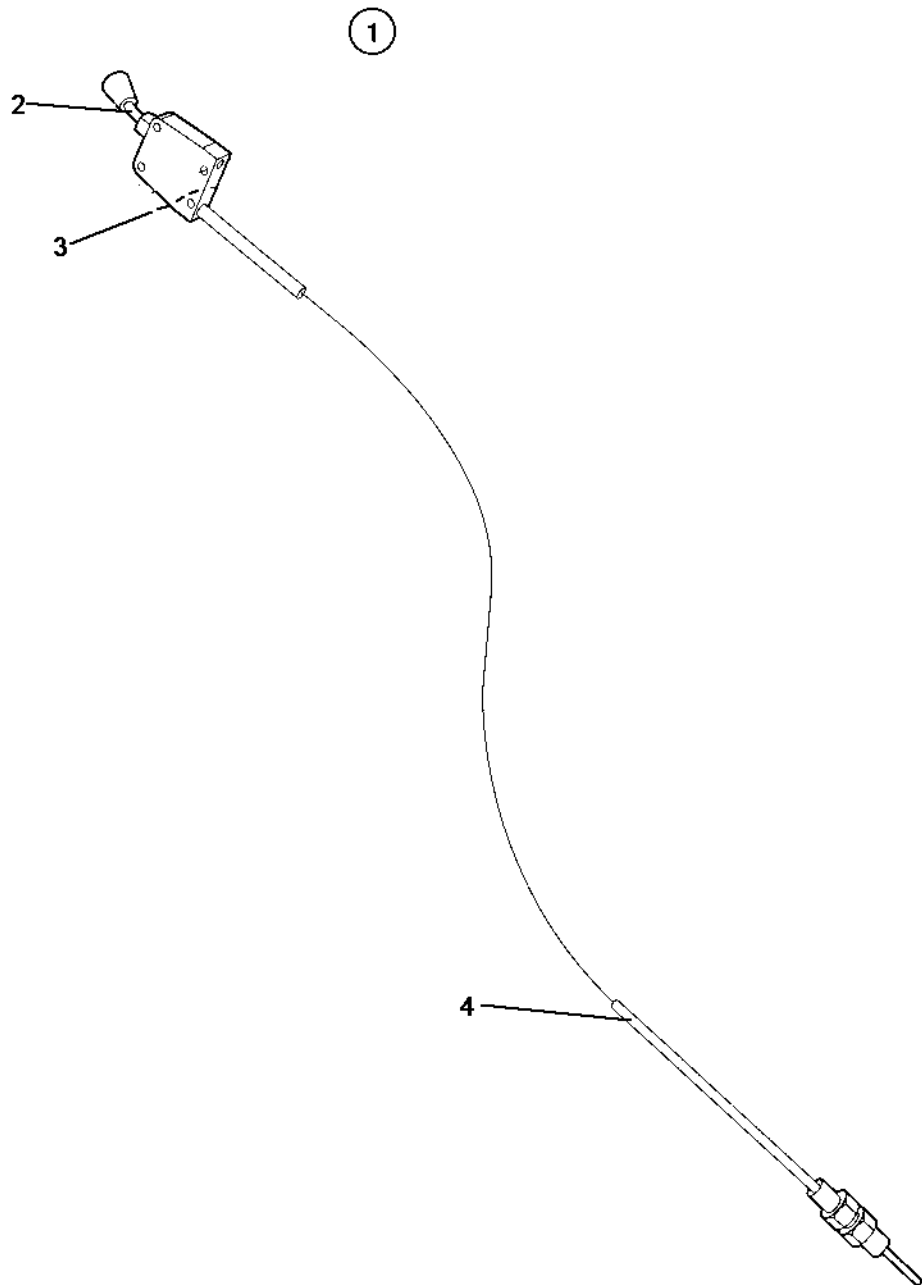


Handle

| Item | Part No | Rem Qty | Description | Code |
|-------------|----------------|----------------|--------------------|----------------|
| 1 | D378440-02 | 1 | Handle | |
| 2 | D100900827 | 4 | Shock absorber | |
| 3 | 4700904230 | 9 | Washer | |
| 4 | 4700500043 | 9 | Screw | M10x16H 8,8 |
| 5 | 4700282993 | 1 | Valve | |
| | 4700937924 | 1 | Lever housing | |
| 6 | 4700904229 | 1 | Washer | 8,4x16x1,5 |
| 7 | 4700500025 | 4 | Screw | M8-1,25x50 8,8 |
| 8 | 4700280534 | 2 | Rubber block | |
| 9 | D100505023 | 2 | Bracket | |
| 10 | 4700904228 | 2 | Washer | 6,4x12x1,5 |
| 11 | 4700500016 | 2 | Screw | M6x55 8.8 A2K |
| 12 | D378031-02 | 1 | Bracket | |
| 13 | 4700791373 | 1 | Shock absorber | |
| 14 | 4700379659 | 1 | Hydraulic hose | |
| 15 | 4700483899 | 1 | Hydraulic hose | |
| 16 | 4700483900 | 1 | Hydraulic hose | |
| 17 | 4700586003 | 2 | Lock nut | M8 |
| 18 | 4700791397 | 3 | Elbow 90, O-ring | |
| 19 | 4700390450 | 1 | Rod | |
| 20 | 4700903821 | 1 | Grab handle | |
| 21 | 4700902285 | 1 | Lock nut | M6 |
| 22 | 4700570005 | 1 | Nut | M8 |

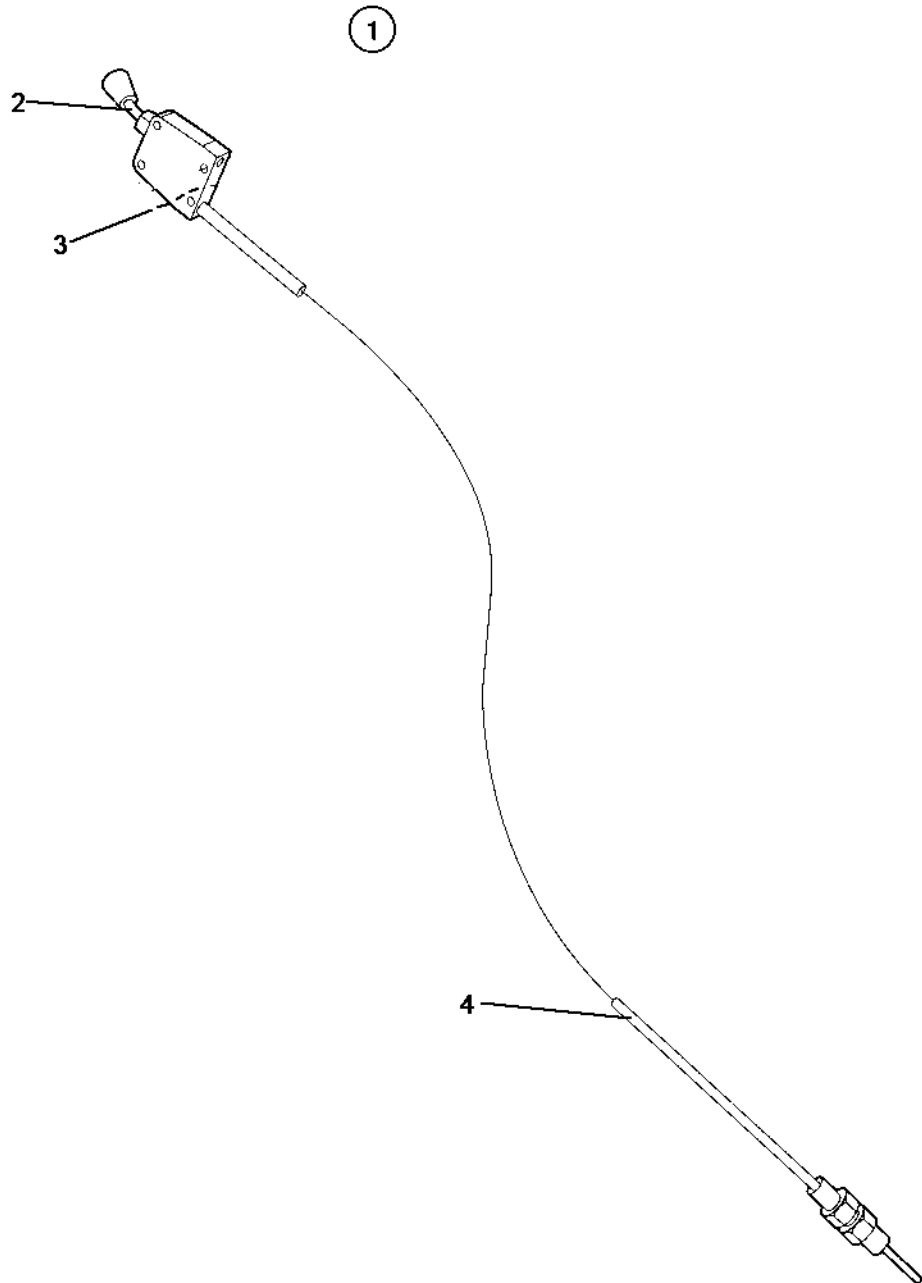
Throttle control, Honda

18255



Throttle control, Honda

| Item | Part No | Rem Qty | Description | Code |
|-------------|----------------|----------------|-----------------------|-------------|
| 1 | 4700286452 | 1 | Throttle control, cpl | |
| 2 | 4700455019 | 1 | .Throttle handle | |
| | 4700945655 | 1 | ..Knob | |
| 3 | 4700238443 | 1 | .Square nipple | |
| 4 | 4700286445 | 1 | .Throttle cable | |



Throttle control, Hatz

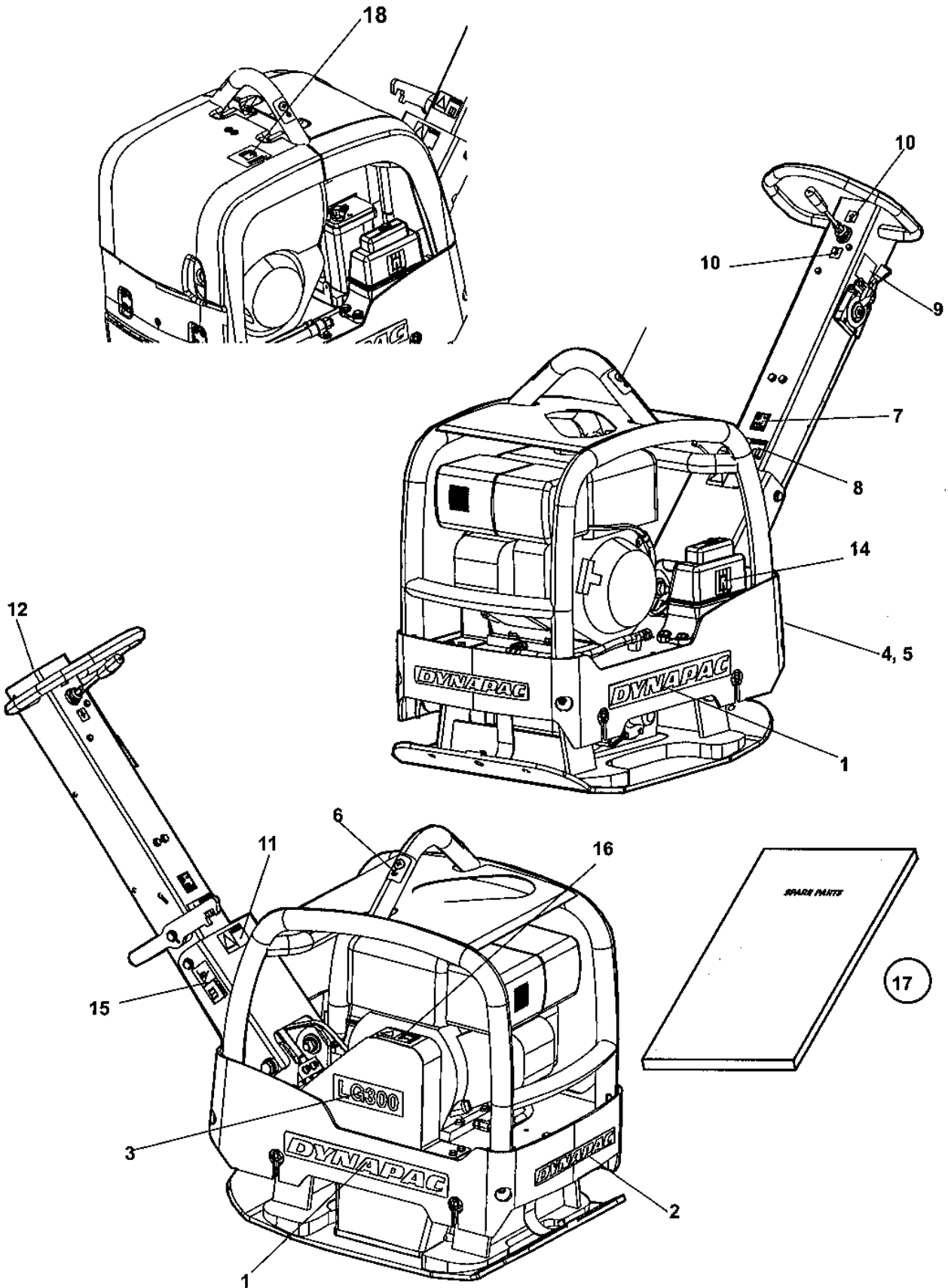
| Item | Part No | Rem Qty | Description | Code |
|------|------------|---------|-----------------------|------|
| 1 | 4700379300 | 1 | Throttle control, cpl | |
| 2 | 4700455019 | 1 | .Throttle handle | |
| | 4700945655 | 1 | ..Knob | |
| 3 | 4700238443 | 1 | .Square nipple | |
| 4 | 4700379299 | 1 | .Throttle cable | |

Decals and documentation

| Item | Part No | Rem Qty | Description | Code |
|-------------|----------------|----------------|--------------------------------------|-------------|
| 10 | | | Decals and documentation (Page 68) | |

Decals and documentation

18218



Decals and documentation

| Item | Part No | Rem | Qty | Description | Code |
|------|------------|-----|-----|------------------------------------|--------|
| 1 | 4700379424 | | 2 | Decal "DYNAPAC" | |
| 2 | 4700379423 | | 1 | Decal "DYNAPAC" | |
| 3 | 4700379645 | | 1 | Decal "MODEL CODE" | |
| 4 | | | 1 | Product identification plate | |
| 5 | 4700527002 | | 4 | Drive screw | |
| 6 | 4700281269 | | 2 | Decal "LIFT" | |
| 7 | 4700791296 | | 1 | Decal "Sound power level" | |
| 8 | 4700904680 | | 1 | Decal "Read instruction manual" | |
| 9 | 4700284285 | | 1 | Decal | |
| 10 | 4700284278 | | 1 | Decal | |
| 11 | 4700904785 | | 1 | Safety decal | |
| 12 | 4700281898 | | 1 | Decal "Ear protection" | |
| 14 | 4700272373 | | 1 | Decal "HYDRAULIC OIL" | |
| 15 | 4700908229 | | 1 | Safety decal | |
| 16 | 4700903832 | | 1 | Safety decal | |
| 17 | | | 1 | Documentation | |
| | | | 1 | .Spare parts catalogue | SLG300 |
| | | | 1 | .Instruction book, engine | |
| | | | 1 | .Operation and maintenance | ILG300 |
| | | | 1 | .Warranty conditions | |
| | | | 1 | .Warranty registration certificate | |
| | | | 1 | .CE declaration | |
| 18 | 4700991658 | A | 1 | Decal "FUEL" | |

A) Only for Hatz version

NUMERICAL INDEX

| Part Number | Page | Part Number | Page | Part Number | Page |
|-------------|----------|-------------|----------|-------------|-------------|
| 4700111114 | 49 | 4700377943 | 11 | 4700395060 | 21 |
| 4700134036 | 45,47 | 4700377988 | 45 | 4700395582 | 29,35,37 |
| 4700150002 | 23 | 4700378033 | 47 | 4700455019 | 63,65 |
| 4700150009 | 49 | 4700378048 | 11 | 4700482539 | 33 |
| 4700150017 | 21 | 4700378071 | 37 | 4700483899 | 61 |
| 4700151007 | 21 | 4700378072 | 37 | 4700483900 | 61 |
| 4700151017 | 49 | 4700378719 | 37 | 4700500013 | 9,29,35,37 |
| 4700151039 | 23 | 4700378756 | 9 | 4700500016 | 61 |
| 4700160110 | 57 | 4700378777 | 21 | 4700500019 | 7,29,35,37 |
| 4700162011 | 21 | 4700378927 | 9 | 4700500021 | 33,37,57 |
| 4700232095 | 33 | 4700379004 | 7 | 4700500022 | 11,27 |
| 4700232143 | 21 | 4700379016 | 21 | 4700500025 | 7,61 |
| 4700238443 | 63,65 | 4700379028 | 37 | 4700500026 | 9 |
| 4700239517 | 39 | 4700379038 | 9 | 4700500029 | 7,11 |
| 4700239539 | 45,47 | 4700379041 | 9 | 4700500031 | 29 |
| 4700239734 | 47 | 4700379045 | 9 | 4700500035 | 29,35,37 |
| 4700239768 | 47 | 4700379046 | 9 | 4700500040 | 21 |
| 4700239772 | 31 | 4700379047 | 9 | 4700500043 | 7,61 |
| 4700239857 | 45,47 | 4700379061 | 37 | 4700500046 | 29,35,37 |
| 4700271032 | 13 | 4700379062 | 37 | 4700500048 | 7 |
| 4700272373 | 69 | 4700379165 | 21 | 4700500051 | 13 |
| 4700280417 | 13 | 4700379166 | 21 | 4700500053 | 11,35,37 |
| 4700280534 | 7,61 | 4700379167 | 21 | 4700500056 | 29,35,37 |
| 4700280540 | 11 | 4700379168 | 21 | 4700500198 | 35 |
| 4700280637 | 23 | 4700379175 | 21 | 4700508002 | 33 |
| 4700280644 | 21 | 4700379235 | 7 | 4700508023 | 29 |
| 4700280645 | 21 | 4700379243 | 37 | 4700508025 | 21,29,35,37 |
| 4700280647 | 23 | 4700379299 | 65 | 4700508028 | 11 |
| 4700280648 | 21 | 4700379300 | 65 | 4700508063 | 7 |
| 4700280654 | 11 | 4700379402 | 9 | 4700527002 | 69 |
| 4700280669 | 21 | 4700379423 | 69 | 4700535002 | 45 |
| 4700280677 | 21 | 4700379424 | 69 | 4700570005 | 13,61 |
| 4700280750 | 11 | 4700379433 | 9 | 4700570006 | 7 |
| 4700280835 | 49 | 4700379645 | 69 | 4700570007 | 7,11 |
| 4700280836 | 49 | 4700379659 | 61 | 4700573004 | 7 |
| 4700280837 | 49 | 4700380155 | 21 | 4700586002 | 9 |
| 4700281234 | 29 | 4700381385 | 57 | 4700586003 | 61 |
| 4700281258 | 35,37 | 4700381563 | 57 | 4700586019 | 29,35,37 |
| 4700281269 | 69 | 4700381566 | 57 | 4700615050 | 27 |
| 4700281276 | 23 | 4700381882 | 9 | 4700630015 | 13 |
| 4700281336 | 29 | 4700381954 | 15,17 | 4700747541 | 11 |
| 4700281898 | 69 | 4700383293 | 39 | 4700791234 | 9 |
| 4700282993 | 61 | 4700383562 | 55 | 4700791296 | 69 |
| 4700283075 | 29,35,37 | 4700383598 | 13 | 4700791341 | 29,35,37 |
| 4700284107 | 35,37 | 4700385387 | 7 | 4700791373 | 7,61 |
| 4700284115 | 31 | 4700390396 | 11 | 4700791397 | 61 |
| 4700284278 | 69 | 4700390450 | 61 | 4700791537 | 21,55 |
| 4700284285 | 69 | 4700390485 | 9 | 4700791614 | 13 |
| 4700284365 | 29,35,37 | 4700390487 | 9 | 4700791752 | 35,37 |
| 4700286380 | 21 | 4700390560 | 33 | 4700792099 | 27 |
| 4700286445 | 63 | 4700390641 | 37 | 4700792208 | 9 |
| 4700286452 | 63 | 4700390644 | 37 | 4700792234 | 37 |
| 4700313001 | 27 | 4700390645 | 37 | 4700792253 | 55 |
| 4700313003 | 7 | 4700391211 | 15 | 4700792254 | 21 |
| 4700313008 | 7 | 4700391212 | 17 | 4700792723 | 21 |
| 4700376674 | 7 | 4700391406 | 9 | 4700792724 | 21 |
| 4700376675 | 7 | 4700393848 | 37 | 4700902224 | 9 |
| 4700376676 | 57 | 4700393849 | 37 | 4700902285 | 29,35,37,61 |
| 4700377359 | 23 | 4700394417 | 29,35,37 | 4700902287 | 15,17 |
| 4700377624 | 11 | 4700394933 | 13 | 4700903268 | 27 |
| 4700377893 | 39 | 4700394985 | 13 | 4700903363 | 21 |
| 4700377894 | 39 | 4700395059 | 21 | 4700903821 | 61 |

NUMERICAL INDEX

| Part Number | Page | Part Number | Page | Part Number | Page |
|-------------|------------------|-------------|------|-------------|-------|
| 4700903832 | 69 | 4700937004 | 39 | 4700937515 | 31 |
| 4700903925 | 33 | 4700937011 | 39 | 4700937516 | 31 |
| 4700904206 | 9 | 4700937012 | 39 | 4700937527 | 45,47 |
| 4700904213 | 7,29,35,37 | 4700937013 | 39 | 4700937604 | 41 |
| 4700904228 | 9,21,29,33,35,37 | 4700937014 | 39 | 4700937605 | 41 |
| | 61 | 4700937016 | 39 | 4700937606 | 41 |
| 4700904229 | 7,11,29,35,37,57 | 4700937017 | 39 | 4700937608 | 39 |
| | 61 | 4700937018 | 39 | 4700937609 | 31 |
| 4700904230 | 7,61 | 4700937020 | 39 | 4700937610 | 31 |
| 4700904231 | 11,29,35,37 | 4700937022 | 39 | 4700937924 | 61 |
| 4700904341 | 15,17 | 4700937023 | 39 | 4700938086 | 37,39 |
| 4700904557 | 29 | 4700937024 | 39 | 4700938146 | 37,39 |
| 4700904638 | 21 | 4700937029 | 47 | 4700938724 | 45,47 |
| 4700904640 | 13 | 4700937031 | 47 | 4700938725 | 45,47 |
| 4700904649 | 9 | 4700937346 | 39 | 4700938726 | 45,47 |
| 4700904655 | 9 | 4700937347 | 39 | 4700938935 | 39 |
| 4700904680 | 69 | 4700937348 | 39 | 4700939220 | 39 |
| 4700904687 | 35 | 4700937350 | 39 | 4700939519 | 39 |
| 4700904703 | 11 | 4700937354 | 39 | 4700939588 | 39 |
| 4700904734 | 27,33 | 4700937460 | 31 | 4700939638 | 39 |
| 4700904747 | 29,37 | 4700937461 | 31 | 4700945110 | 45 |
| 4700904785 | 69 | 4700937462 | 31 | 4700945111 | 45 |
| 4700904960 | 57 | 4700937463 | 31 | 4700945260 | 45 |
| 4700908229 | 69 | 4700937464 | 31 | 4700945612 | 47 |
| 4700921031 | 9 | 4700937465 | 31 | 4700945655 | 63,65 |
| 4700921044 | 35,37 | 4700937466 | 31 | 4700947700 | 7 |
| 4700924543 | 13,29,35,37 | 4700937467 | 31 | 4700991658 | 69 |
| 4700928241 | 21 | 4700937468 | 31 | D100504609 | 27 |
| 4700928794 | 21 | 4700937469 | 31 | D100505023 | 7,61 |
| 4700928894 | 55 | 4700937471 | 31 | D100900827 | 61 |
| 4700929286 | 23 | 4700937472 | 31 | D100901024 | 45 |
| 4700929287 | 21 | 4700937473 | 31 | D100901032 | 45,47 |
| 4700929291 | 23 | 4700937474 | 31 | D100901382 | 27 |
| 4700929454 | 11 | 4700937475 | 31 | D376992-03 | 7 |
| 4700936538 | 31 | 4700937476 | 31 | D378031-02 | 61 |
| 4700936975 | 39 | 4700937477 | 31 | D378440-02 | 61 |
| 4700936977 | 39 | 4700937478 | 31 | D378624-03 | 7 |
| 4700936978 | 39 | 4700937479 | 31 | D379030-03 | 7 |
| 4700936979 | 39 | 4700937480 | 31 | D390875-02 | 29 |
| 4700936980 | 39 | 4700937481 | 31 | D390876-02 | 35,37 |
| 4700936981 | 39 | 4700937482 | 31 | D391218-01 | 7 |
| 4700936982 | 39 | 4700937484 | 31 | | |
| 4700936983 | 39 | 4700937485 | 31 | | |
| 4700936985 | 39 | 4700937486 | 31 | | |
| 4700936986 | 39 | 4700937487 | 31 | | |
| 4700936987 | 39 | 4700937488 | 31 | | |
| 4700936988 | 39 | 4700937489 | 31 | | |
| 4700936989 | 39 | 4700937490 | 31 | | |
| 4700936990 | 39 | 4700937491 | 31 | | |
| 4700936991 | 39 | 4700937493 | 31 | | |
| 4700936992 | 39 | 4700937494 | 31 | | |
| 4700936993 | 39 | 4700937495 | 31 | | |
| 4700936994 | 39 | 4700937496 | 31 | | |
| 4700936995 | 39 | 4700937497 | 31 | | |
| 4700936996 | 39 | 4700937498 | 31 | | |
| 4700936997 | 39 | 4700937499 | 31 | | |
| 4700936998 | 39 | 4700937501 | 31 | | |
| 4700936999 | 39 | 4700937502 | 31 | | |
| 4700937000 | 39 | 4700937503 | 31 | | |
| 4700937001 | 41 | 4700937512 | 31 | | |
| 4700937002 | 39 | 4700937513 | 31 | | |
| 4700937003 | 39 | 4700937514 | 31 | | |