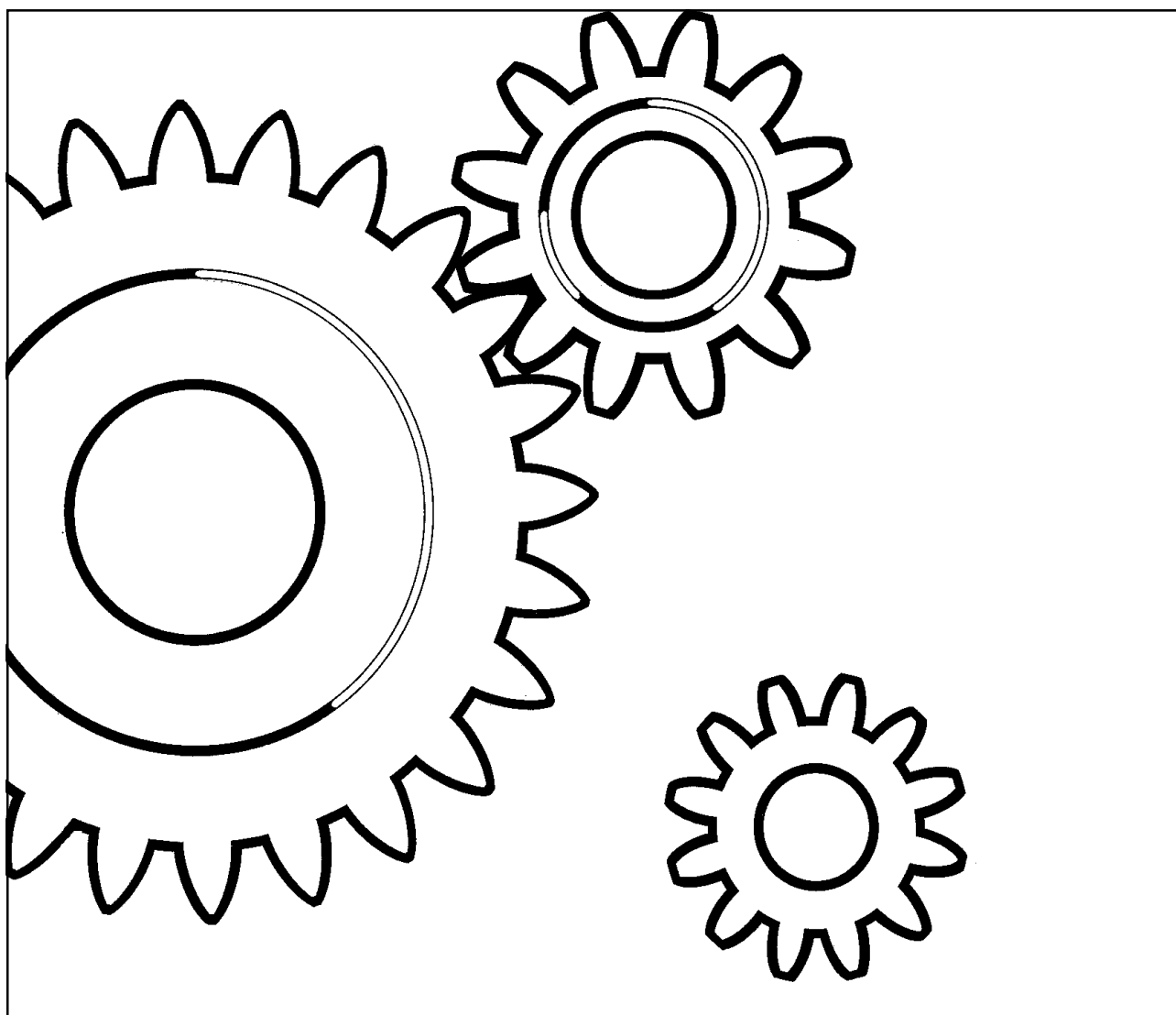


**DYNAPAC**  
**LG200**  
**SPARE PARTS**  
**CATALOGUE**  
SLG200-3EN2



***DYNAPAC***

Part of the Atlas Copco Group

Atlas Copco Construction Tools AB

SE-105 23 Stockholm, Sweden



## Forward/Reverse Vibratory Plate Compactor LG200

### Spare Parts Catalogue

### SLG200-3EN2

*Valid from serial number:*

*\*32007397-\**

*Engines:*

*Honda GX200*

*Hatz 1B20*

*Published catalogue issues valid for these trench compactors:*

<i>Catalogue</i>	<i>Issue date</i>	<i>Replaced by</i>
SLG200-2EN1	2004 - 01	SLG200-2EN2
SLG200-2EN2	2005 - 04	SLG200-2EN3
SLG200-2EN3	2008 - 09	SLG200-3EN1
SLG200-2EN4	2009 - 03	SLG200-2EN4
SLG200-3EN1	2009 - 03	SLG200-3EN2
SLG200-3EN2	2009 - 04	



**RESERVDLSBESTÄLLNING**

Följande uppgifter ska lämnas vid beställning av reservdelar för att undvika leveransfel:

1. Maskintyp.
2. Vältens serienummer.
3. Antal av önskad reservdel.
4. Reserdelens artikelnummer.
5. Reservdelens benämning.
6. Måttuppgifter vid beställning av metervara.

**ERSATZTEILBESTELLUNG**

Zur Vermeidung von Fehllieferungen sind bei der Bestellung von Ersatzteilen folgende Angaben zu machen:

1. Maschinentyp.
2. Herstellungsnummer.
3. Bestellmenge. (Quantity)
4. Ersatzteilnummer. (Part N°)
5. Ersatzteilbenennung. (Denomination)
6. Massangaben bei Bestellung von Meterware.

**PEDIDO DE RECAMBIOS**

Para evitar errores en las entregas, deberán indicarse los siguientes datos al hacer un pedido de recambios:

1. Tipo de máquina.
2. Número de serie.
3. Cantidad de piezas deseadas. (Quantity)
4. Número de artículo de la pieza de recambio. (Part N°)
5. Denominación de la pieza. (Denomination)
6. Indíquese la medida al solicitar un artículo que se expide por metros.

**ORDERING SPARE PARTS**

To avoid errors in delivery, please give the following information when ordering spare parts:

1. Type of machine.
2. Roller serial number.
3. Quantity required.
4. Part number.
5. Parts denomination.
6. Dimensions when ordering per length.

**ORDINI DI RICAMBI**

Per evitare errori nelle consegne di ricambi, Vi preghiamo di comunicarci le seguenti informazioni al momento dell'ordinazione:

1. Tipo di macchina.
2. Numero di serie della macchina.
3. Quantità dei pezzi desiderati. (Quantity)
4. Numero di codice del pezzo. (Part N°)
5. Descrizione del pezzo di ricambio. (Denomination)
6. Misura, in caso di ordine per metro.

**COMMANDE DE PIÉCES DE RECHANGE**

Les indications suivantes doivent être fournies lors de la commande de pièces de rechange, afin d'éviter toute erreur de livraison:

1. Type de machine.
2. Numéro de série.
3. Quantité désirée de pièce de rechange. (Quantity)
4. Numéro de la pièce de rechange. (Part N°)
5. Dénomination de la pièce de rechange. (Denomination)
6. Longueur en cas de commande au mètre.

**YOUR AGENT/DEALER:**





## PÄRMETIKETT

För att undvika fel vid reservdelsbeställning finns här nedan två etiketter som passar i fickorna på pärmarnas ryggar. På dessa kan man se från vilket vältnummer av aktuell maskin reservdelskatalogen gäller. Gör så här:

1. Tag denna sida ur pärmen.
2. Klipp ut etiketten till **VÄNSTER** (1) och sätt in den i fickan på **DENNA** pärmens rygg.
3. Finns det en etikett till **HÖGER** (2), kan denna användas på pärmen för **FÖREGÅENDE** utgåva av denna katalog.
4. Kasta detta papper.

## KATALOG-BESCHRIFTUNG

Zur Vermeidung von Fehlern bei der Ersatzteilbestellung benutzen Sie bitte die unteren Beschriftungen, um die Kataloge auf der Rückseite zu kennzeichnen. Auf der Beschriftung ist angegeben, für welche Maschinennummern der jeweilige Katalog gültig ist. Ablauf:

1. Nehmen Sie dieses Blatt aus dem Katalog.
2. Schneiden Sie die **LINKE** Beschriftung (1) aus. Schieben Sie die Beschriftung in die tasche auf **DEM** Katalogrücke.
3. Sollte die Beschriftung unten **RECHTS** (2) mitgeliefert werden, kennzeichnen Sie damit bitte die **ÄLTERE** Ausführung dieses Kataloges.
4. Den Rest dieses Blattes bitte vernichten.

## ETIQUETA PARA LA CARPETA

Para evitar errores al pedir repuestos utilicen las etiquetas abajo descritas para identificar los catálogos en la parte trasera de la carpeta. En la etiqueta se ven los números de referencia de la serie para la cual es válido el catálogo. Instrucciones:

1. Quitar esta página de la carpeta.
2. Corta la etiqueta **IZQUIERDA** (1) y ponerla en **ESTA** carpeta en la parte trasera.
3. Si hay una etiqueta en la parte **DERECHA** (2) se puede utilizar en la carpeta para el catálogo que **PRECEDE** a esta.
4. Tirar esta hoja.

## BINDER LABEL

To avoid errors when ordering spare parts use the labels below to identify the catalogues on the back of the binder. The label contain the serial number range for which the catalogue is valid. Do like this:

1. Remove this page from the binder.
2. Cut out the **LEFT** label (1) and put it on **THIS** binders back.
3. If there is a label to the **RIGHT** (2), it can be used on the binder for **PRECEDING** issue of this catalogue.
4. Throw away this paper.

## ETICHETTAPOSTASULRACCOGLITORE

Per evitare errori quando ordinate pezzi di ricambio, usate le etichette in calce che servono ad identificare i cataloghi sul retro del raccoglitore. L'etichetta indica il numero di matricola delle macchine prese in considerazione nel catalogo.

1. Rimuovete questa pagina dal raccoglitore.
2. Ritagliate l'etichetta posta a **SINISTRA** (1) e ponetela sul retro **DEL** raccoglitore.
3. Se trovate anche un'etichetta sulla **DESTRA** (2), ritagliatela e ponetela sul raccoglitore relativo alla **PRECEDENTE** edizione del catalogo.
4. Distruggete questo foglio.

## ETIQUETAGE DU CATALOGUE

Afin d'éviter des erreurs lors de commandes de pièces de rechange, nous vous conseillons d'apposer les marquages ci-dessous à l'arrière du classeur, pour identifier les catalogues. Ce marquage indique les numéros de série pour lesquels le catalogue est adapté. Il convient de procéder de la façon suivante:

1. Retirez cette page du classeur.
2. Découpez l'étiquette de **GAUCHE** (1), et apposez-la à l'arrière de **CE** catalogue.
3. Si il y a une étiquette à **DROITE** (2), vous pourrez l'apposer sur le classeur de l'édition **PRECEDENTE** du catalogue.
4. Détruire cette feuille.

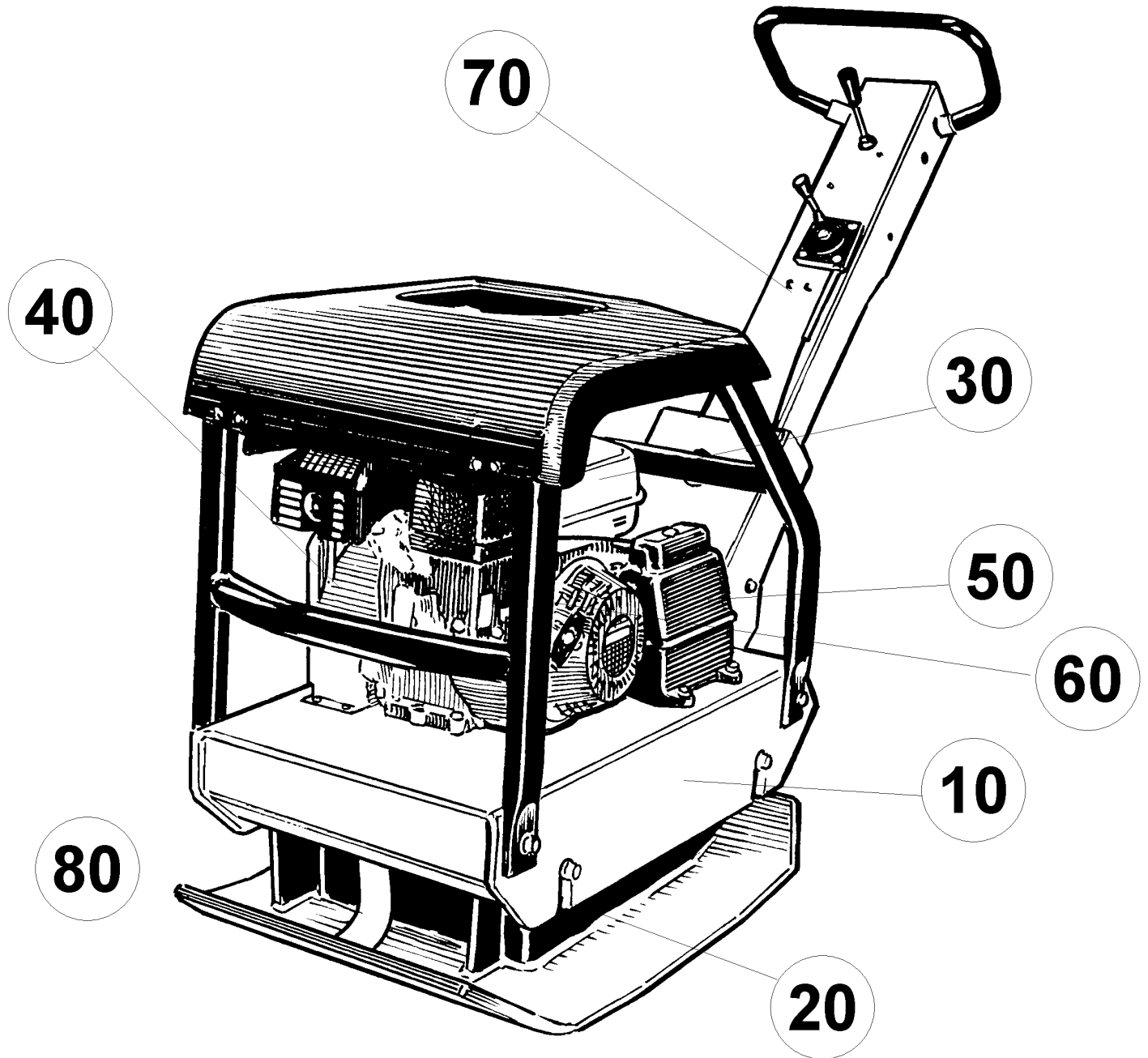
1.







<b>LG200 SN 2007396-</b> .....	<b>2</b>
<b>Ground plate, engine plate and frame</b> .....	<b>4</b>
Ground plate, engine plate and frame .....	6
Ground plate and eccentric element .....	8
Option, transport device .....	10
Transport device New version .....	12
<b>Eccentric element</b> .....	<b>14</b>
Eccentric element .....	16
Piston, cpl .....	18
<b>Engine and engine installation</b> .....	<b>20</b>
Engine Honda GX200 .....	22
Engine Hatz 1B20 .....	24
Engine installation, Honda .....	28
Engine installation, Hatz .....	30
<b>Power transmission</b> .....	<b>32</b>
Power transmission, Honda .....	34
Power transmission, Hatz .....	36
<b>Hydraulic system</b> .....	<b>38</b>
Hydraulic system .....	40
Hydraulic oil tank .....	42
Hydraulic pump installation .....	44
<b>Electrical equipment</b> .....	<b>46</b>
Electrical equipment .....	48
<b>Handle and throttle control</b> .....	<b>50</b>
Handle and throttle control, Honda .....	52
Handle and throttle control, Hatz .....	54
<b>Decals and documentation</b> .....	<b>56</b>
Decals and documentation .....	58



<b>Item</b>	<b>Part No</b>	<b>Rem Qty</b>	<b>Description</b>	<b>Code</b>
10			Ground plate, engine plate and frame ( Page 4 )	
20			Eccentric element ( Page 14 )	
30			Engine and engine installation ( Page 20 )	
40			Power transmission ( Page 32 )	
50			Hydraulic system ( Page 38 )	
60			Electrical equipment ( Page 46 )	
70			Handle and throttle control ( Page 50 )	
80			Decals and documentation ( Page 56 )	
		1		

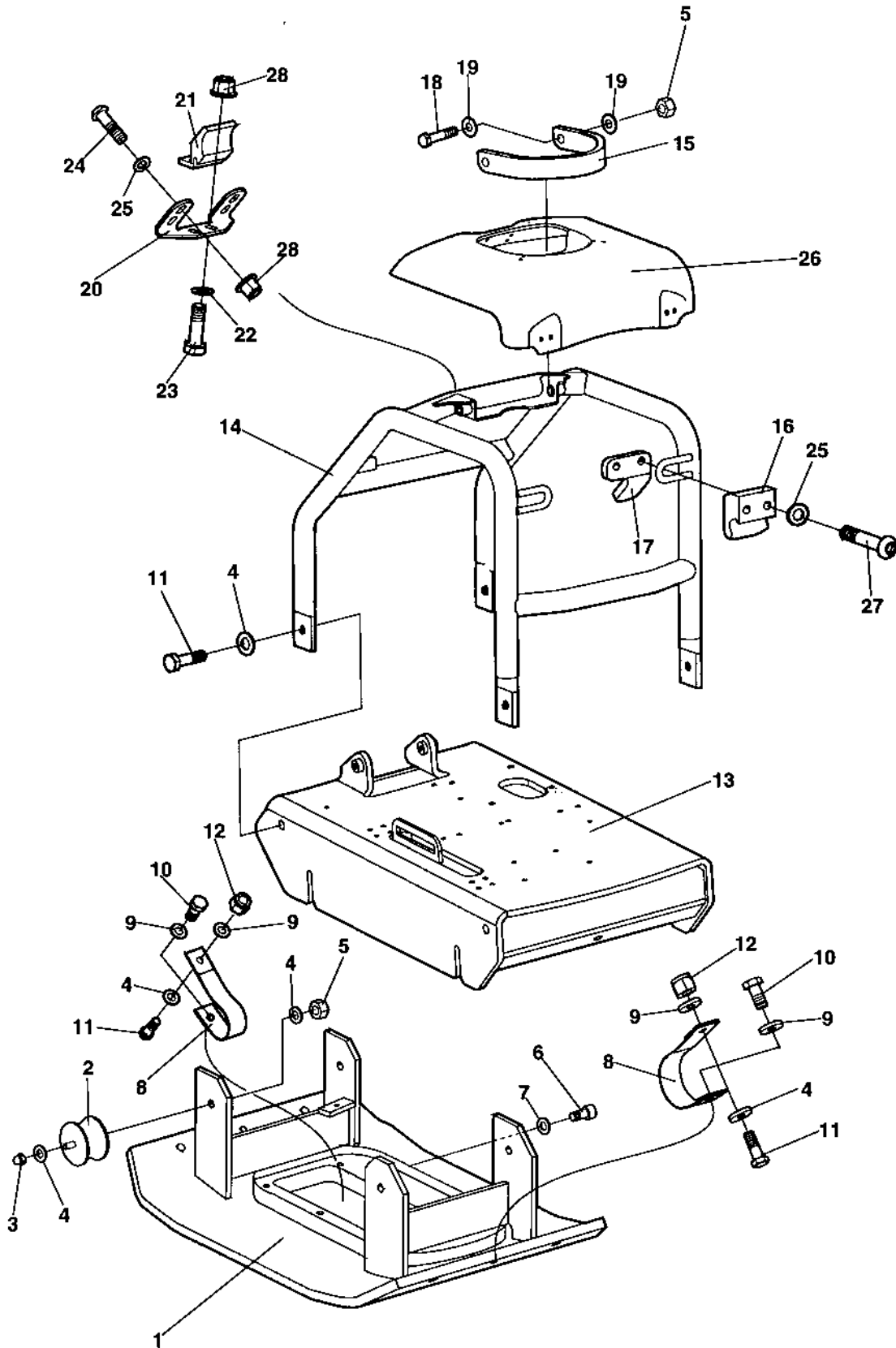


**Ground plate, engine plate and frame**

<b>Item</b>	<b>Part No</b>	<b>Rem Qty</b>	<b>Description</b>	<b>Code</b>
10			Ground plate, engine plate and frame ( Page 6 )	
15			Ground plate and eccentric element ( Page 8 )	
20			Option, transport device ( Page 10 )	
30			Transport device ( Page 12 )	New version

Ground plate, engine plate and frame

17958

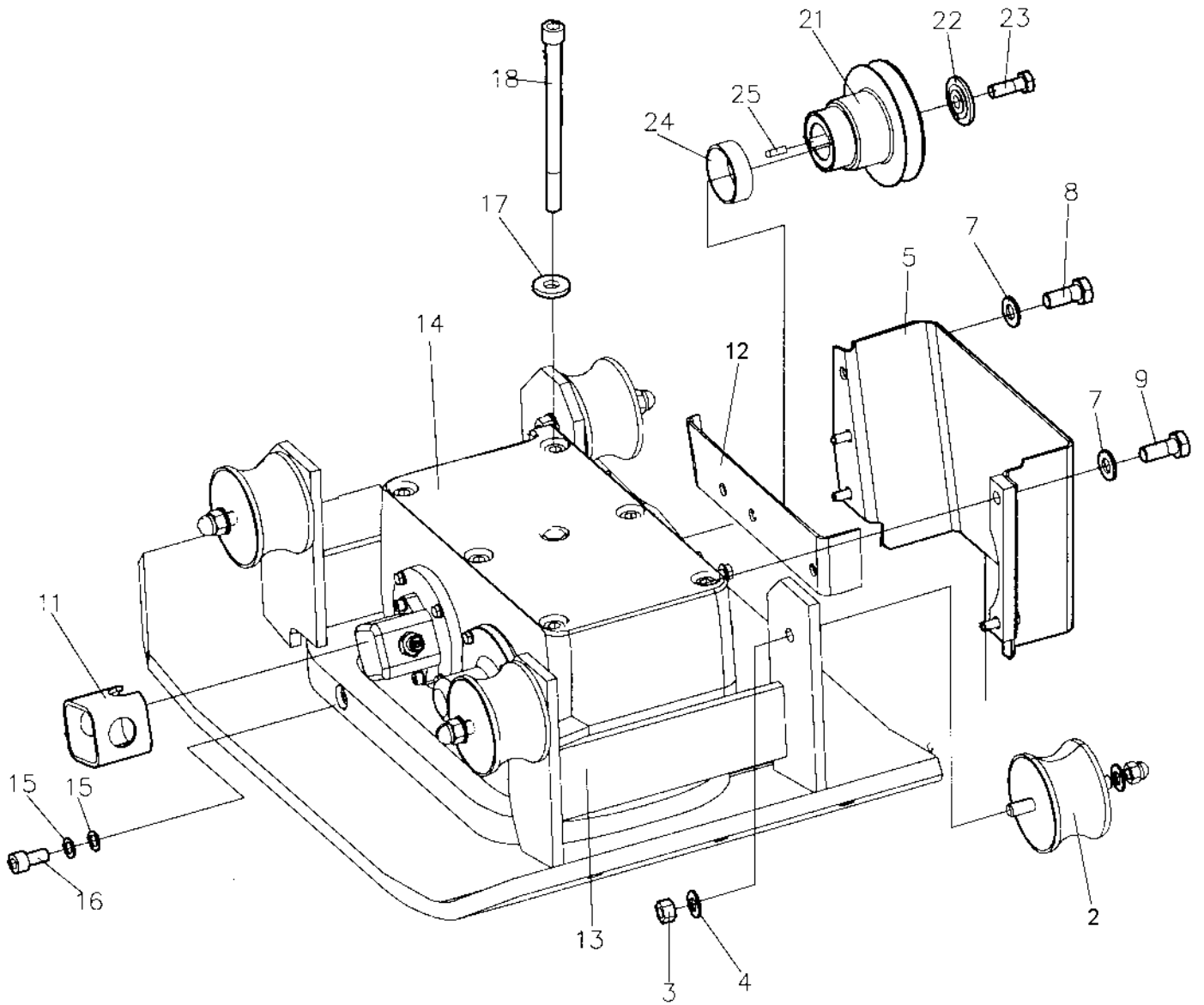


Ground plate, engine plate and frame

Item	Part No	Rem Qty	Description	Code
1	4700280621	1	Ground plate	
2	4700280750	4	Shock absorber	B
3	4700581013	4	Nut	
4	4700904231	12	Washer	13x24x2 300 HV
5	4700570007	6	Hexagon nut	M12
6	4700508028	1	Screw	
7	4700747541	2	Washer	D
8	D100505036	2	Strap	D
9	4700924543	4	Washer	
10	4700500051	2	Screw	M12x25H 8.8 A3K
11	4700500037	6	Screw	
12	4700586019	2	Lock nut	
13	D386986-01	1	Engine base	
14	D387113-03	1	Protective frame	
15	D284237-03	1	Lifting lug	
16	4700387260	2	Clip	
17	4700387705	2	Stop	
18	4700500049	2	Screw	
19	4700904742	4	Washer	
20	4700387261	1	Bracket	
21	4700387259	1	Clip	
22	4700904228	2	Washer	6,4x12x1,5
23	4700500040	2	Screw	M6-1x20 8,8
24	4700791524	4	Screw	
25	4700904655	8	Washer	
26	4700387257	1	Hood	
27	4700904798	4	Screw	
28	4700902285	6	Lock nut	M6

**Ground plate and eccentric element**

**18975**





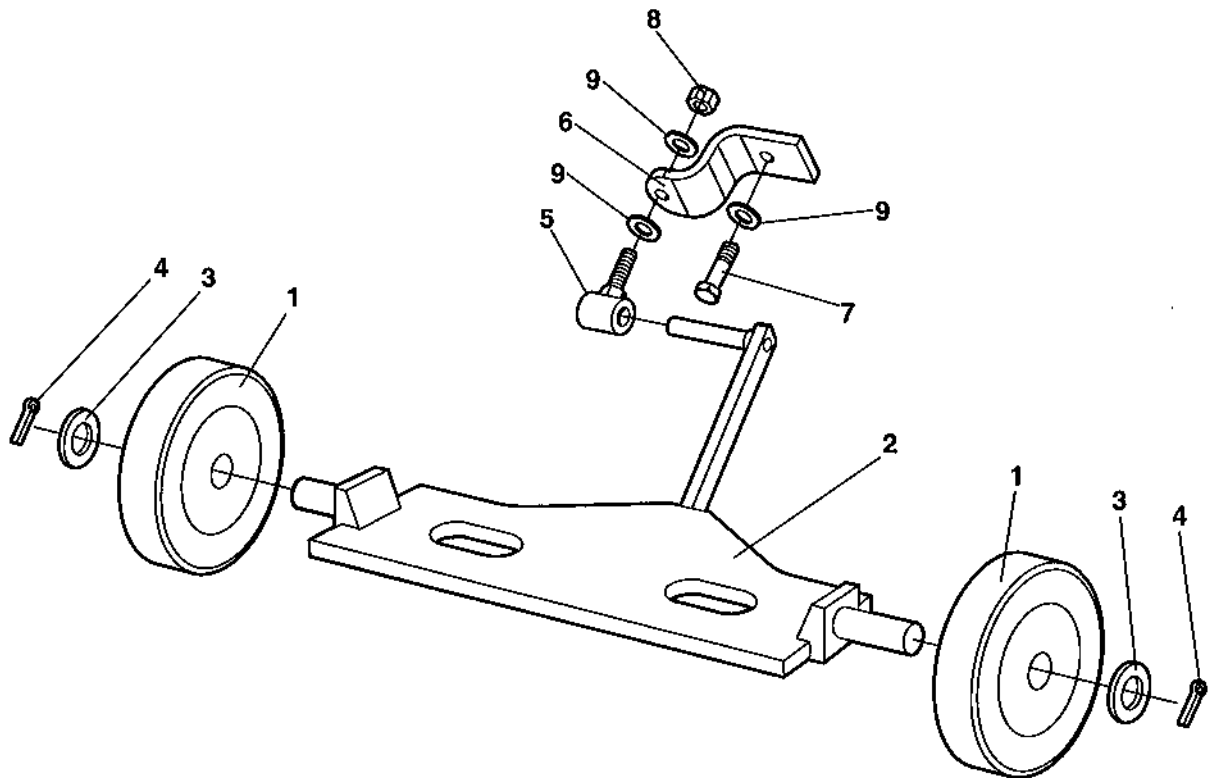
**Ground plate and eccentric element**

Item	Part No	Rem	Qty	Description	Code
2		A		Shock absorber	
3		A		Nut	
4		A		Washer	
5	4700280871		1	V-belt cover	
7	4700904229		8	Washer	8,4x16x1,5
8	4700500053		6	Screw	M8x20H 8.8
9	4700500022		2	Screw	M8x30H 8.8 A2K
11		B	1	Cover	
12	4700280858		1	V-belt protection, inner	
13		A	1	Ground plate	
14			1	Eccentric element ( Page 16 )	
15	4700747541		2	Washer	D
16	4700508028		1	Screw	
17	4700904703		6	Washer	
18	4700929454		6	Screw	
21	4700280643		1	Pulley	
22	4700280654		1	Washer	
23	4700500028		1	Screw	
24	4700928795		1	Sleeve	
25	4700350029		1	Key	

- A) See section ground plate, engine plate and frame
- B) See section hydraulic system

Option, transport device

17952

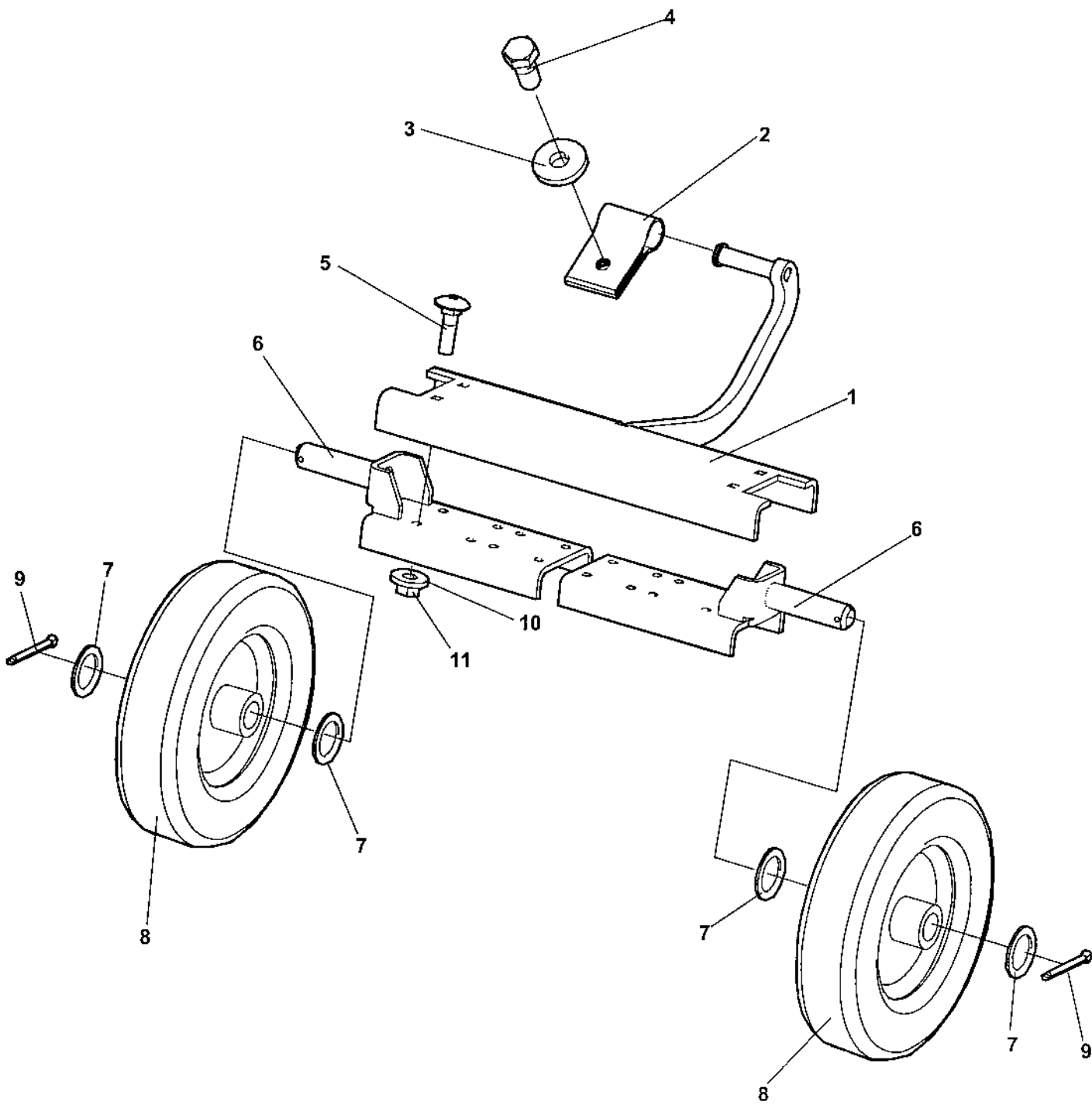


**Option, transport device**

<b>Item</b>	<b>Part No</b>	<b>Rem Qty</b>	<b>Description</b>	<b>Code</b>
1	4700383598	2	Wheel	
2	4700281887	1	Transport device	
3	4700271032	2	Washer	
4	4700630010	2	Split pin	
5	4700281893	1	Bracket	
6	4700389243	1	Bracket	
7	4700500056	1	Screw	
8	4700570007	1	Hexagon nut	M12
9	4700904231	3	Washer	13x24x2 300 HV
		1		

**Transport device New version**

**18682**



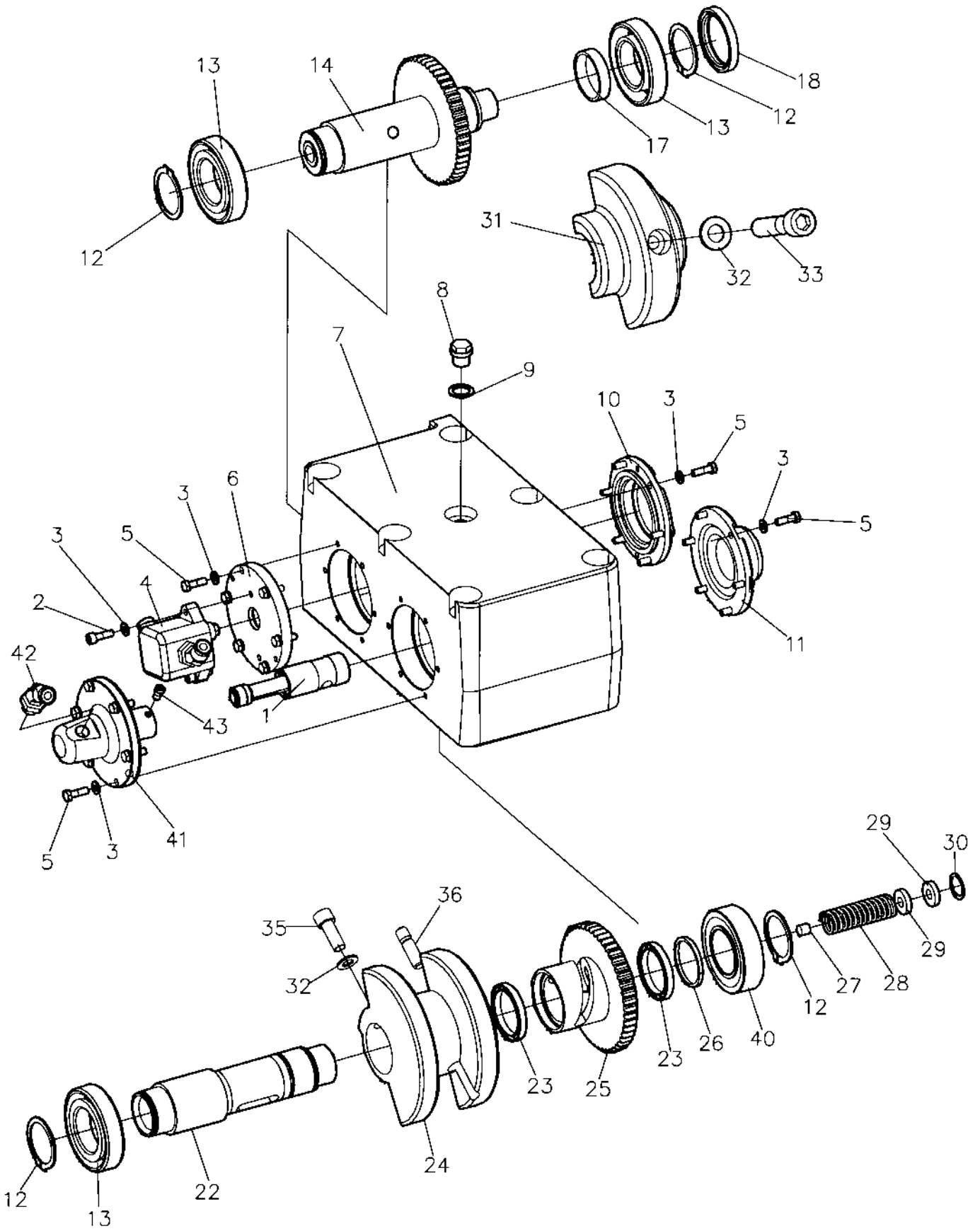
## Transport device New version

Item	Part No	Rem Qty	Description	Code
1	4700394933	1	Transport device	
2	4700280417	1	Strap	B
3	4700924543	1	Washer	
4	4700500051	1	Screw	M12x25H 8.8 A3K
5	4700791614	4	Screw	
6	4700394985	2	Wheel bracket	
7	4700271032	4	Washer	
8	4700383598	2	Wheel	
9	4700630015	2	Split pin	
10	4700904640	4	Washer	8,4x22x3
11	4700570005	4	Nut	M8



**Eccentric element**

Item	Part No	Rem Qty	Description	Code
10			Eccentric element ( Page 16 )	
20			Piston, cpl ( Page 18 )	
		1		



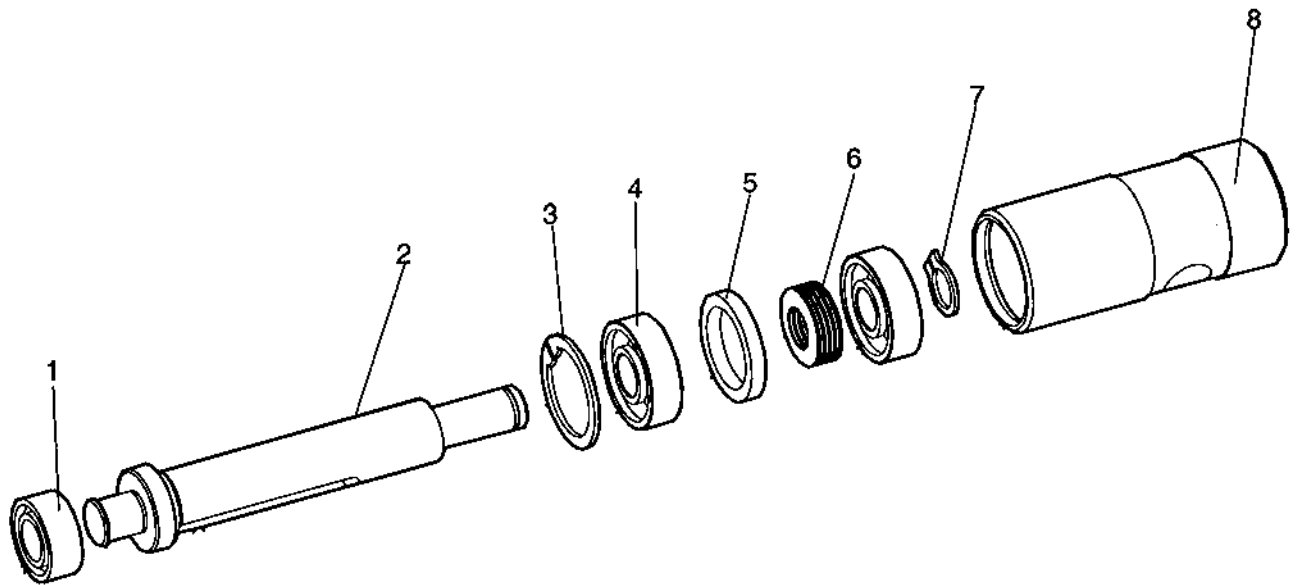


**Eccentric element**

Item	Part No	Rem Qty	Description	Code
		1	Eccentric element, cpl	
1		1	.Piston, cpl ( Page 18 )	
2	4700508025	2	.Screw	M6x20
3	4700904228	18	.Washer	6,4x12x1,5
4		1	.Hydraulic pump installation ( Page 44 )	
5	4700500040	16	.Screw	M6-1x20 8,8
6	4700379168	1	.Cover	
7	4700379175	1	.Eccentric housing	
8	4700232143	1	.Plug	
9	4700162011	1	.Washer, sealing	D
10	4700379167	1	.Cover	
11	4700379165	1	.Cover	
12	4700150017	4	.Retaining ring	D
13	4700903363	3	.Ball bearing	D
14	4700395060	1	.Shaft, cpl	
17	4700280645	1	.Spacer ring	
18	4700928794	1	.Sealing ring	D
22	4700378777	1	.Shaft	
23	4700929287	2	.Ball bearing	D
24	4700280669	1	.Eccentric	D
25	4700395059	1	.Reverser	
26	4700379016	1	.Ring	
27	4700928241	1	.Screw	
28	4700280677	1	.Spring	
29	4700280648	2	.Washer	
30	4700151007	1	.Retaining ring	
31	4700286380	1	.Weight	
32	4700904638	2	.Washer	12x22x2
33	4700792724	1	.Screw	
35	4700792723	1	.Screw	
36	4700280644	1	.Pin	
40	4700792254	1	.Spherical roller bearing	
41	4700379166	1	.Cylinder	
42	4700791537	1	.Straight connector	
43	4700380155	1	.Screw	
		1		

**Piston, cpl**

18217



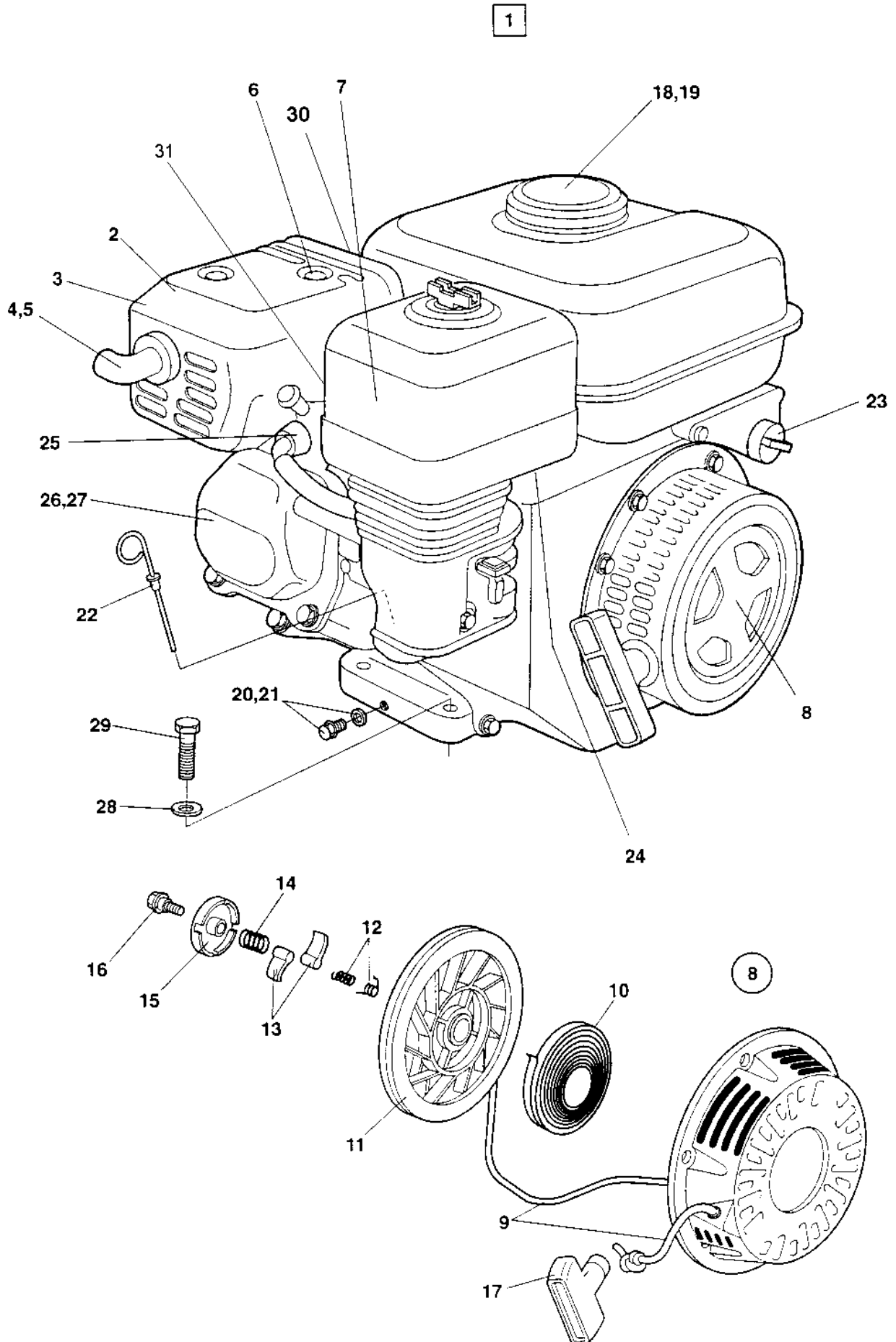
**Piston, cpl**

<b>Item</b>	<b>Part No</b>	<b>Rem Qty</b>	<b>Description</b>	<b>Code</b>
		1	Piston, cpl	
1	4700281276	1	.Sealing ring	
2	4700377359	1	.Piston rod	
3	4700151039	1	.Retaining ring	
4	4700929286	2	.Ball bearing	D
5	4700280647	1	.Spacer ring	
6	4700929291	10	.Cup spring	
7	4700150002	1	.Retaining ring	
8	4700280637	1	.Piston	



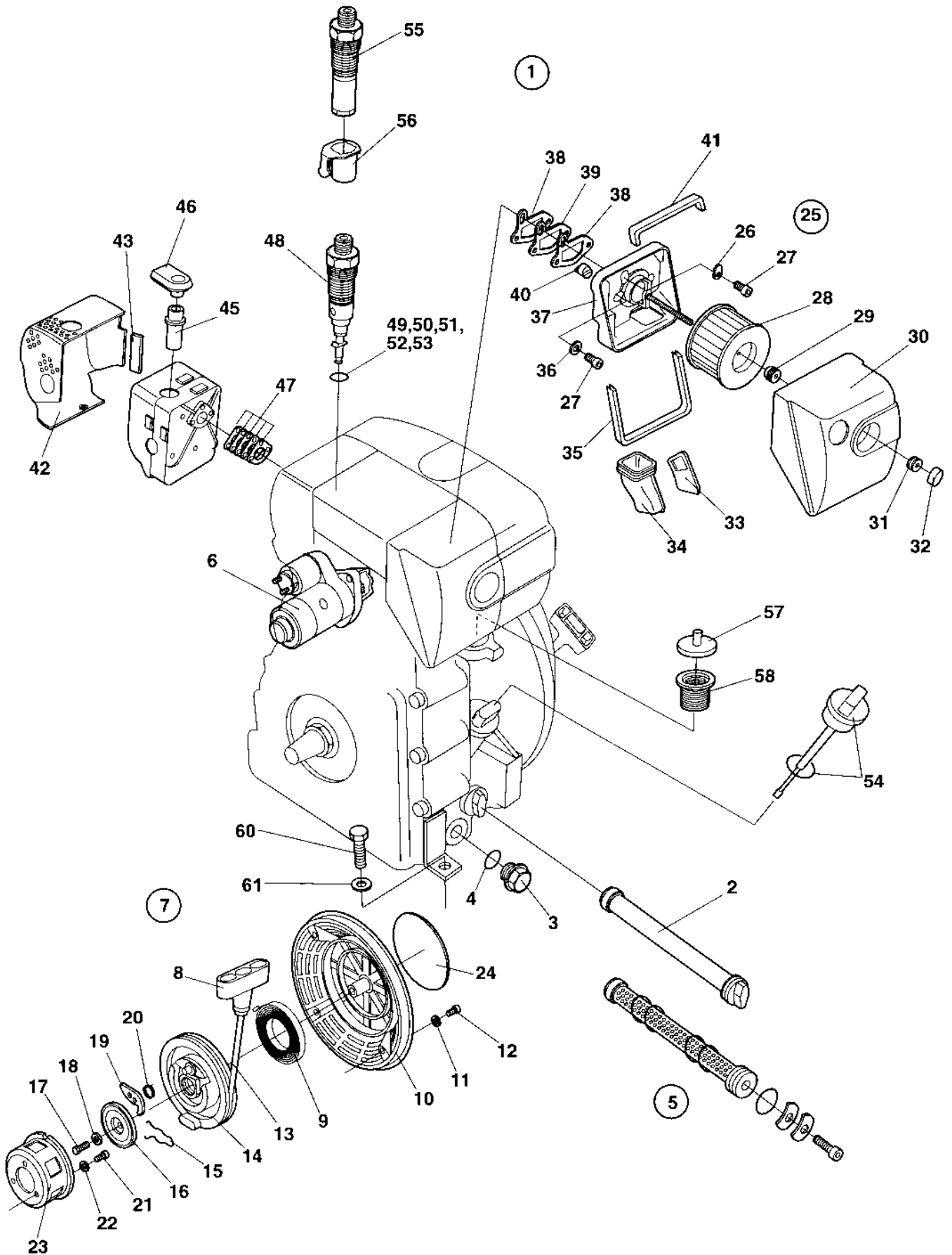
**Engine and engine installation**

<b>Item</b>	<b>Part No</b>	<b>Rem Qty</b>	<b>Description</b>	<b>Code</b>
10			Engine Honda GX200 ( Page 22 )	
20			Engine Hatz 1B20 ( Page 24 )	
30			Engine installation, Honda ( Page 28 )	
40			Engine installation, Hatz ( Page 30 )	



Item	Part No	Rem	Qty	Description	Code
1	4700387979		1	Engine, cpl	
2	4700239889		1	.Muffler	
3	4700239890		1	.Muffler cover	
4				Not used on this model	
5				Not used on this model	
6	4700239063		1	.Gasket, muffler	
7	4700239064		1	.Air cleaner element, cpl	A
8	4700239065		1	.Recoil starter, cpl	D
9	4700239374		1	..Starter rope	B
10	4700239375		1	..Spring	B
11	4700239376		1	..Reel	
12	4700239377		2	..Spring	
13	4700239378		2	..Ratchet	
14	4700239379		1	..Friction spring	
15	4700239380		1	..Guide	
16	4700239381		1	..Screw	
17	4700239391		1	..Handle	B
18	4700239321		1	.Fuel tank	
19	4700239324		1	.Fuel tank cap	D
20	4700239682		2	.Plug	D
21	4700238303		2	.Gasket	D
22	4700935802		1	.Oil level plug	
23	4700239067		1	.Oil alert	
24			1	.Carburettor, cpl.	
25	4700239565		1	.Spark plug	A
26	4700238301		1	.Gasket	D
27	4700238309		1	.Gasket, cylinder head	B
28		A	4	Washer	B
29		A	4	Screw	B
30			1	Catalyser	B
31	4700573002	B	1	Nut	M5

- A) See section engine installtion  
B) Locking nut for revolution screw

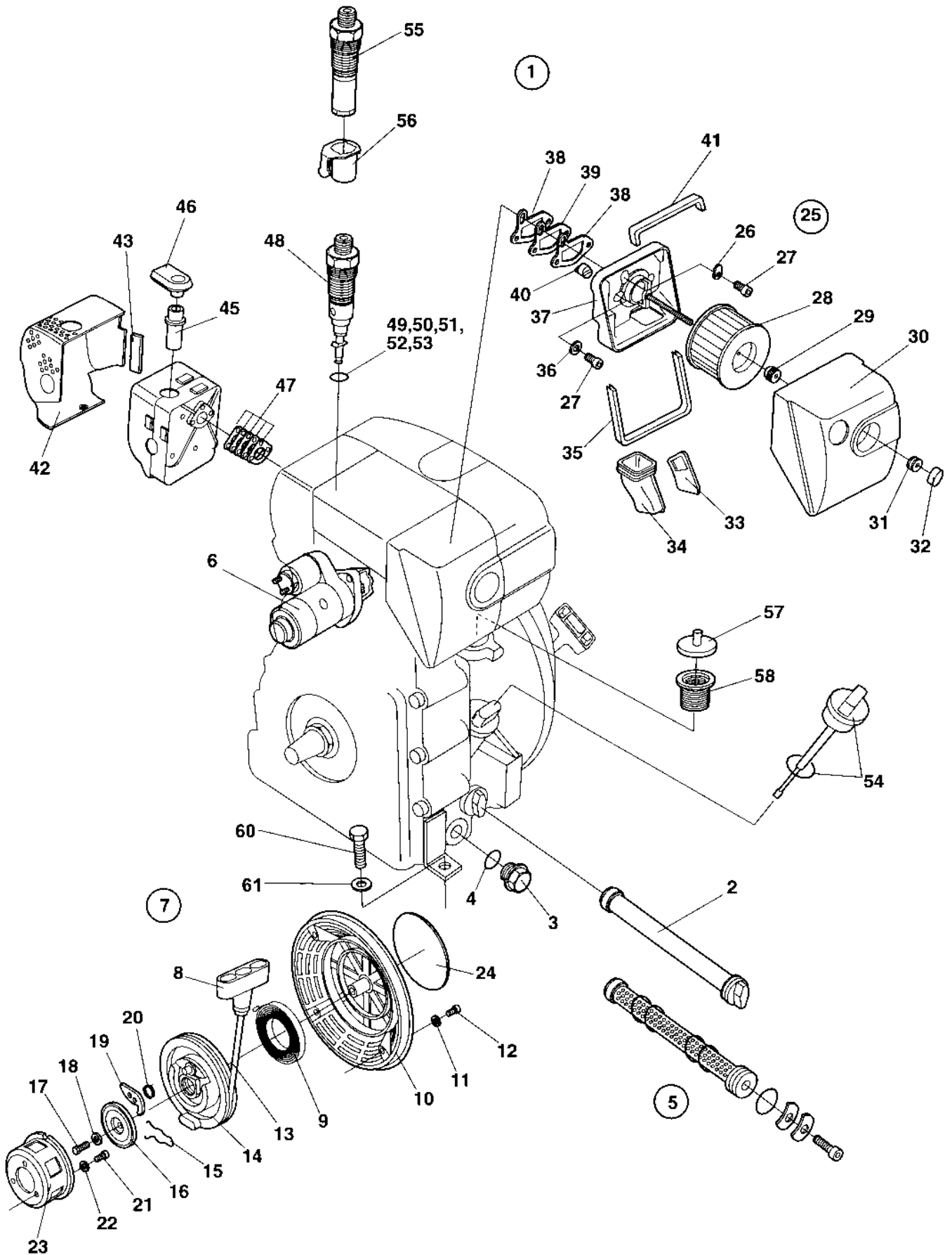




**Engine Hatz 1B20**

Item	Part No	Rem Qty	Description	Code
1	4700391058	1	Engine, cpl	Hatz 1B20
	4700391057	1	Engine, cpl	Hatz 1B20, electrical started
	4700383293	B 1	.Summer	
	4700939588	B 1	.Instrument box, cpl	
	4700938146	B 1	..Ignition switch	
	4700938086	B 1	..Ignition key	
2			Not used on this model	
3	4700937002	1	.Plug	D
4	4700937003	1	.O-ring	B
5	4700937415	1	.Oil strainer, cpl	
6		1	.Starter	
7	4700936982	1	.Recoil starter, cpl	D
8	4700936983	1	..Knob	B
9	4700936985	1	..Spiral spring	B
10	4700936986	1	..Housing	
11	4700936987	4	..Washer	
12	4700936988	4	..Screw	
13	4700936989	1	..Rope	B
14	4700936990	1	..Reel	
15	4700936991	1	..Spring	B
16	4700936992	1	..Friction plate	
17	4700936993	1	..Screw	
18	4700936994	1	..Washer	
19	4700936995	1	..Ratchet	
20	4700936996	1	..O-ring	
21	4700936997	3	.Screw	
22	4700936998	3	.Washer	
23	4700936999	1	.Starter pulley	
24	4700937000	1	.Decal	
		1		
26	4700937011	1	.Washer	
27	4700937012	3	.Screw	
28	4700937013	1	.Filter element	A
29	4700937014	1	.Nut	
30	4700937015	1	.Protecting cover	
31	4700937016	1	.Rubber sleeve	
32	4700937017	1	.Nut	
33	4700937018	1	.Plate	
34	4700937019	1	.Rubber hose	
35	4700937020	1	.Edge trim	
36	4700239517	2	.Washer	
37	4700937021	1	.Air filter house	
38	4700937022	2	.Gasket	
39	4700937023	1	.Gasket	
40	4700937024	1	.Vent nipple	
41	4700937010	1	.Edge trim	
42	4700937007	1	.Protecting cover	
43	4700937008	1	.Edge trim	
44	4700937009	1	.Muffler	
45	4700937005	1	.Exhaust tube	
46	4700937004	1	.Exhaust pipe	
47	4700937006	6	.Gasket	
48	4700936976	1	.Injection pump cpl	D
49	4700936977	1	..O-ring	0,2 mm
50	4700936978	1	..O-ring	0,3 mm
51	4700936979	1	..O-ring	0,4 mm
52	4700936980	1	..O-ring	0,5 mm
53	4700936981	1	..O-ring	0,6 mm

B) For electrical version



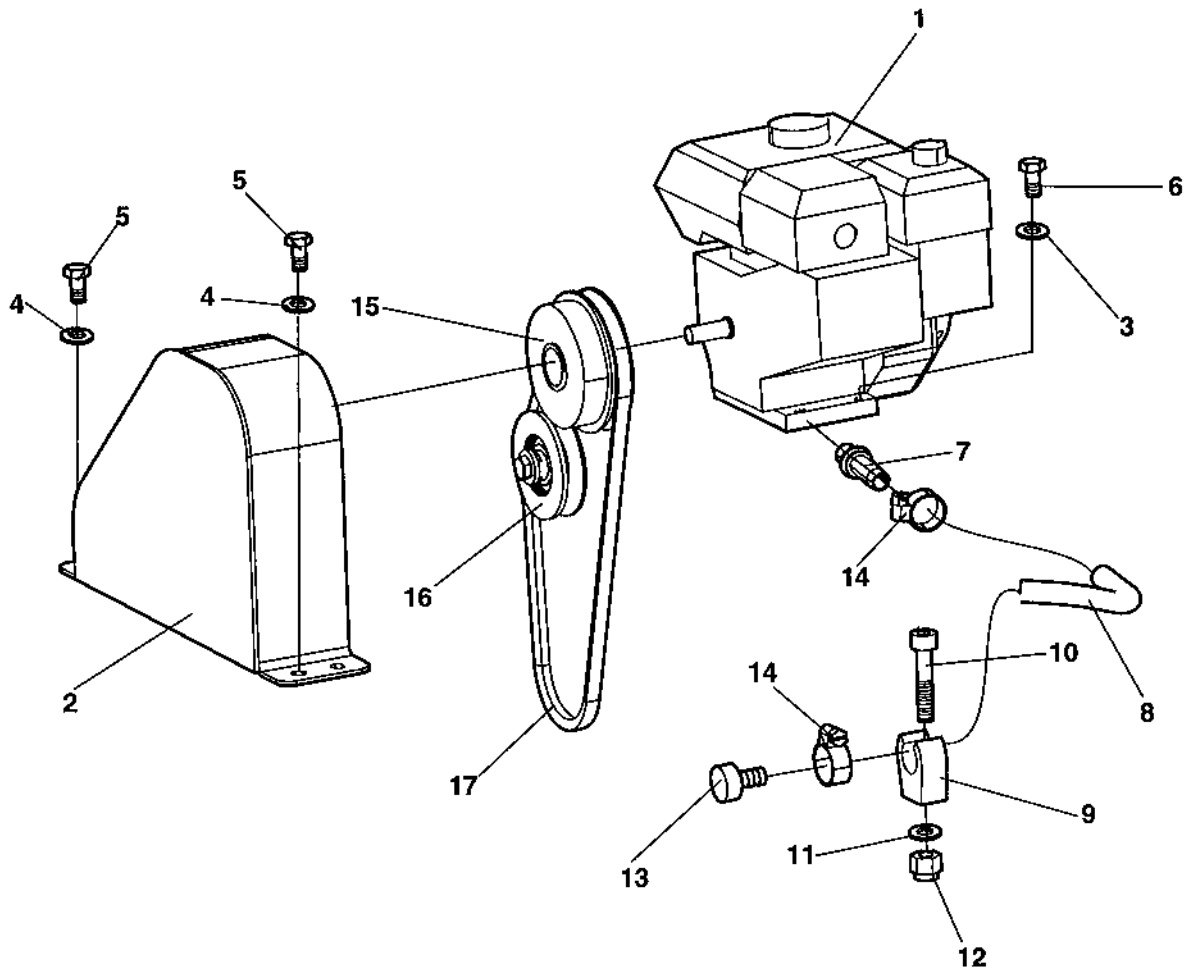
**Engine Hatz 1B20**

<b>Item</b>	<b>Part No</b>	<b>Rem</b>	<b>Qty</b>	<b>Description</b>	<b>Code</b>
54	4700937608		1	.Oil dipstick	
55	4700938968		1	.Nozzle	
56	4700937606		1	.Sleeve	
57	4700937604		1	.Lock	
58	4700937605		1	.Socket	
60		A	4	Screw	
61		A	4	Washer	

A) See section engine installation

Engine installation, Honda

17955



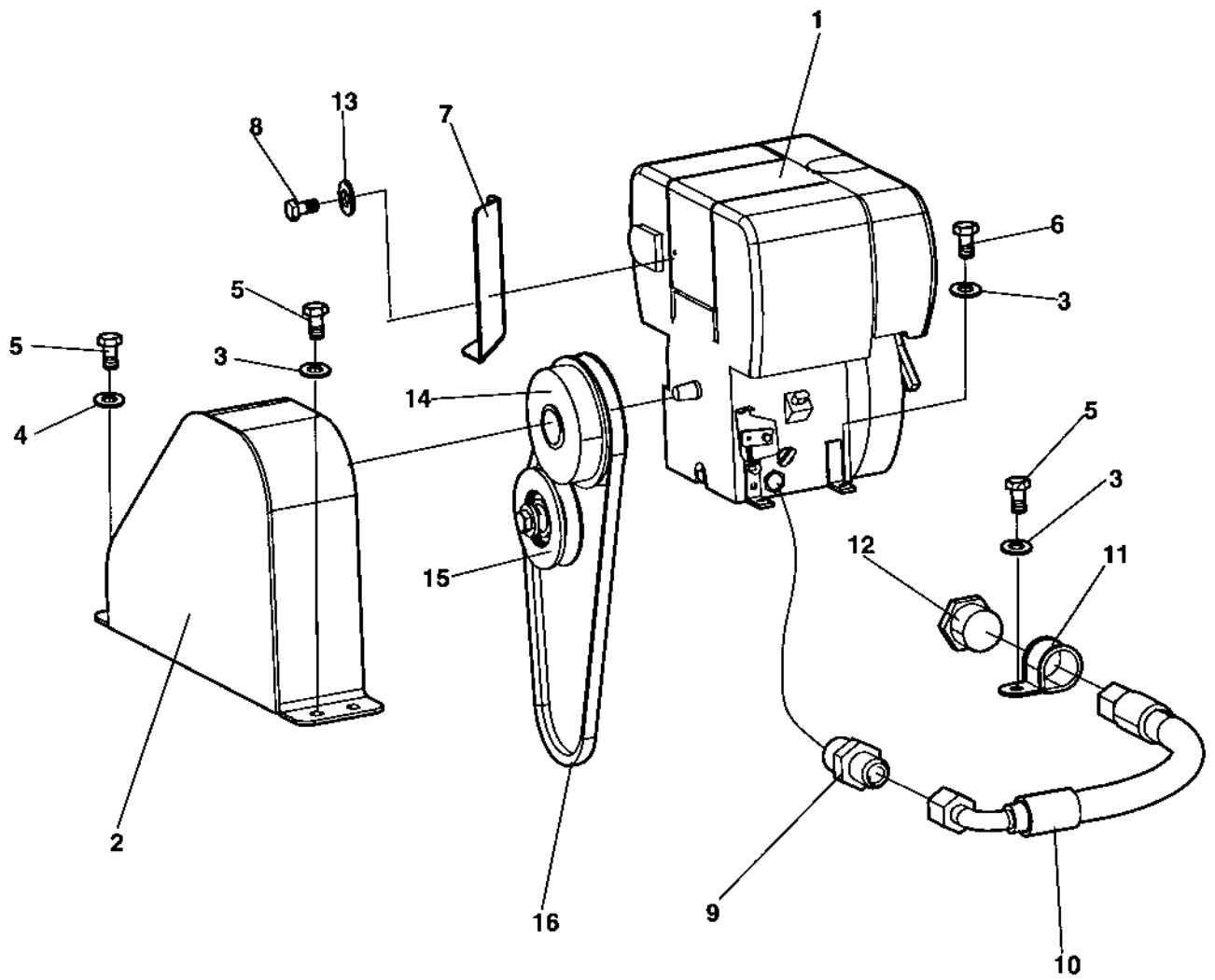
Engine installation, Honda

Item	Part No	Rem Qty	Description	Code
1			Engine Honda GX200 ( Page 22 )	
2	D387301-02	1	V-belt guard	
3	4700904229	4	Washer	8,4x16x1,5
4	4700904640	4	Washer	8,4x22x3
5	4700500019	4	Screw	M8x16H 8.8 A2K
6	4700500047	4	Screw	
7	D100504811	1	Hose connection	
8	D100901382	1	Hose	
9	4700281234	1	Ryw-clips	
10	4700508023	1	Screw	
11	4700904281	1	Washer	5,3x10x1 300HV
12	4700902284	1	Nut	M5
13	D100504609	1	Plug	
14	4700313001	2	Hose clamp	
15		A	Clutch, cpl	
16		A	Idler, cpl	
17		A	V-belt	
		1		

A) See section power transmission

Engine installation, Hatz

17954



Engine installation, Hatz

Item	Part No	Rem	Qty	Description	Code
1				Engine Hatz 1B20 ( Page 24 )	
2	D387301-02		1	V-belt guard	
3	4700904229		5	Washer	8,4x16x1,5
4	4700904640		4	Washer	8,4x22x3
5	4700500019		5	Screw	M8x16H 8.8 A2K
6	4700500021		4	Screw	M8-1,25x25 8.8
7	4700387577		1	Deflector	
8	4700508002		1	Screw	
9	4700903925	B	1	Connector	
10	4700482328	B	1	Hydraulic hose	
11	4700921044	B	1	Clamp	
12	4700232095	B	1	Plug	
13	4700904228		1	Washer	6,4x12x1,5
14		A	1	Clutch	
15		A	1	Idler, cpl	
16		A	1	V-belt	

A) See section power transmission

B) Old version



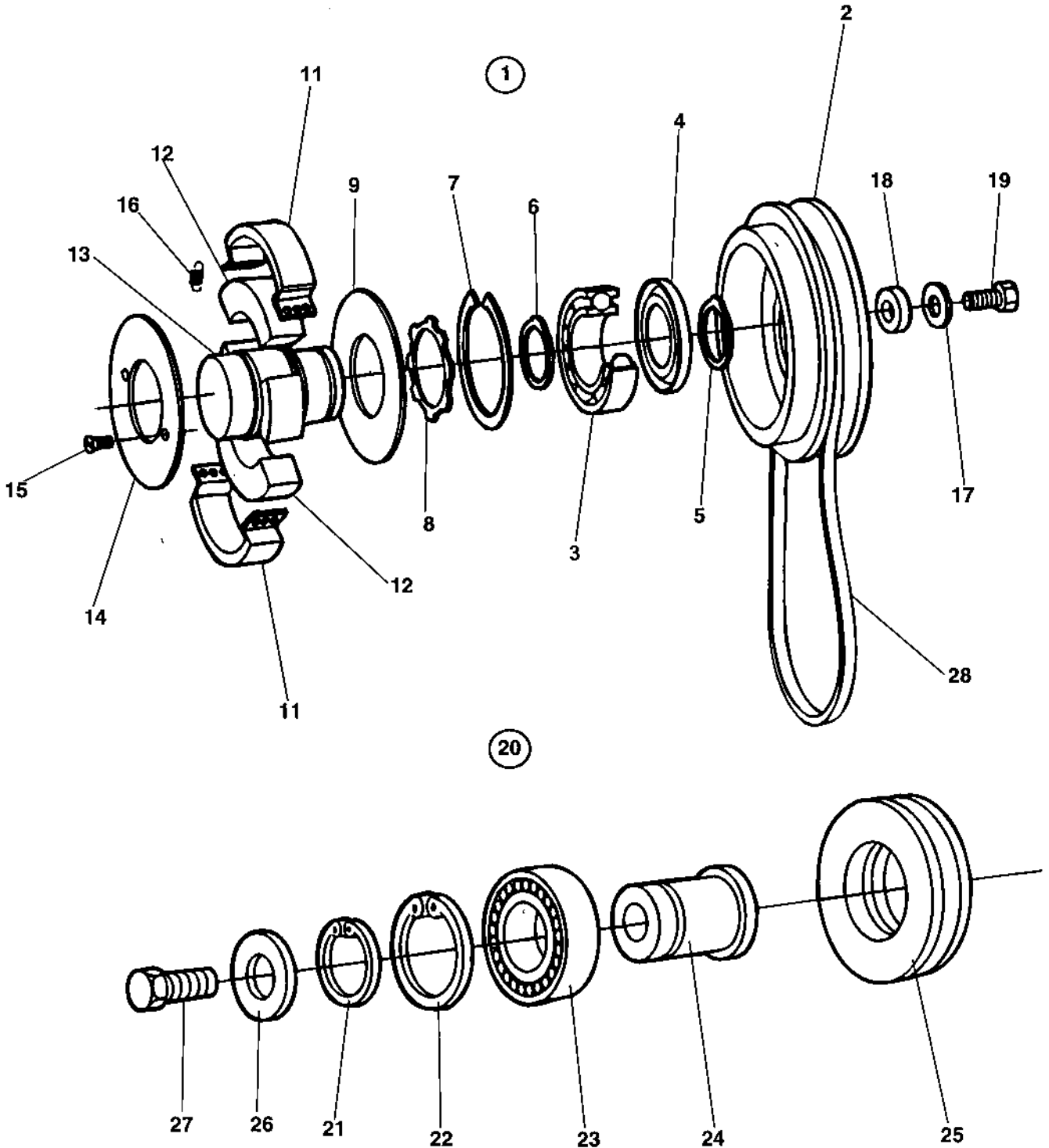


**Power transmission**

Item	Part No	Rem Qty	Description	Code
10			Power transmission, Honda ( Page 34 )	
30			Power transmission, Hatz ( Page 36 )	
		1		

Power transmission, Honda

17953

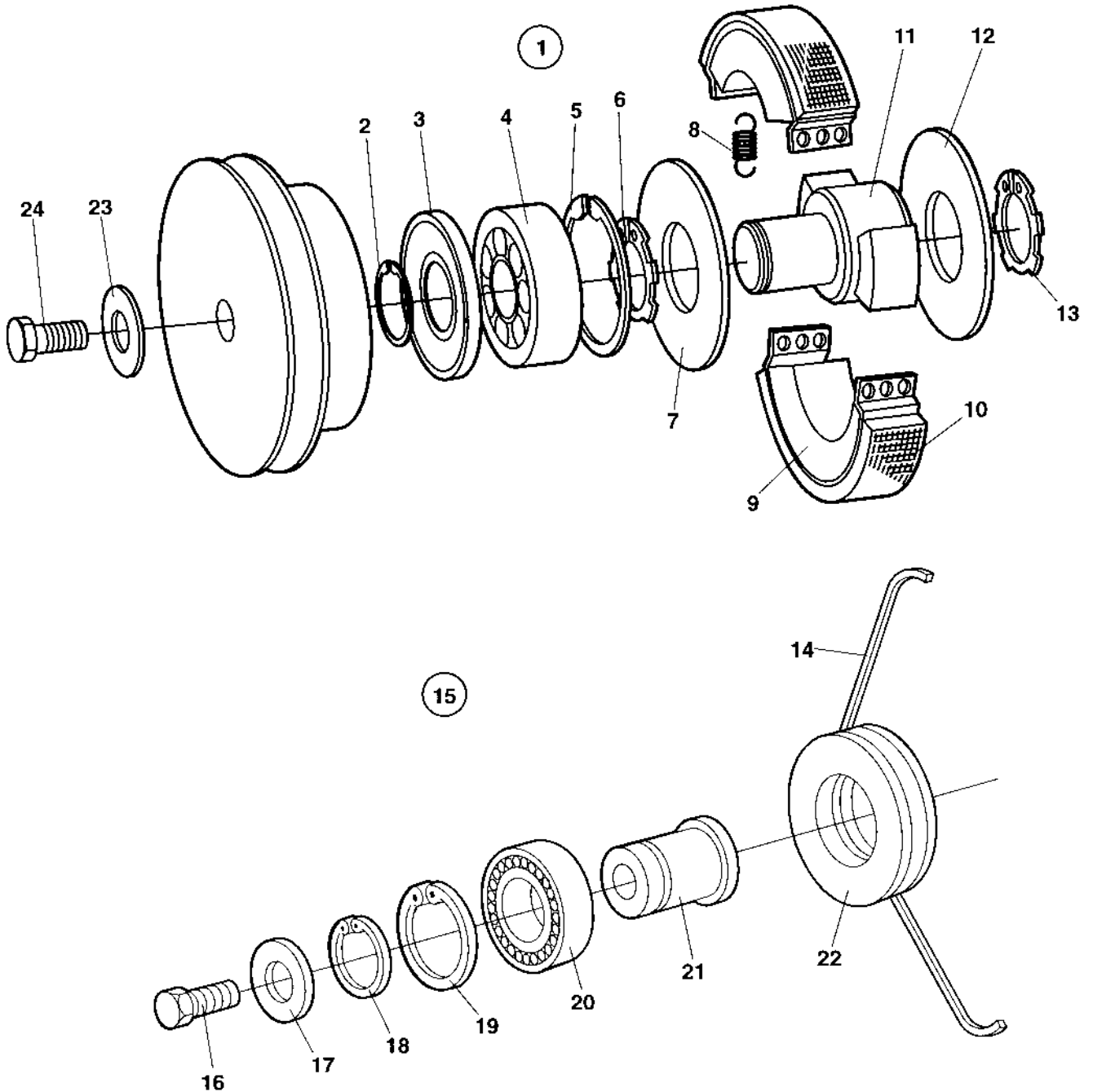


Power transmission, Honda

Item	Part No	Rem Qty	Description	Code
1	4700281124	1	Centrifugal clutch, cpl	D
2	4700935803	1	.Pulley	
3	4700111180	1	.Ball bearing	D
4			Not used on this model	D
5	4700150012	1	.Snap ring	D
6			Not used on this model	D
7	4700151019	1	.Retaining ring	D
8	4700239734	1	.Retaining ring	
9	4700935808	1	.Cover	
10	4700935807	1	.Hub	
11	4700929360	2	.Clutch lining	B
12	4700239290	2	.Weight	D
13	4700935807	1	.Hub	
14	D100901024	1	.Cover	
15	4700535002	2	.Screw	
16	4700929356	2	.Spring	B
17	4700904734	1	Washer	8,4x26x4
18			Not used on this model	
19	4700500021	1	Screw	M8-1,25x25 8.8
20	4700280835	1	Idler, cpl	D
21	4700150009	1	.Snap ring	
22	4700151017	1	.Snap ring	
23	4700111114	1	.Ball bearing	
24	4700280837	1	.Shaft	
25	4700280836	1	.V-belt pulley	D
26	4700904213	1	Washer	
27	4700500046	1	Screw	
28	4700281345	1	V-belt	B

Power transmission, Hatz

16871-1



Power transmission, Hatz

Item	Part No	Rem	Qty	Description	Code
1	4700377620		1	Centrifugal clutch, cpl	
2	4700937036		1	.Retaining ring	
3		A		Not used on this model	
4	4700940371		1	.Ball bearing	D
5	4700937035	B	1	.Retaining ring	
6	4700239734		1	.Retaining ring	
7	4700239768		1	.Cover	
8	4700937527		4	.Spring	
9	4700940372		2	.Centrifugal weight	D
10	4700238606		2	.Clutch lining	B
11	4700940932		1	.Hub	
12	4700239768		1	.Cover	
13	4700239734		1	.Retaining ring	
14	4700281249		1	.V-belt	B
15	4700280835		1	Idler, cpl	D
16	4700500046		1	.Screw	
17	4700904213		1	.Washer	
18	4700150009		1	.Snap ring	
19	4700151017		1	.Snap ring	
20	4700111114		1	.Ball bearing	
21	4700280837		1	.Shaft	
22	4700280836		1	.V-belt pulley	D
23	4700904734		1	.Washer	
24	4700500022		1	.Screw	
			1		

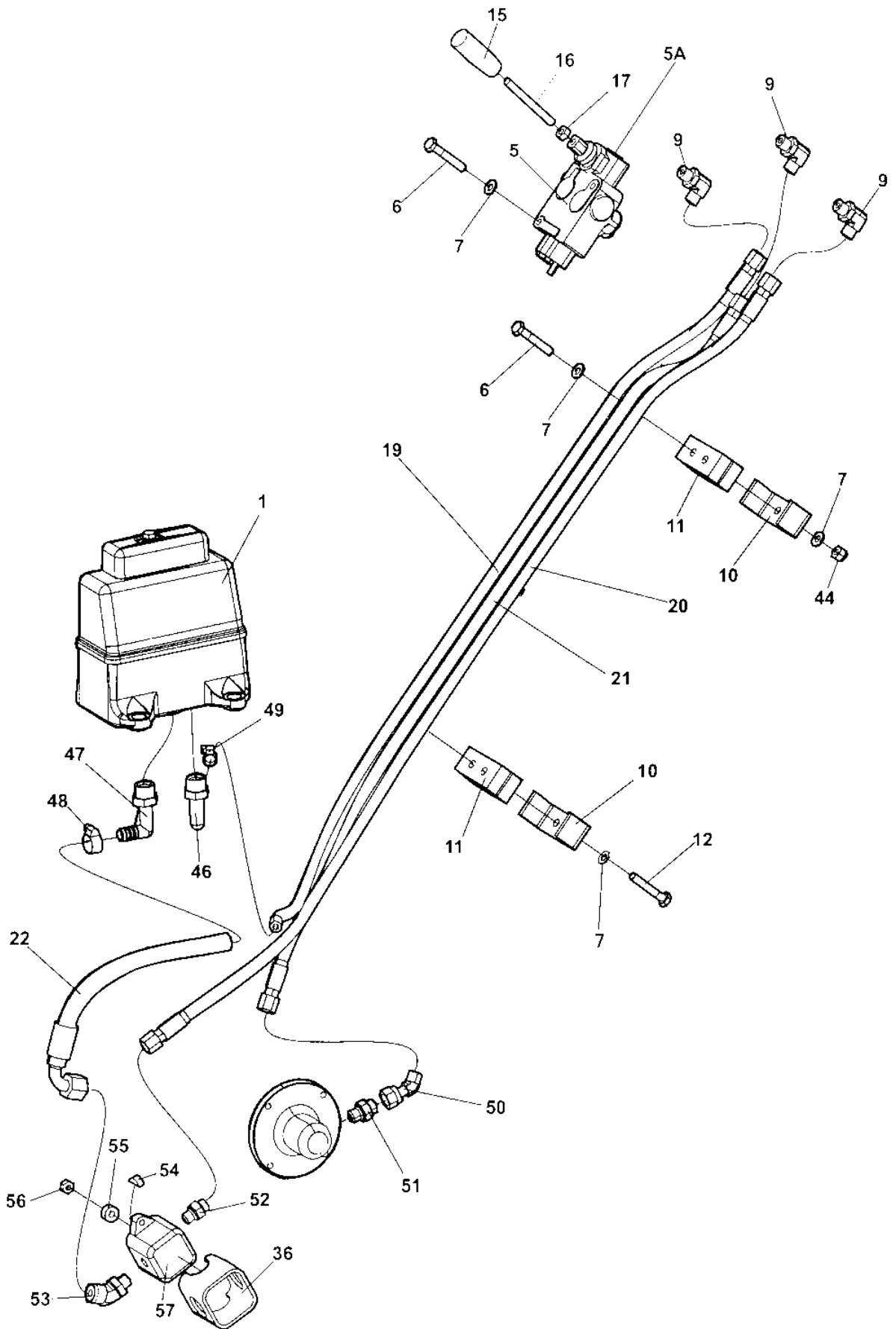
8,4x26x4  
M8x30H 8.8 A2K

- A) Not used on this model, replaced by item 5
- B) Mounted at the other side of the ball bearing, item 4



**Hydraulic system**

Item	Part No	Rem Qty	Description	Code
10			Hydraulic system ( Page 40 )	
20		1	Hydraulic pump installation ( Page 44 )	

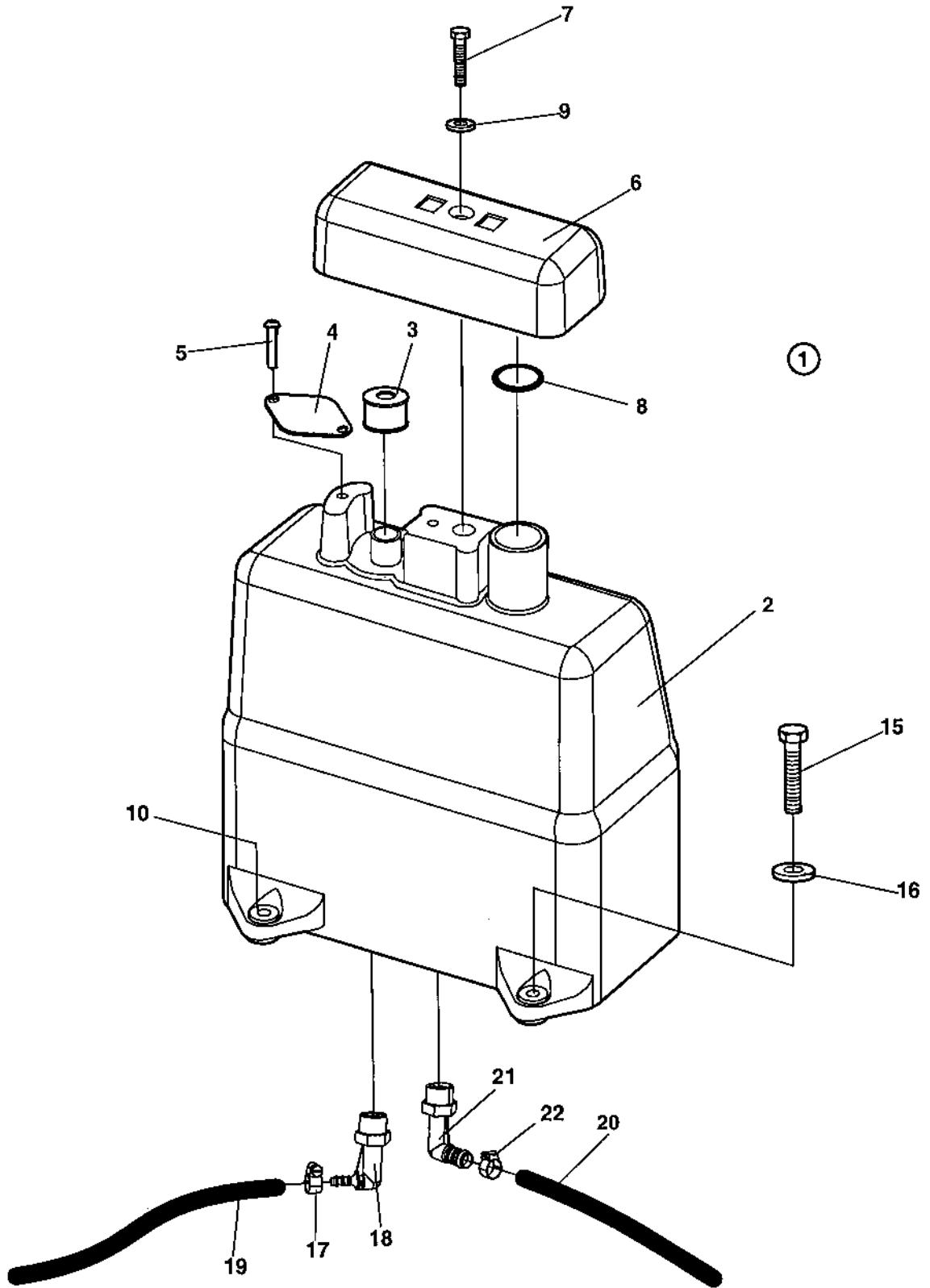




Hydraulic system

Item	Part No	Rem	Qty	Description	Code
1			1	Hydraulic oil tank ( Page 42 )	
3	4700904230		4	Washer	
4	4700500029		4	Screw	
5	4700282993		1	Valve	
	4700937924		1	.Lever housing	
6	4700500079		2	Screw	M6-1x50 8,8
7	4700904228		4	Washer	6,4x12x1,5
9	4700791397		3	Elbow 90, O-ring	
10	D100505023		2	Bracket	
11	4700280534		2	Rubber block	
12	4700500025		4	Screw	M8-1,25x50 8,8
14	4700904229		4	Washer	8,4x16x1,5
15	4700903821		1	Grab handle	
16	D100505042		1	Rod	
17	4700570005		1	Nut	M8
19	4700395372		1	Hydraulic hose	
20	4700483906		1	Hydraulic hose	
21	4700484243		1	Hydraulic hose	
22	4700395373		1	Hydraulic hose	
36	4700280540		1	Cover	
38	4700586002		2	Lock nut	M6 -8
44	4700586003		2	Lock nut	M8
46		A	1	Adapter	
47		A	1	Adapter	
48		A	1	Hose clamp	
49		A	1	Hose clamp	
50	4700791403		1	Elbow 45	
51		B	1	Adapter	
52		C	1	Adapter	
53		C	1	Elbow	
54		C	1	Key	
55		C	1	Sleeve	
56		C	1	Nut	
57		C	1	Hydraulic pump	
			1		

- A) See section hydraulic oil tank
- B) See section eccentric element
- C) See section hydraulic pump installation



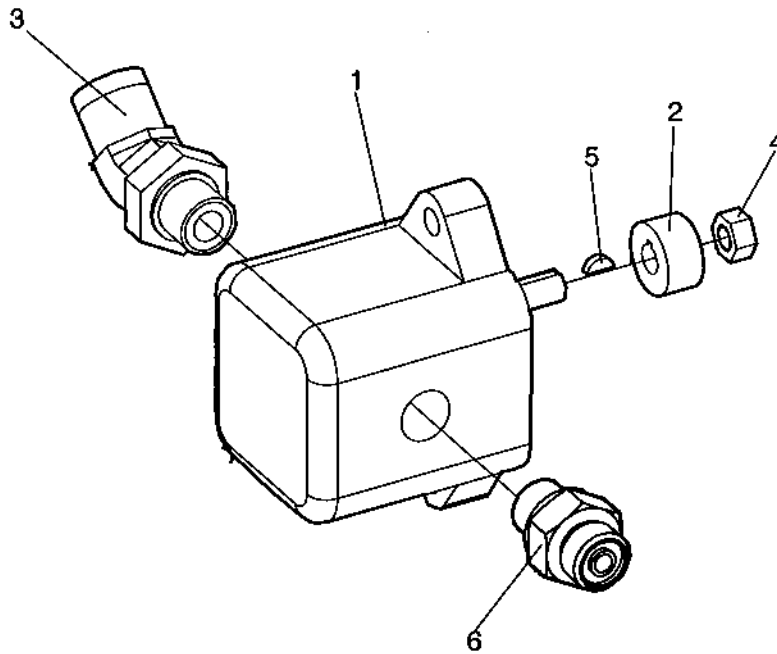
**Hydraulic oil tank**

Item	Part No	Rem	Qty	Description	Code
1	4700376677		1	Hydraulic oil tank, cpl	
2	4700387830		1	.Hydraulic oil tank	
3	4700381566		1	.Air filter	
4	4700381563		1	.Holder	
5	4700904960		2	.Screw	
6	4700381385		1	.Cover	
7	4700500021		1	.Screw	M8-1,25x25 8.8
8	4700160110		1	.O-ring	
9	4700904229		1	.Washer	8,4x16x1,5
10	4700377333		4	.Bushing	
15	4700500029		4	Screw	
16	4700904230		4	Washer	
17	4700313108		1	Hose clamp	
18	4700376674		1	Adapter	
19		A	1	Hydraulic hose	
20		A	1	Hydraulic hose	
21	4700376675		1	Adapter	
22	4700313003		1	Hose clamp	D

A) See section "hydraulic system"

Hydraulic pump installation

18222



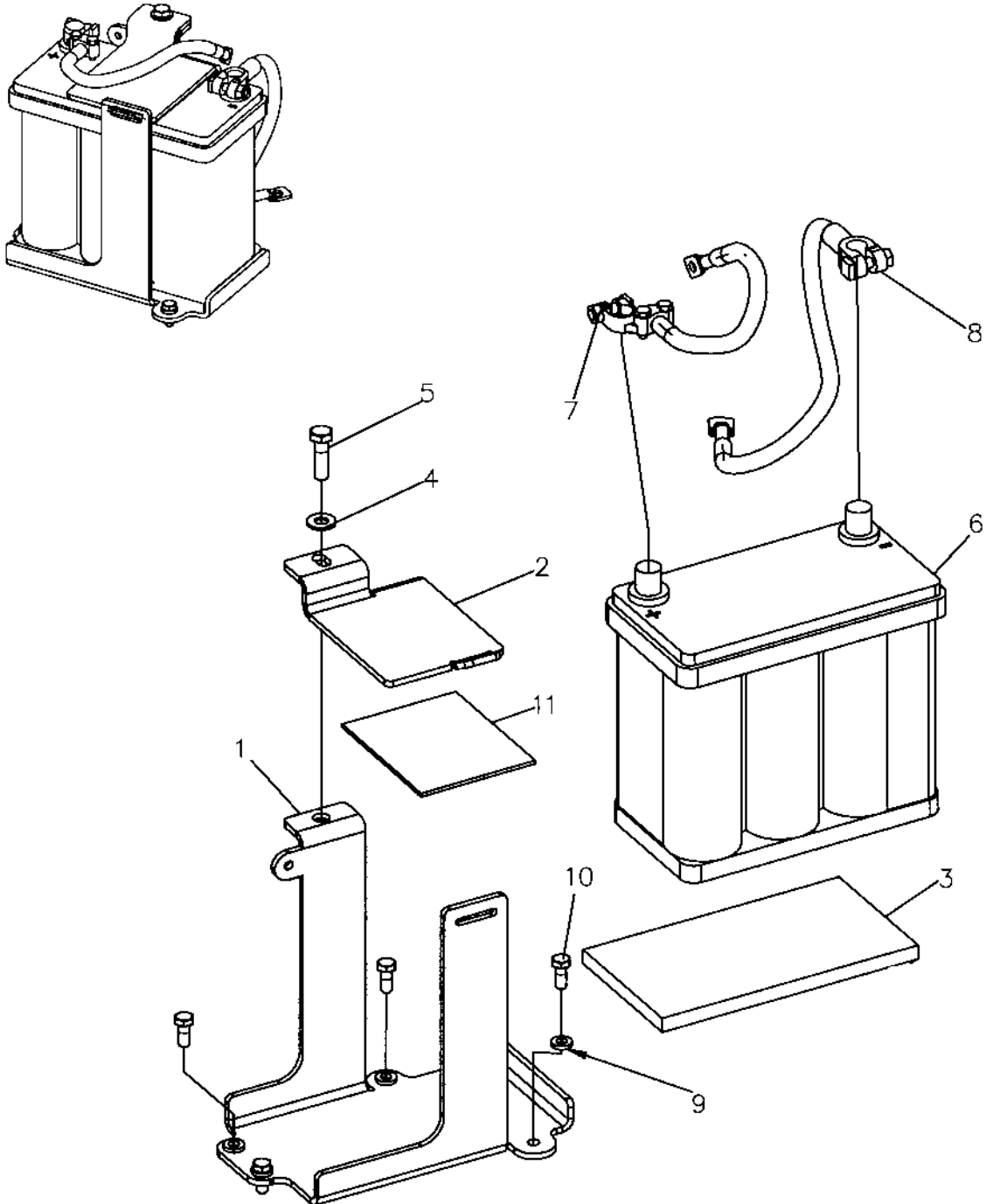
**Hydraulic pump installation**

<b>Item</b>	<b>Part No</b>	<b>Rem Qty</b>	<b>Description</b>	<b>Code</b>
1	4700383562	1	Hydraulic pump	
2	4700928894	1	Sleeve	
3	4700792253	1	Elbow	
4		1	Nut	
5		1	Key	
6	4700791537	1	Straight connector	



**Electrical equipment**

Item	Part No	Rem Qty	Description	Code
30		1	Electrical equipment ( Page 48 )	





**Electrical equipment**

<b>Item</b>	<b>Part No</b>	<b>Rem Qty</b>	<b>Description</b>	<b>Code</b>
1	4700395879	1	Holder	
2	4700395878	1	Bracket	
3	4700395687	1	Insulation	
4	4700904230	1	Washer	
5	4700500030	1	Screw	
6	4700378719	1	Battery	B
7	4700792234	1	Battery cable	+
8	4700792717	1	Battery cable	-
9	4700904556	4	Washer	8,4x16x3,0
10	4700500053	4	Screw	M8x20H 8.8
11	4700395998	1	Rubber cloth	

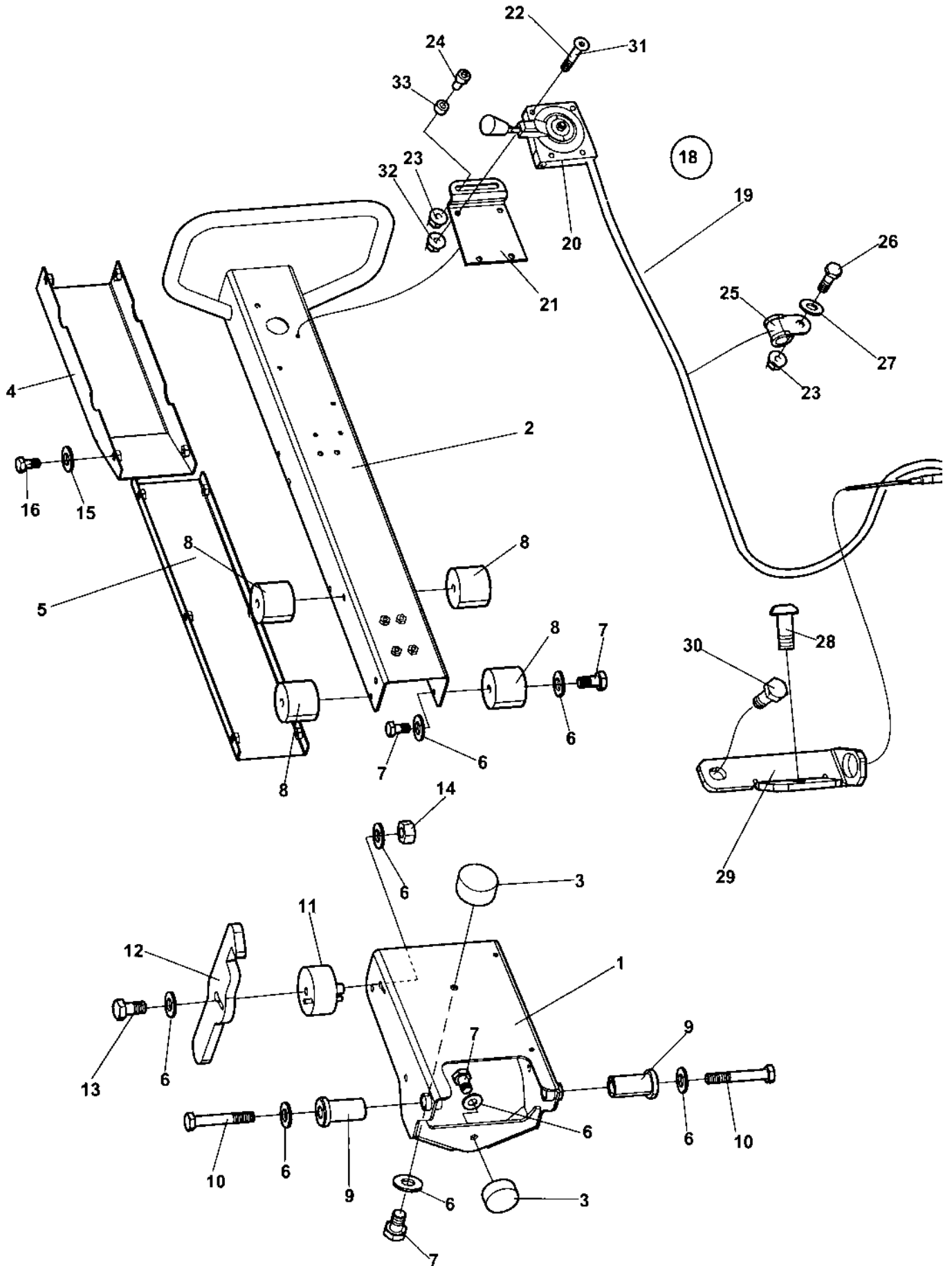


**Handle and throttle control**

<b>Item</b>	<b>Part No</b>	<b>Rem Qty</b>	<b>Description</b>	<b>Code</b>
10		1	Handle and throttle control, Honda ( Page 52 )	
20		1	Handle and throttle control, Hatz ( Page 54 )	
		1		

Handle and throttle control, Honda

17956-2



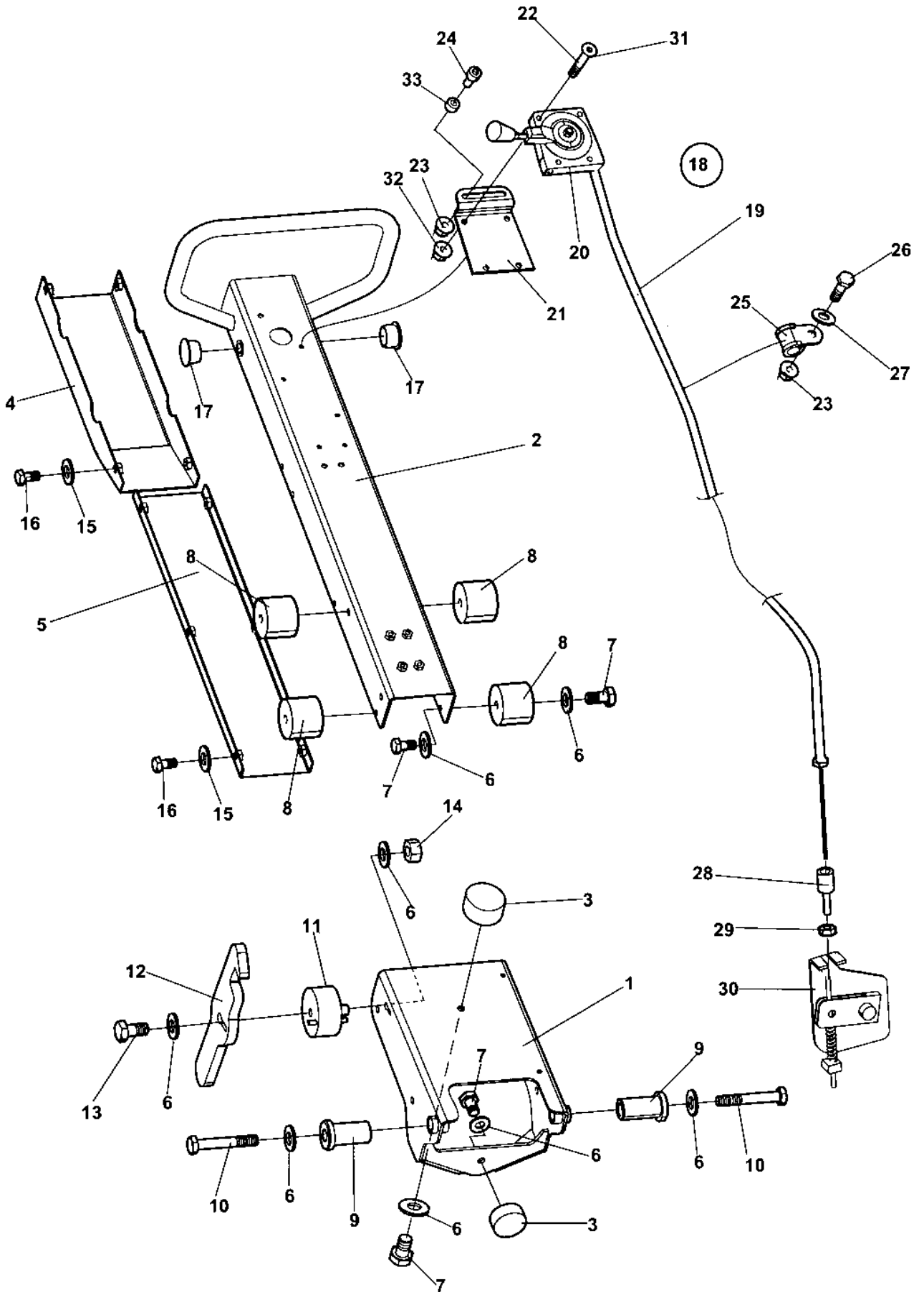
Handle and throttle control, Honda

Item	Part No	Rem	Qty	Description	Code
1	D386988-02		1	Handle bracket	
2	D389982-02		1	Handle	
3	4700791373		2	Shock absorber	
4	D282901-03		1	Cover, upper	
5	D282903-03		1	Cover, lower	
6	4700904230		14	Washer	
7	4700500043		10	Screw	M10x16H 8,8
8	D100900827		4	Shock absorber	
9	D100504729		2	Bushing	
10	4700500109		2	Screw	M10-1,5x65 8,8
11	4700385387		1	Shock absorber	
12	4700382496		1	Hook	
13	4700500048		1	Screw	M10-1,5x20 8,8
14	4700570006		1	Nut	
15	4700904229		10	Washer	8,4x16x1,5
16	4700500019		10	Screw	M8x16H 8.8 A2K
18	4700387987		1	Throttle control	
19	4700387983		1	.Throttle cable	
20	4700455019		1	.Throttle handle	
21	4700284365		1	Bracket	
22	4700924875	B	3	Screw	
23	4700902285		3	Lock nut	M6
24	4700508001	B	1	Screw	M6x12
	4700508025	D	1	Screw	M6x20
25	4700921065		3	Clamp	
26	4700500040		2	Screw	M6-1x20 8,8
27	4700904228		2	Washer	6,4x12x1,5
28	4700903903		1	Screw	
29	4700387958		1	Bracket	
30	4700500013		1	Screw	M6-1x16 8,8
31	4700904747	A	4	Screw	M5X30
32	4700902285	C	3	Lock nut	M6
33	4700394417		1	Spacer	

- A) New version
- B) Old version
- C) Use together with item 22
- D) New version, use together with item 33

Handle and throttle control, Hatz

17957-1



Handle and throttle control, Hatz

Item	Part No	Rem	Qty	Description	Code
1	D386988-02		1	Handle bracket	
2	D389982-02		1	Handle	
3	4700791373		2	Shock absorber	
4	D282901-03		1	Cover, upper	
5	D282903-03		1	Cover, lower	
6	4700904230		14	Washer	
7	4700500043		10	Screw	M10x16H 8,8
8	D100900827		4	Shock absorber	
9	D100504729		2	Bushing	
10	4700500109		2	Screw	M10-1,5x65 8,8
11	4700385387		1	Shock absorber	
12	4700382496		1	Hook	
13	4700500048		1	Screw	M10-1,5x20 8,8
14	4700570006		1	Nut	
15	4700904229		10	Washer	8,4x16x1,5
16	4700500019		10	Screw	M8x16H 8.8 A2K
18	4700380709		1	Throttle control	
19	4700380710		1	Throttle cable	
20	4700455019		1	Throttle handle	
21	4700284365		1	Bracket	
22	4700924875	C	3	Screw	
23	4700902285		3	Lock nut	M6
24	4700508001	C	1	Screw	M6x12
	4700508025	E	1	Screw	M6x20
25	4700921065		3	Clamp	
26	4700500040		3	Screw	M6-1x20 8,8
27	4700904228		3	Washer	6,4x12x1,5
28	4700284107		1	Nipple	
29	4700570004		2	Nut	M6X1,00 -8 A2K
30		A	1	Speed control	
31	4700904747	B	1	Screw	M5X30
32	4700902285	D	3	Lock nut	M6
33	4700394417		1	Spacer	

- A) Supplied with engine
- B) New version
- C) Old version
- D) Use together with item 22
- E) New version, use together with item 33



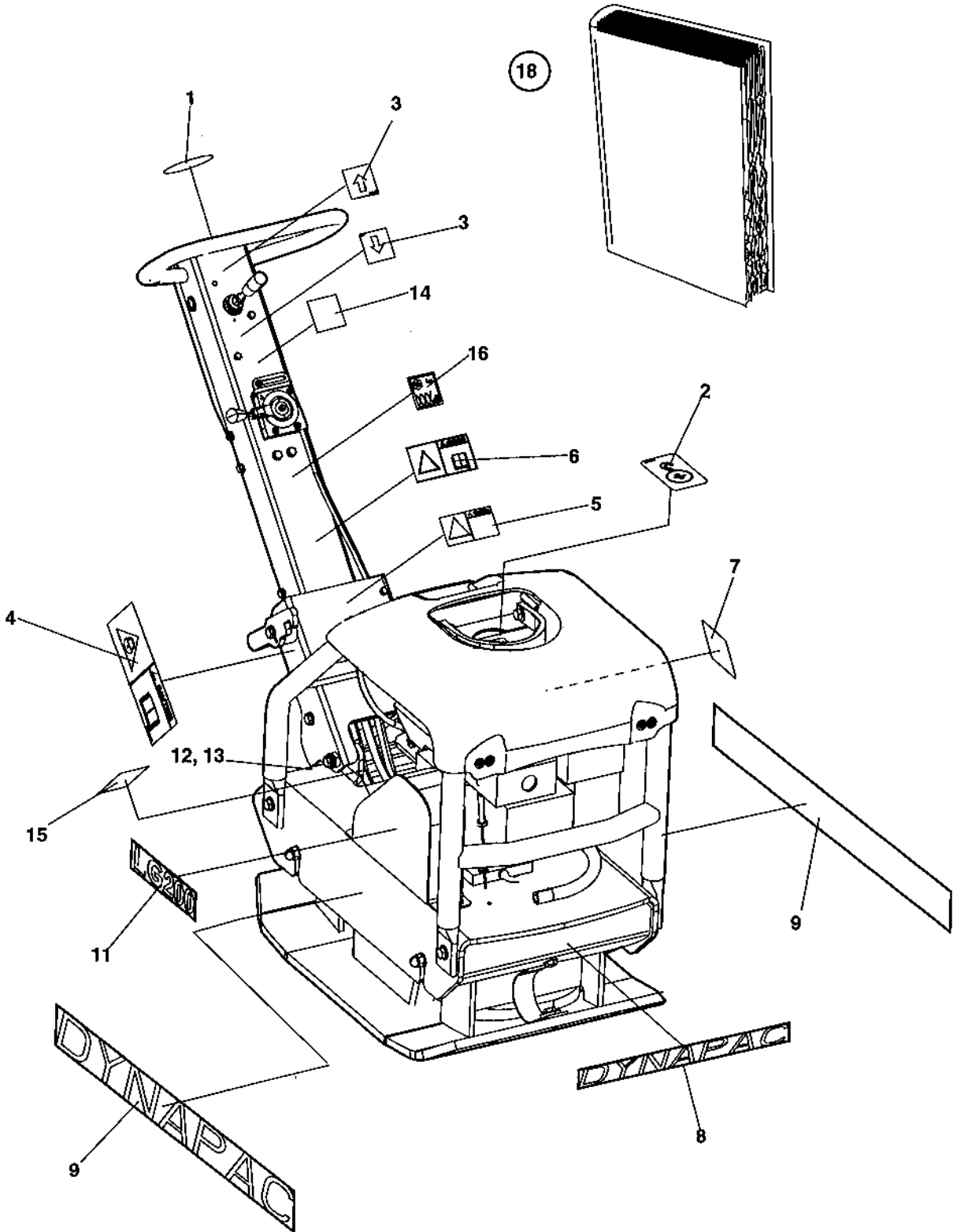


**Decals and documentation**

<b>Item</b>	<b>Part No</b>	<b>Rem Qty</b>	<b>Description</b>	<b>Code</b>
10		1	Decals and documentation ( Page 58 )	

**Decals and documentation**

17959



**Decals and documentation**

Item	Part No	Rem Qty	Description	Code
1	4700281898	1	Decal "Ear protection"	
2	4700281269	1	Decal "LIFT"	
3	4700284278	2	Decal	
4	4700908229	1	Safety decal	
5	4700904785	1	Safety decal	
6	4700904680	1	Decal "Read instruction manual"	
7	4700272373	1	Decal "HYDRAULIC OIL"	
8	4700904097	1	Decal "DYNAPAC"	L=290 mm
9	4700904096	2	Decal "DYNAPAC"	L=420 mm
11	4700281749	1	Decal	LG200
12		1	Sign plate	
13	4700527002	4	Drive screw	
14	4700284285	1	Decal	
15	4700903832	1	Safety decal	
16	4700791293	1	Decal "Sound power level"	105dB
17	4700903424	1	Decal "HOT SURFACE"	
18		1	Documentation	
		1	Spare parts catalogue	SLG200
		1	Instructions	ILG200
		1		



**NUMERICAL INDEX**

Part Number	Page	Part Number	Page	Part Number	Page
4700111114	35,37	4700281124	35	4700395059	17
4700111180	35	4700281234	29	4700395060	17
4700150002	19	4700281249	37	4700395372	41
4700150009	35,37	4700281269	59	4700395373	41
4700150012	35	4700281276	19	4700395687	49
4700150017	17	4700281345	35	4700395878	49
4700151007	17	4700281749	59	4700395879	49
4700151017	35,37	4700281887	11	4700395998	49
4700151019	35	4700281893	11	4700455019	53,55
4700151039	19	4700281898	59	4700482328	31
4700160110	43	4700282993	41	4700483906	41
4700162011	17	4700284107	55	4700484243	41
4700232095	31	4700284278	59	4700500013	53
4700232143	17	4700284285	59	4700500019	29,31,53,55
4700238301	23	4700284365	53,55	4700500021	31,35,43
4700238303	23	4700286380	17	4700500022	9,37
4700238309	23	4700313001	29	4700500025	41
4700238606	37	4700313003	43	4700500028	9
4700239063	23	4700313108	43	4700500029	41,43
4700239064	23	4700350029	9	4700500030	49
4700239065	23	4700376674	43	4700500037	7
4700239067	23	4700376675	43	4700500040	7,17,53,55
4700239290	35	4700376677	43	4700500043	53,55
4700239321	23	4700377333	43	4700500046	35,37
4700239324	23	4700377359	19	4700500047	29
4700239374	23	4700377620	37	4700500048	53,55
4700239375	23	4700378719	49	4700500049	7
4700239376	23	4700378777	17	4700500051	7,13
4700239377	23	4700379016	17	4700500053	9,49
4700239378	23	4700379165	17	4700500056	11
4700239379	23	4700379166	17	4700500079	41
4700239380	23	4700379167	17	4700500109	53,55
4700239381	23	4700379168	17	4700508001	53,55
4700239391	23	4700379175	17	4700508002	31
4700239517	25	4700380155	17	4700508023	29
4700239565	23	4700380709	55	4700508025	17,53,55
4700239682	23	4700380710	55	4700508028	7,9
4700239734	35,37	4700381385	43	4700527002	59
4700239768	37	4700381563	43	4700535002	35
4700239889	23	4700381566	43	4700570004	55
4700239890	23	4700382496	53,55	4700570005	13,41
4700271032	11,13	4700383293	25	4700570006	53,55
4700272373	59	4700383562	45	4700570007	7,11
4700280417	13	4700383598	11,13	4700573002	23
4700280534	41	4700385387	53,55	4700581013	7
4700280540	41	4700387257	7	4700586002	41
4700280621	7	4700387259	7	4700586003	41
4700280637	19	4700387260	7	4700586019	7
4700280643	9	4700387261	7	4700630010	11
4700280644	17	4700387577	31	4700630015	13
4700280645	17	4700387705	7	4700747541	7,9
4700280647	19	4700387830	43	4700791293	59
4700280648	17	4700387958	53	4700791373	53,55
4700280654	9	4700387979	23	4700791397	41
4700280669	17	4700387983	53	4700791403	41
4700280677	17	4700387987	53	4700791524	7
4700280750	7	4700389243	11	4700791537	17,45
4700280835	35,37	4700391057	25	4700791614	13
4700280836	35,37	4700391058	25	4700792234	49
4700280837	35,37	4700394417	53,55	4700792253	45
4700280858	9	4700394933	13	4700792254	17
4700280871	9	4700394985	13	4700792717	49

**NUMERICAL INDEX**

Part Number	Page	Part Number	Page	Part Number	Page
4700792723	17	4700936989	25	D284237-03	7
4700792724	17	4700936990	25	D386986-01	7
4700902284	29	4700936991	25	D386988-02	53,55
4700902285	7,53,55	4700936992	25	D387113-03	7
4700903363	17	4700936993	25	D387301-02	29,31
4700903424	59	4700936994	25	D389982-02	53,55
4700903821	41	4700936995	25		
4700903832	59	4700936996	25		
4700903903	53	4700936997	25		
4700903925	31	4700936998	25		
4700904096	59	4700936999	25		
4700904097	59	4700937000	25		
4700904213	35,37	4700937002	25		
4700904228	7,17,31,41,53,55	4700937003	25		
4700904229	9,29,31,41,43,53	4700937004	25		
	55	4700937005	25		
4700904230	41,43,49,53,55	4700937006	25		
4700904231	7,11	4700937007	25		
4700904281	29	4700937008	25		
4700904556	49	4700937009	25		
4700904638	17	4700937010	25		
4700904640	13,29,31	4700937011	25		
4700904655	7	4700937012	25		
4700904680	59	4700937013	25		
4700904703	9	4700937014	25		
4700904734	35,37	4700937015	25		
4700904742	7	4700937016	25		
4700904747	53,55	4700937017	25		
4700904785	59	4700937018	25		
4700904798	7	4700937019	25		
4700904960	43	4700937020	25		
4700908229	59	4700937021	25		
4700921044	31	4700937022	25		
4700921065	53,55	4700937023	25		
4700924543	7,13	4700937024	25		
4700924875	53,55	4700937035	37		
4700928241	17	4700937036	37		
4700928794	17	4700937415	25		
4700928795	9	4700937527	37		
4700928894	45	4700937604	27		
4700929286	19	4700937605	27		
4700929287	17	4700937606	27		
4700929291	19	4700937608	25		
4700929356	35	4700937924	41		
4700929360	35	4700938086	25		
4700929454	9	4700938146	25		
4700935802	23	4700938968	27		
4700935803	35	4700939588	25		
4700935807	35	4700940371	37		
4700935808	35	4700940372	37		
4700936976	25	4700940932	37		
4700936977	25	D100504609	29		
4700936978	25	D100504729	53,55		
4700936979	25	D100504811	29		
4700936980	25	D100505023	41		
4700936981	25	D100505036	7		
4700936982	25	D100505042	41		
4700936983	25	D100900827	53,55		
4700936985	25	D100901024	35		
4700936986	25	D100901382	29		
4700936987	25	D282901-03	53,55		
4700936988	25	D282903-03	53,55		