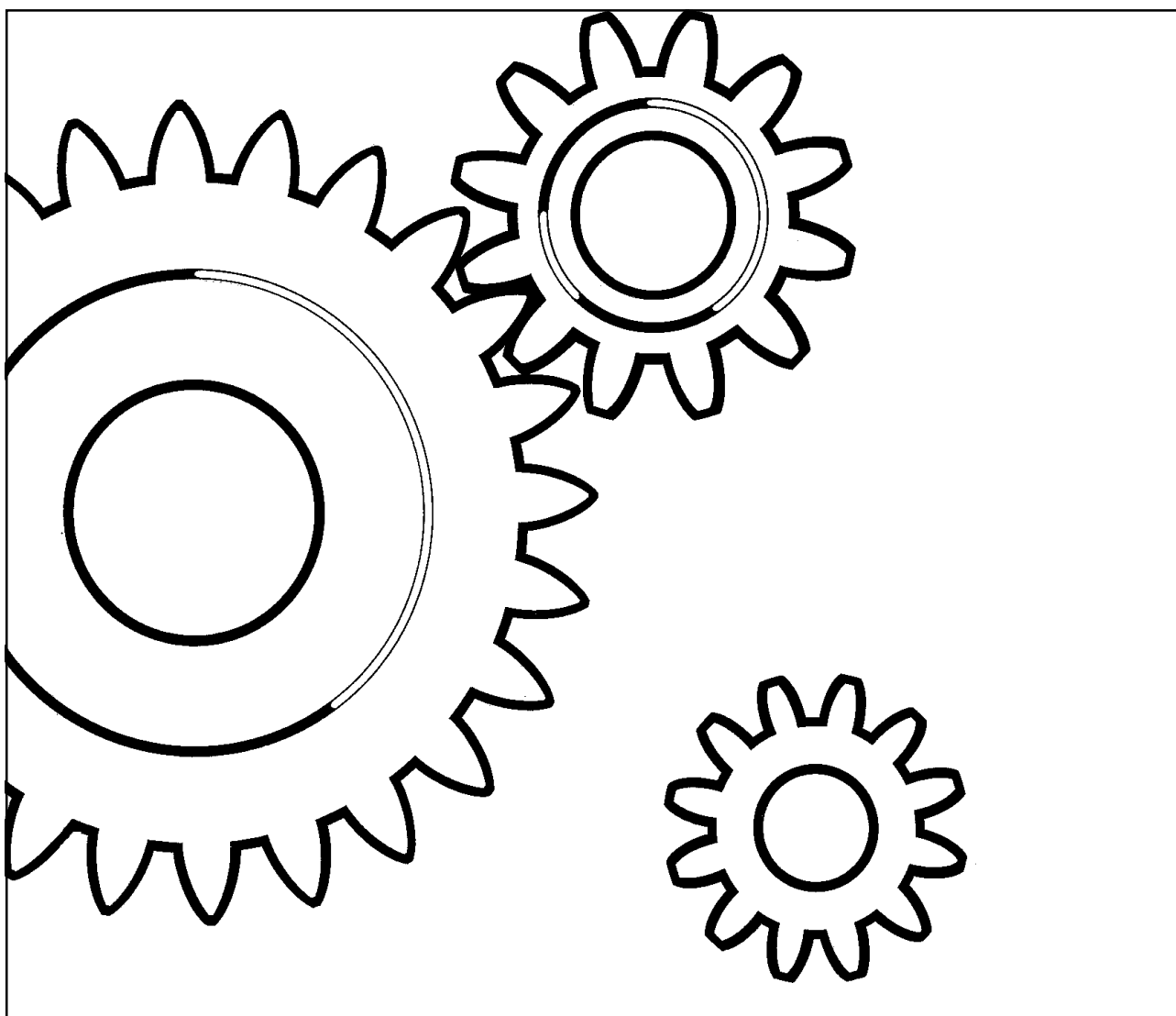


DYNAPAC
LG160
SPARE PARTS
CATALOGUE
SLG160-3EN3



DYNAPAC

Part of the Atlas Copco Group

Atlas Copco Construction Tools AB

SE-105 23 Stockholm, Sweden

Forward and Reverse Plate Compactor LG160 Spare Parts Catalogue

SLG160-3EN3

Valid from serial number:

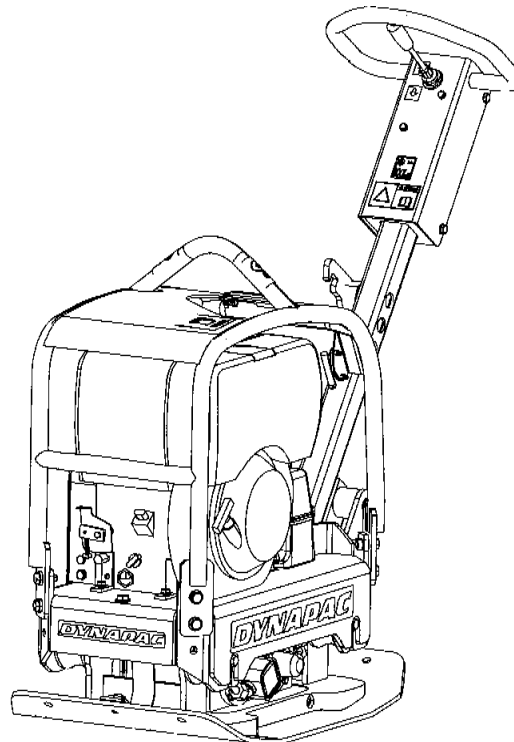
16000001-

Engines:

*Hatz 1B20
Honda GX160*

Published catalogue issues valid for these plate:

<i>Catalogue</i>	<i>Issue date</i>	
<i>SLG160-3EN1</i>	<i>2006 - 11</i>	<i>Replaced by SLG160-3EN2</i>
<i>SLG160-3EN2</i>	<i>2008 - 01</i>	<i>Replaced by SLG160-3EN3</i>
<i>SLG160-3EN3</i>	<i>2009 - 04</i>	



RESERVDELSBESTÄLLNING

Följande uppgifter ska lämnas vid beställning av reservdelar för att undvika leveransfel:

1. Maskintyp.
2. Vältens serienummer.
3. Antal av önskad reservdel.
4. Reserdelens artikelnummer.
5. Reservdelens benämning.
6. Måttuppgifter vid beställning av metervara.

ERSATZTEILBESTELLUNG

Zur Vermeidung von Fehllieferungen sind bei der Bestellung von Ersatzteilen folgende Angaben zu machen:

1. Maschinentyp.
2. Herstellungsnummer.
3. Bestellmenge. (Quantity)
4. Ersatzteilnummer. (Part N^o)
5. Ersatzteilbenennung. (Denomination)
6. Massangaben bei Bestellung von Meterware.

PEDIDO DE RECAMBIOS

Para evitar errores en las entregas, deberán indicarse los siguientes datos al hacer un pedido de recambios:

1. Tipo de máquina.
2. Número de serie.
3. Cantidad de piezas deseadas. (Quantity)
4. Número de artículo de la pieza de recambio. (Part N^o)
5. Denominación de la pieza. (Denomination)
6. Indíquese la medida al solicitar un artículo que se expide por metros.

ORDERING SPARE PARTS

To avoid errors in delivery, please give the following information when ordering spare parts:

1. Type of machine.
2. Roller serial number.
3. Quantity required.
4. Part number.
5. Parts denomination.
6. Dimensions when ordering per length.

ORDINI DI RICAMBI

Per evitare errori nelle consegne di ricambi, Vi preghiamo di comunicarci le seguenti informazioni al momento dell'ordinazione:

1. Tipo di macchina.
2. Numero di serie della macchina.
3. Quantità dei pezzi desiderati. (Quantity)
4. Numero di codice del pezzo. (Part N^o)
5. Descrizione del pezzo di ricambio. (Denomination)
6. Misura, in caso di ordine per metro.

COMMANDE DE PIÈCES DE RECHANGE

Les indications suivantes doivent être fournies lors de la commande de pièces de rechange, afin d'éviter toute erreur de livraison:

1. Type de machine.
2. Numéro de série.
3. Quantité désirée de pièce de rechange. (Quantity)
4. Numéro de la pièce de rechange. (Part N^o)
5. Dénomination de la pièce de rechange. (Denomination)
6. Longueur en cas de commande au mètre.

YOUR AGENT/DEALER:

DYNAPAC

Text pages

The text pages is structured as the picture on the right.

1. This is the remarks for specific items and the descriptions of the remarks is at the bottom of the parts list.

2. Parts indicated by a dot and moved to the right are included when buying the assembled unit above.

3. Spare parts and service code for a specific part, mainly for internal use at Dynapac. "A" = Service part, "B" = Fast moving part, "C" = Suggested exchanged part and "D" = Regular spare part.

DYNAPAC						
Cooling system						
Ref. No.	Part No.	Rem.	Qty	Description	Code	
1	223047		1	Water cooler		③ C
2	935852		1	Radiator cap		D
3	935851	①	1	Cock	②	
4	373263	A	1	Radiator hose		D
5	313009		6	Clamp		
6	205058	B	1XL	Rubber clutch		
7	373261	C	1	Radiator hose		D
8			1	Oil cooler		D
9	223289		1	Plate		
10	902166	D	1XL	Edge trim		
11	223287	E	1	Holder		
12	223288	F	1	Holder		
13	908168		1	Fan guard		
14	908170		1	Fan shroud		
15	908171		2	Mounting bar		
16	908169		1	Fan guard		
17	500021		14	Screw		
18	902286		14	Nut		
19	600006		14	Washer		
20	313102		2	Cable strap		

A) Upper
 B) L=060MM
 C) Lower
 D) L=2280MM
 E) Left
 F) Right

Changes

PARTS INFO	SERVICE INFO	GROUP	PAGE	NOTES

Notes

PÄRMETIKETT

För att undvika fel vid reservdelsbeställning finns här nedan två etiketter som passar i fickorna på pärmarnas ryggar. På dessa kan man se från vilket vältnummer av aktuell maskin reservdelskatalogen gäller. Gör så här:

1. Tag denna sida ur pärmen.
2. Klipp ut etiketten till **VÄNSTER** (1) och sätt in den i fickan på **DENNA** pärmens rygg.
3. Finns det en etikett till **HÖGER** (2), kan denna användas på pärmen för **FÖREGÅENDE** utgåva av denna katalog.
4. Kasta detta papper.

KATALOG-BESCHRIFTUNG

Zur Vermeidung von Fehlern bei der Ersatzteilbestellung benutzen Sie bitte die unteren Beschriftungen, um die Kataloge auf der Rückseite zu kennzeichnen. Auf der Beschriftung ist angegeben, für welche Maschinennummern der jeweilige Katalog gültig ist. Ablauf:

1. Nehmen Sie dieses Blatt aus dem Katalog.
2. Schneiden Sie die **LINKE** Beschriftung (1) aus. Schieben Sie die Beschriftung in die tasche auf **DEM** Katalogrücke.
3. Sollte die Beschriftung unten **RECHTS** (2) mitgeliefert werden, kennzeichnen Sie damit bitte die **ÄLTERE** Ausführung dieses Kataloges.
4. Den Rest dieses Blattes bitte vernichten.

ETIQUETA PARA LA CARPETA

Para evitar errores al pedir repuestos utilicen las etiquetas abajo descritas para identificar los catálogos en la parte trasera de la carpeta. En la etiqueta se ven los números de referencia de la serie para la cual es válido el catálogo. Instrucciones:

1. Quitar esta página de la carpeta.
2. Corta la etiqueta **IZQUIERDA** (1) y ponerla en **ESTA** carpeta en la parte trasera.
3. Si hay una etiqueta en la parte **DERECHA** (2) se puede utilizar en la carpeta para el catálogo que **PRECEDE** a esta.
4. Tirar esta hoja.

BINDER LABEL

To avoid errors when ordering spare parts use the labels below to identify the catalogues on the back of the binder. The label contain the serial number range for which the catalogue is valid. Do like this:

1. Remove this page from the binder.
2. Cut out the **LEFT** label (1) and put it on **THIS** binders back.
3. If there is a label to the **RIGHT** (2), it can be used on the binder for **PRECEDING** issue of this catalogue.
4. Throw away this paper.

ETICHETTAPOSTASULRACCOGLITORE

Per evitare errori quando ordinate pezzi di ricambio, usate le etichette in calce che servono ad identificare i cataloghi sul retro del raccoglitore. L'etichetta indica il numero di matricola delle macchine prese in considerazione nel catalogo.

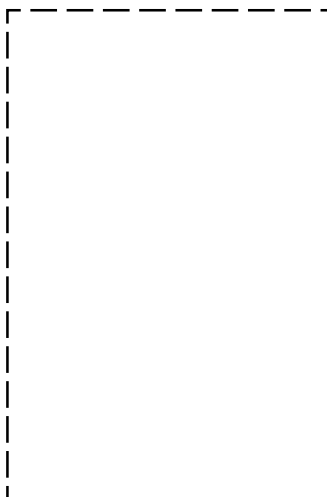
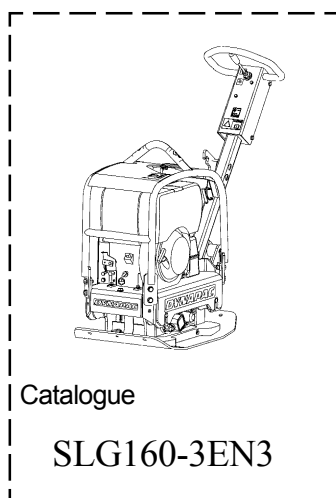
1. Rimuovete questa pagina dal raccoglitore.
2. Ritagliate l'etichetta posta a **SINISTRA** (1) e ponetela sul retro **DEL** raccoglitore.
3. Se trovate anche un'etichetta sulla **DESTRA** (2), ritagliatela e ponetela sul raccoglitore relativo alla **PRECEDENTE** edizione del catalogo.
4. Distruggete questo foglio.

ETIQUETAGE DU CATALOGUE

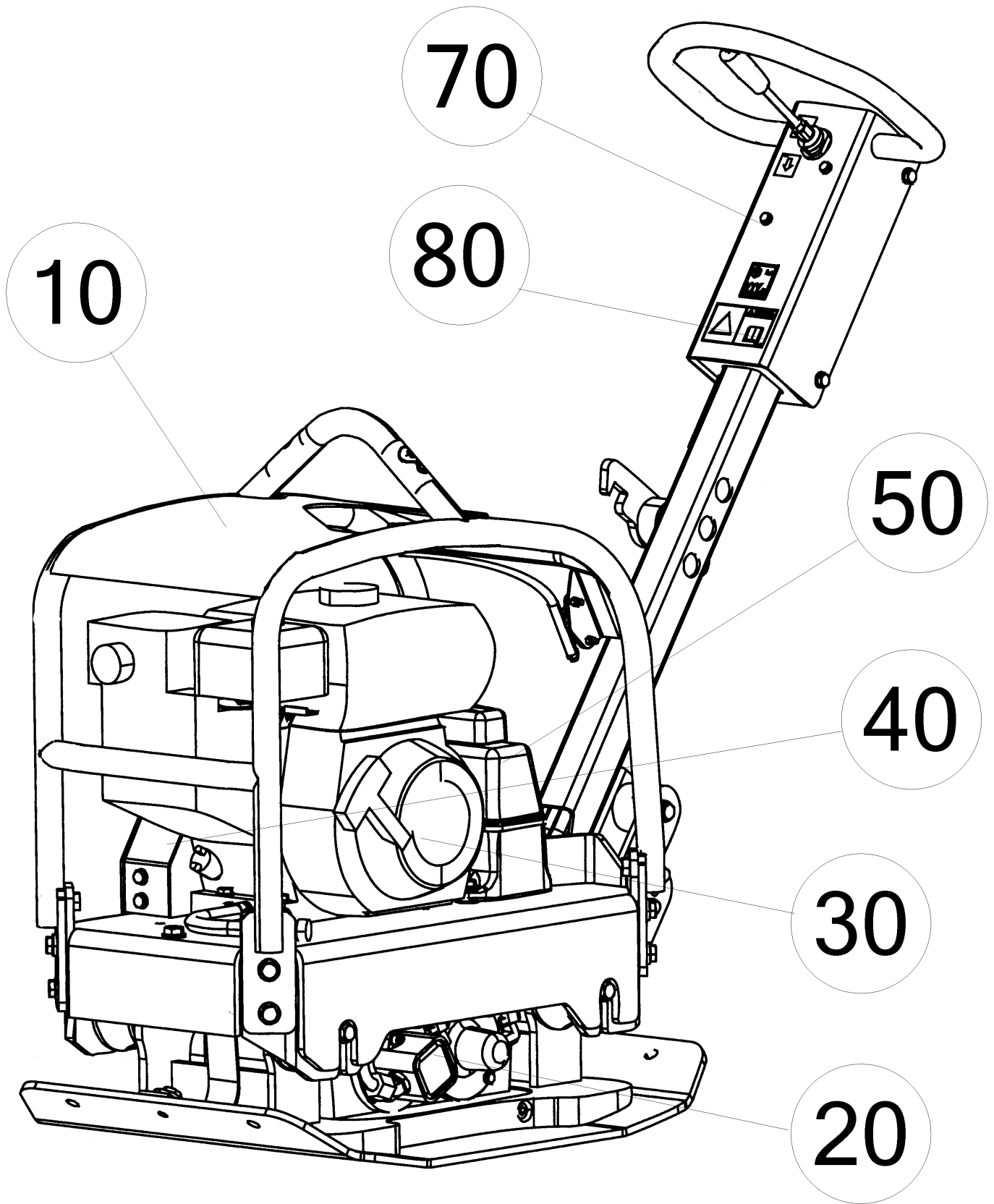
Afin d'éviter des erreurs lors de commandes de pièces de rechange, nous vous conseillons d'apposer les marquages ci-dessous à l'arrière du classeur, pour identifier les catalogues. Ce marquage indique les numéros de série pour lesquels le catalogue est adapté. Il convient de procéder de la façon suivante:

1. Retirez cette page du classeur.
2. Découpez l'étiquette de **GAUCHE** (1), et apposez-la à l'arrière de **CE** catalogue.
3. Si il y a une étiquette à **DROITE** (2), vous pourrez l'apposer sur le classeur de l'édition **PRECEDENTE** du catalogue.
4. Détruire cette feuille.

1.



LG160 From S/N: 16000001-	2
Main assy, engine plate and lower part	4
Main assy, engine plate and lower part	6
Ground plate and eccentric element	8
Option, block paving kit 330 mm	10
Option, block paving kit 450 mm	12
Transport device New version	14
Eccentric element	16
Eccentric element	18
Piston, cpl	20
Engine and engine installation	22
Engine installation Hatz	24
Engine, cpl Hatz	26
Engine Hatz 1B20	28
Engine installation Honda	32
Engine, cpl Honda	34
Petrol engine Honda GX160 K1SX	36
Power transmission	38
Clutch, Honda Up to S/N: 16000840	40
Clutch, Honda From S/N: 16000841	42
Clutch Hatz	44
Belt tightener	46
Hydraulic system	48
Hydraulic diagram	50
Hydraulic pump installation	52
Hydraulic tank	54
Handle	56
Handle	58
Option, handle mounted throttle control	60
Decals and documentation	62
Decals and documentation	64



LG160 From S/N: 1600001-

Item	Part No	Rem Qty	Description	Code
10			Main assy, engine plate and lower part (Page 4)	
20			Eccentric element (Page 16)	
30			Engine and engine installation (Page 22)	
40			Power transmission (Page 38)	
50			Hydraulic system (Page 48)	
70			Handle (Page 56)	
80			Decals and documentation (Page 62)	

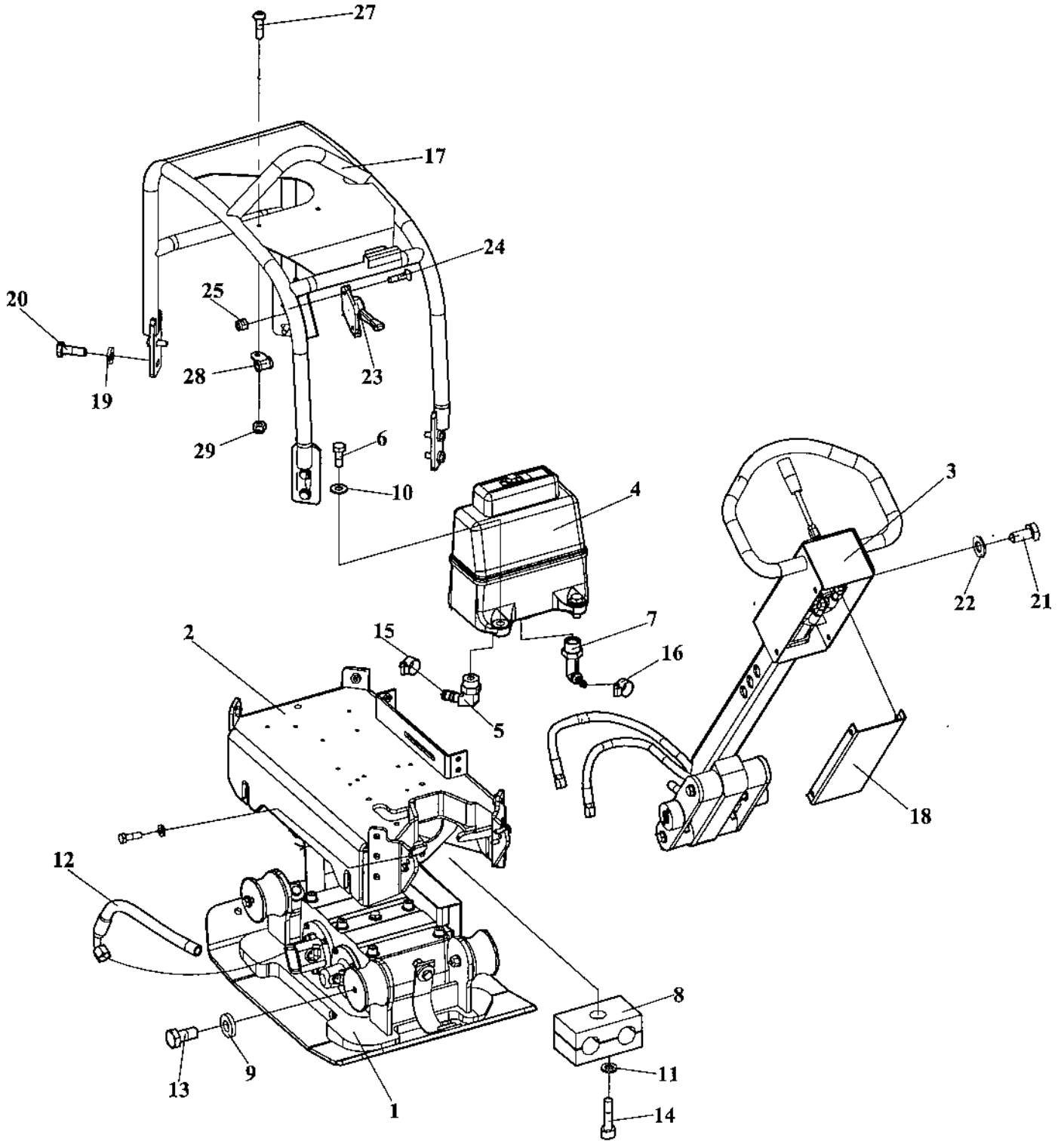
Main assy, engine plate and lower part

Main assy, engine plate and lower part

Item	Part No	Rem Qty	Description	Code
10			Main assy, engine plate and lower part (Page 6)	
20			Ground plate and eccentric element (Page 8)	
30			Option, block paving kit 330 mm (Page 10)	
40			Option, block paving kit 450 mm (Page 12)	
50			Transport device New version (Page 14)	

Main assy, engine plate and lower part

18371-1

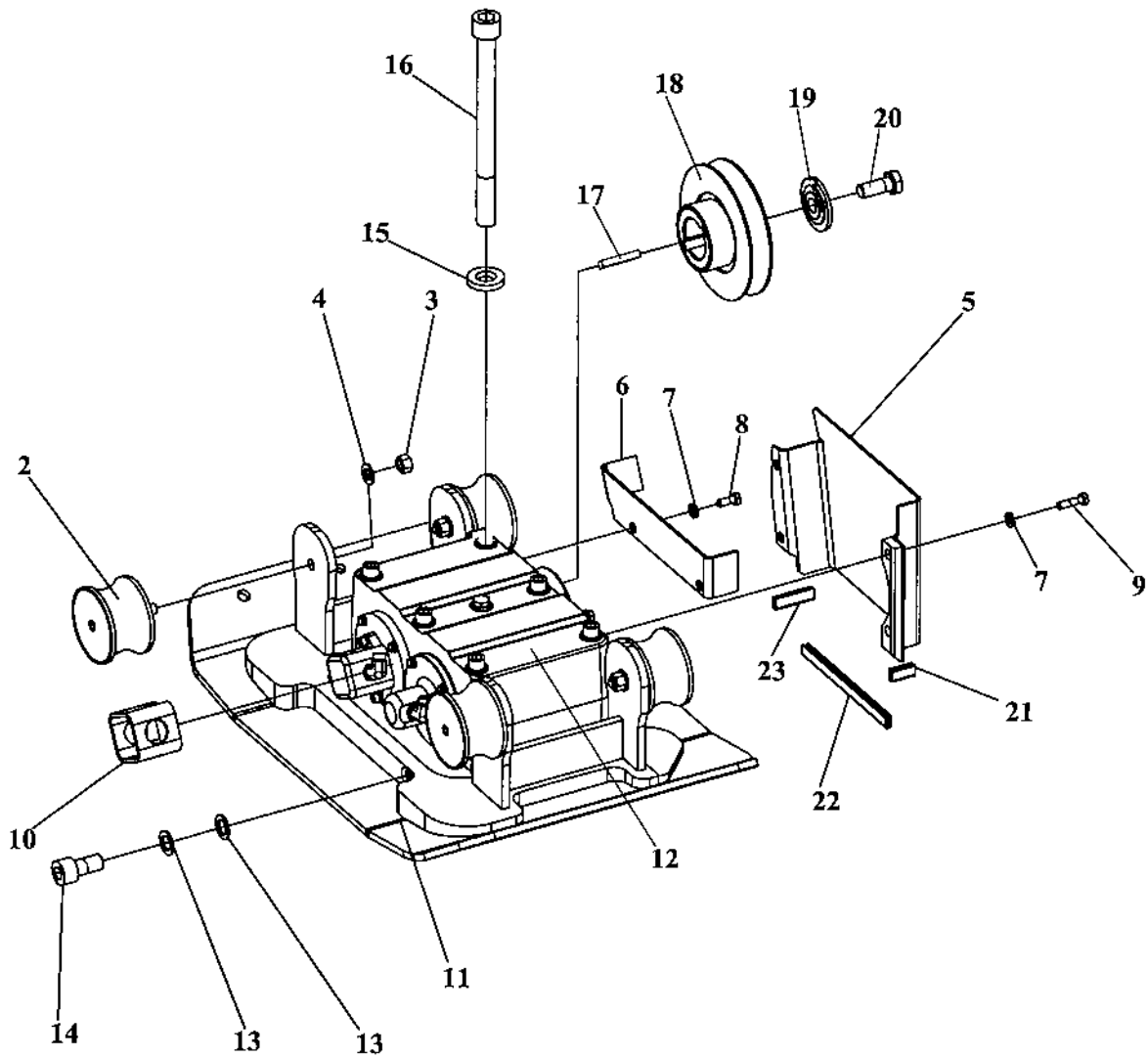


Main assy, engine plate and lower part

Item	Part No	Rem	Qty	Description	Code
1				Ground plate and eccentric element (Page 8)	
2	D379459-01		1	Engine plate	
3				Handle (Page 58)	
4				Hydraulic tank (Page 54)	
5	4700924996		1	Hose connection	D
6	4700500028		4	Screw	
7	4700376674		1	Adapter	
8	4700792273		1	Pipe clamp block	
9	4700904557		4	Washer	
10	4700904230		4	Washer	
11	4700904228		1	Washer	6,4x12x1,5
12	4700391801		1	Hydraulic hose	
13	4700500048		4	Screw	M10-1,5x20 8,8
14	4700508012		1	Screw	
15	4700313003		1	Hose clamp	D
16	4700313108		1	Hose clamp	
17	4700379592		1	Protective frame	
18	4700390449		1	Cover	
19	4700904557		8	Washer	
20	4700500029		8	Screw	
21	4700904229		4	Washer	8,4x16x1,5
22	4700500019		4	Screw	M8x16H 8.8 A2K
23	4700392386	A	1	Throttle control	
	4700390515	B	1	Throttle control	
24	4700904504		2	Screw	M5 x 18
25	4700586001		2	Lock nut	
27	4700791524		1	Screw	
28	4700921065		1	Clamp	
29	4700904563		1	Lock nut	M6
A)	Hatz				
B)	Honda				

Ground plate and eccentric element

18370-1



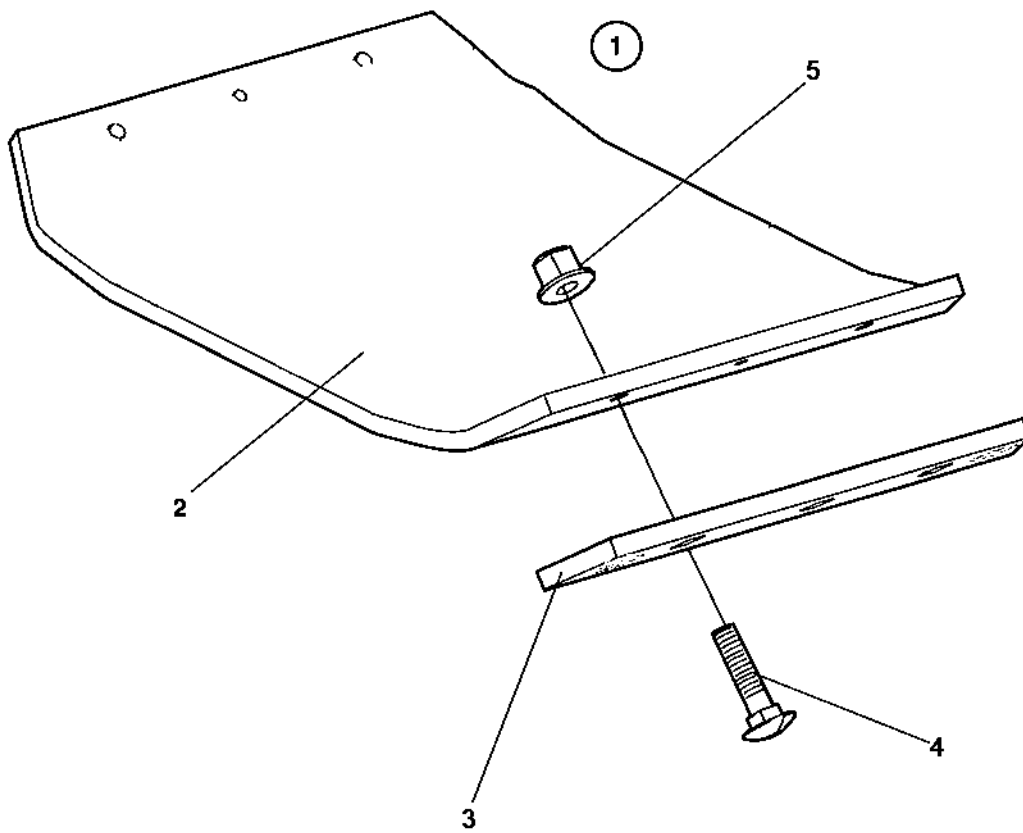
Ground plate and eccentric element

Item	Part No	Rem	Qty	Description	Code
2	4700390236		4	Shock absorber	B
3	4700570007		4	Hexagon nut	
4	4700904231		4	Washer	M12 13x24x2 300 HV
5	4700379581		1	V-belt cover	
6	4700390433		1	Protection	
7	4700904556		6	Washer	8,4x16x3,0
8	4700500053		4	Screw	M8x20H 8.8
9	4700500022		2	Screw	M8x30H 8.8 A2K
10	4700280540		1	Cover	
11	4700393838	D	1	Ground plate	
	4700391895	E	1	Ground plate	
12			1	Eccentric element	
13	4700747541		2	Washer	D
14	4700508028		1	Screw	
15	4700904703		6	Washer	
16	4700929449		6	Screw	
17	4700350029		6	Key	
18	4700390446		1	Pulley	
19	4700280654		1	Washer	
20	4700500028		1	Screw	
21	4700202028	A	1XL	Edge trim	
22	4700202028	B	1XL	Edge trim	
23	4700202028	C	1XL	Edge trim	

- A) L = 0.05m
- B) L = 0,190m
- C) L = 0.03m
- D) Widht = 330 mm
- E) Widht = 450 mm

Option, block paving kit 330 mm

18658

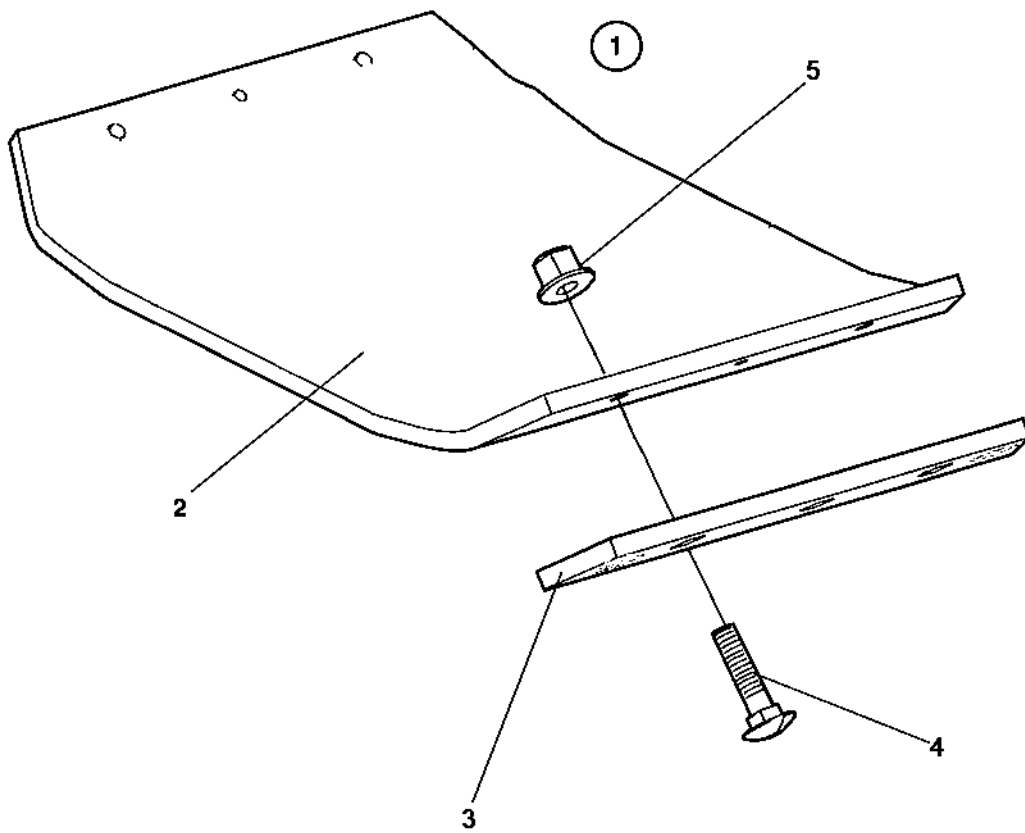


Option, block paving kit 330 mm

Item	Part No	Rem Qty	Description	Code
1			Polyurethane plate, cpl	
2	4700391210	1	Polyurethane plate	
3	4700394470	2	Bracket	
4	4700904341	4	Carriage screw	
5	4700902287	4	Nut	

Option, block paving kit 450 mm

18658

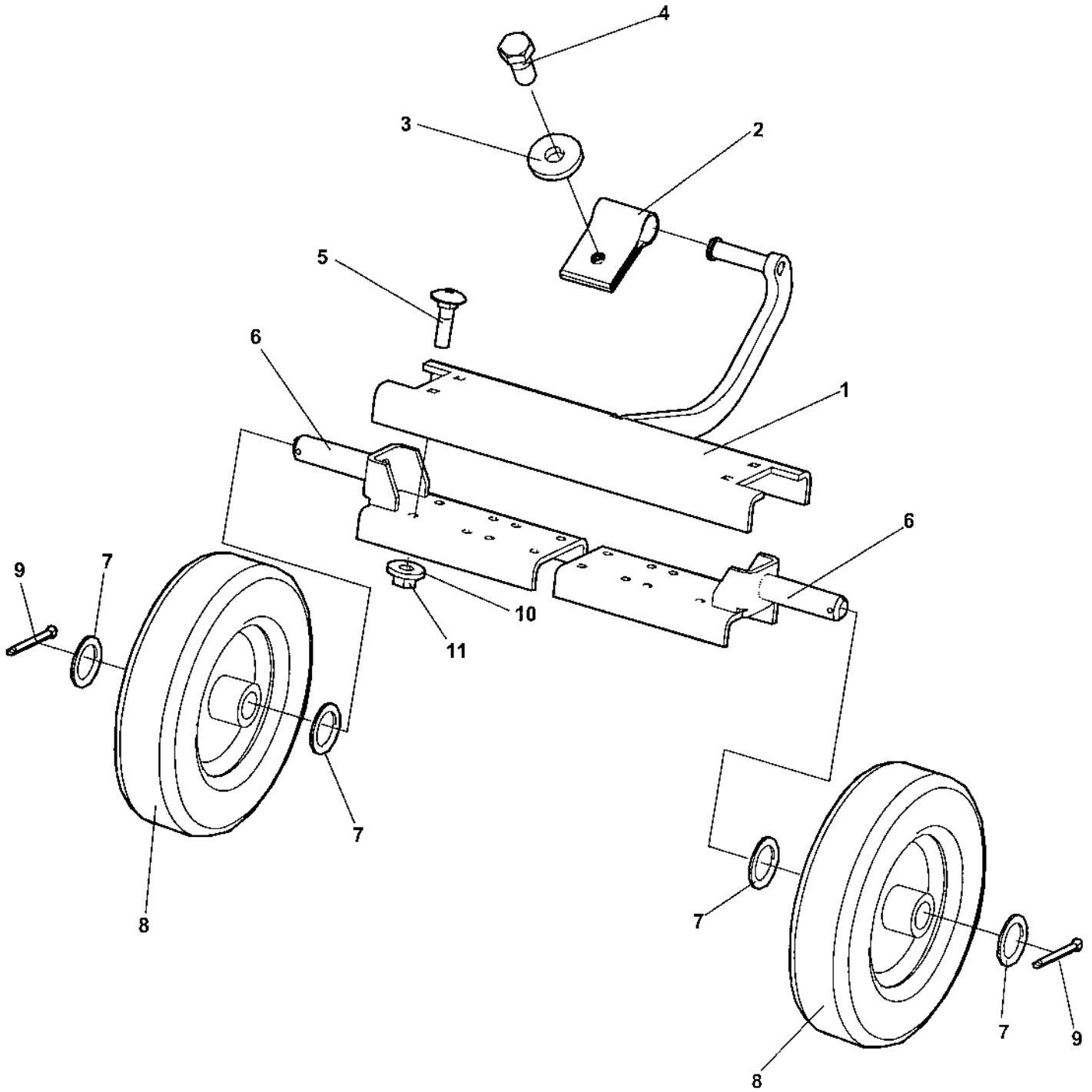


Option, block paving kit 450 mm

Item	Part No	Rem Qty	Description	Code
1			Polyurethane plate, cpl	
2	4700280892		Polyurethane plate	
3	4700381954	2	Bracket	
4	4700904341	4	Carriage screw	
5	4700902287	4	Nut	

Transport device New version

18682



Transport device New version

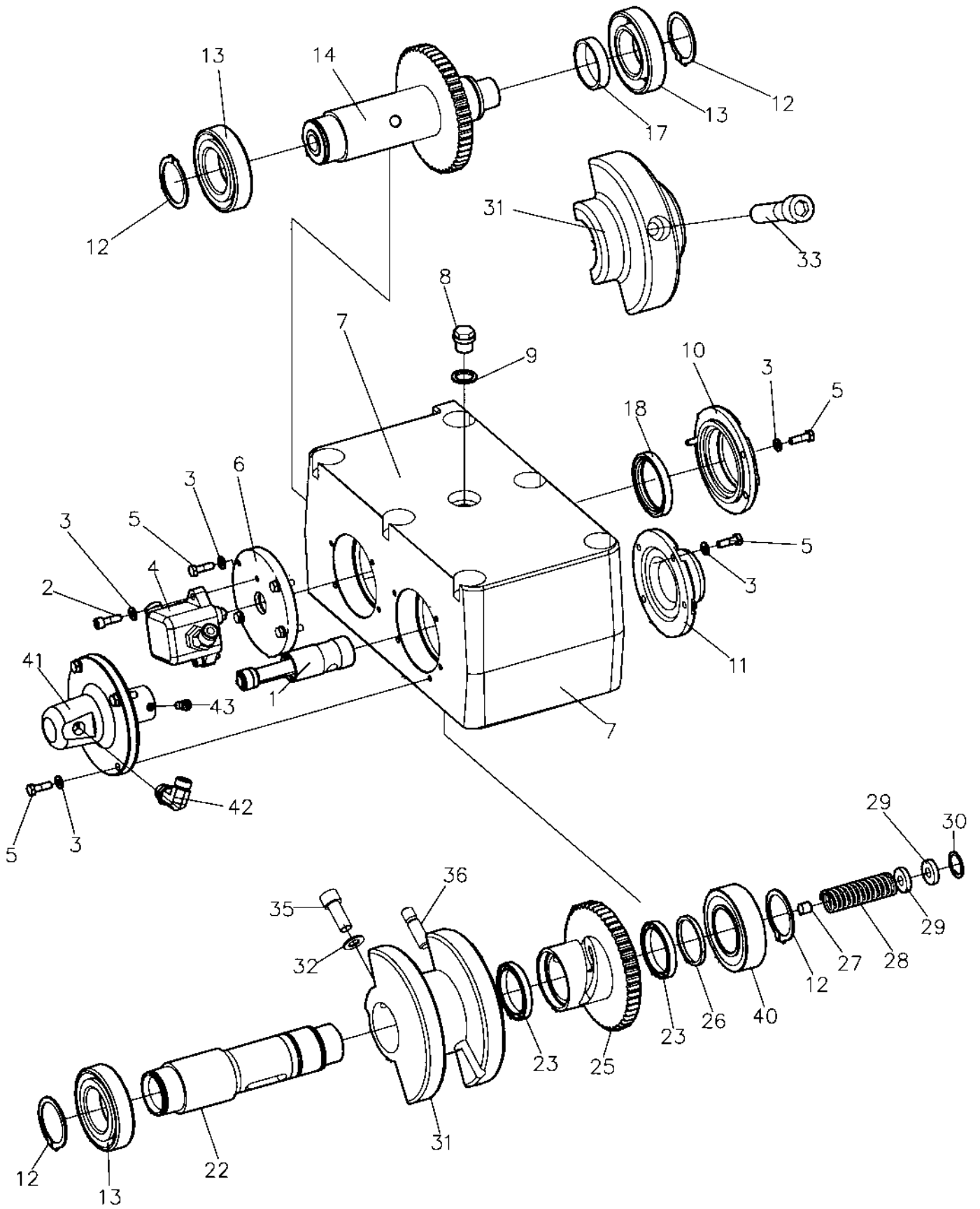
Item	Part No	Rem Qty	Description	Code
1	4700394933	1	Transport device	
2	4700280417	1	Strap	B
3	4700924543	1	Washer	
4	4700500051	1	Screw	M12x25H 8.8 A3K
5	4700791614	4	Screw	
6	4700394985	2	Wheel bracket	
7	4700271032	4	Washer	
8	4700383598	2	Wheel	
9	4700630015	2	Split pin	
10	4700904640	4	Washer	8,4x22x3
11	4700570005	4	Nut	M8

Eccentric element

Item	Part No	Rem Qty	Description	Code
10		1	Eccentric element (Page 18)	
30		1	Piston, cpl (Page 20)	

Eccentric element

18368-1

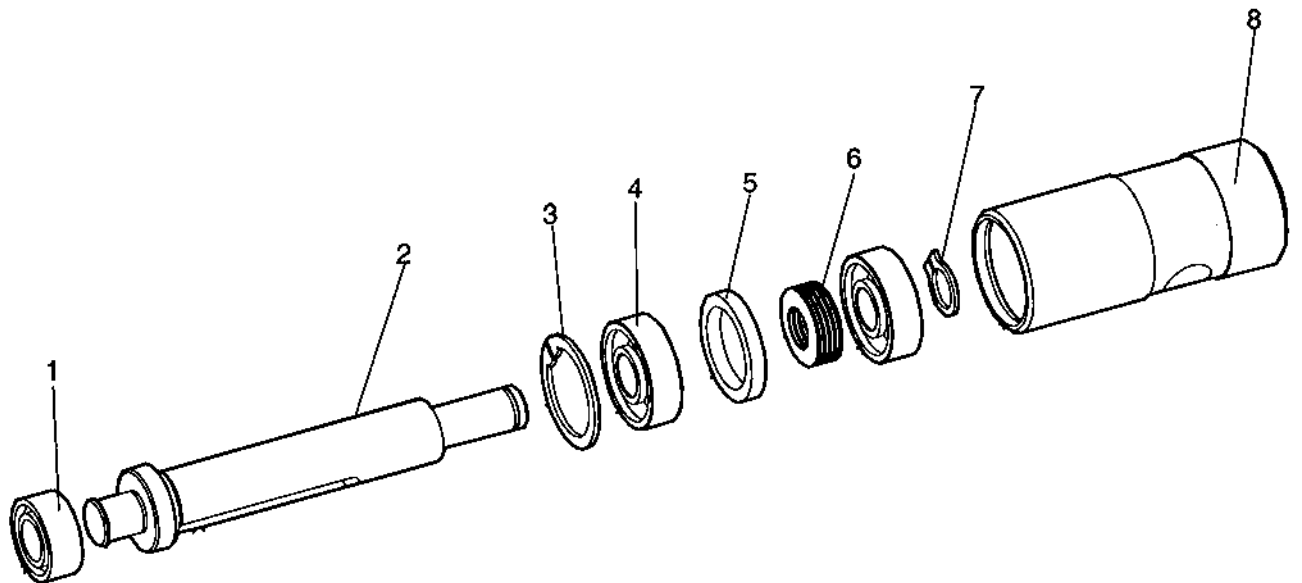


Eccentric element

Item	Part No	Rem Qty	Description	Code
		1	Eccentric element, cpl	
1		1	.Piston, cpl (Page 20)	
2	4700508025	2	.Screw	M6x20
3	4700904228	18	.Washer	6,4x12x1,5
4		1	.Hydraulic pump installation (Page 52)	
5	4700500040	16	.Screw	M6-1x20 8,8
6	4700379168	1	.Cover	
7	4700390091	1	.Eccentric housing	
8	4700232143	1	.Plug	
9	4700162011	1	.Washer, sealing	D
10	4700379167	1	.Cover	
11	4700379165	1	.Cover	
12	4700150017	4	.Retaining ring	D
13	4700903363	3	.Ball bearing	D
14	4700379488	1	.Shaft, cpl	
17	4700280645	1	.Spacer ring	
18	4700928794	1	.Sealing ring	D
22	4700378777	1	.Shaft	
23	4700929287	2	.Ball bearing	D
24	4700280632	1	.Eccentric	D
25	4700395057	1	.Reverser	
26	4700379016	1	.Ring	
27	4700928241	1	.Screw	
28	4700280677	1	.Spring	
29	4700280648	2	.Washer	
30	4700151007	1	.Retaining ring	
31	4700280633	1	.Eccentric	D
32	4700904231	1	.Washer	13x24x2 300 HV
33	4700792724	1	.Screw	
35	4700792723	1	.Screw	
36	4700280644	1	.Pin	
40	4700792254	1	.Spherical roller bearing	
41	4700379166	1	.Cylinder	
42	4700792272	1	.Elbow 90 orfs	
43	4700380155	1	.Screw	
45	4700350029	1	.Key	

Piston, cpl

18217



Piston, cpl

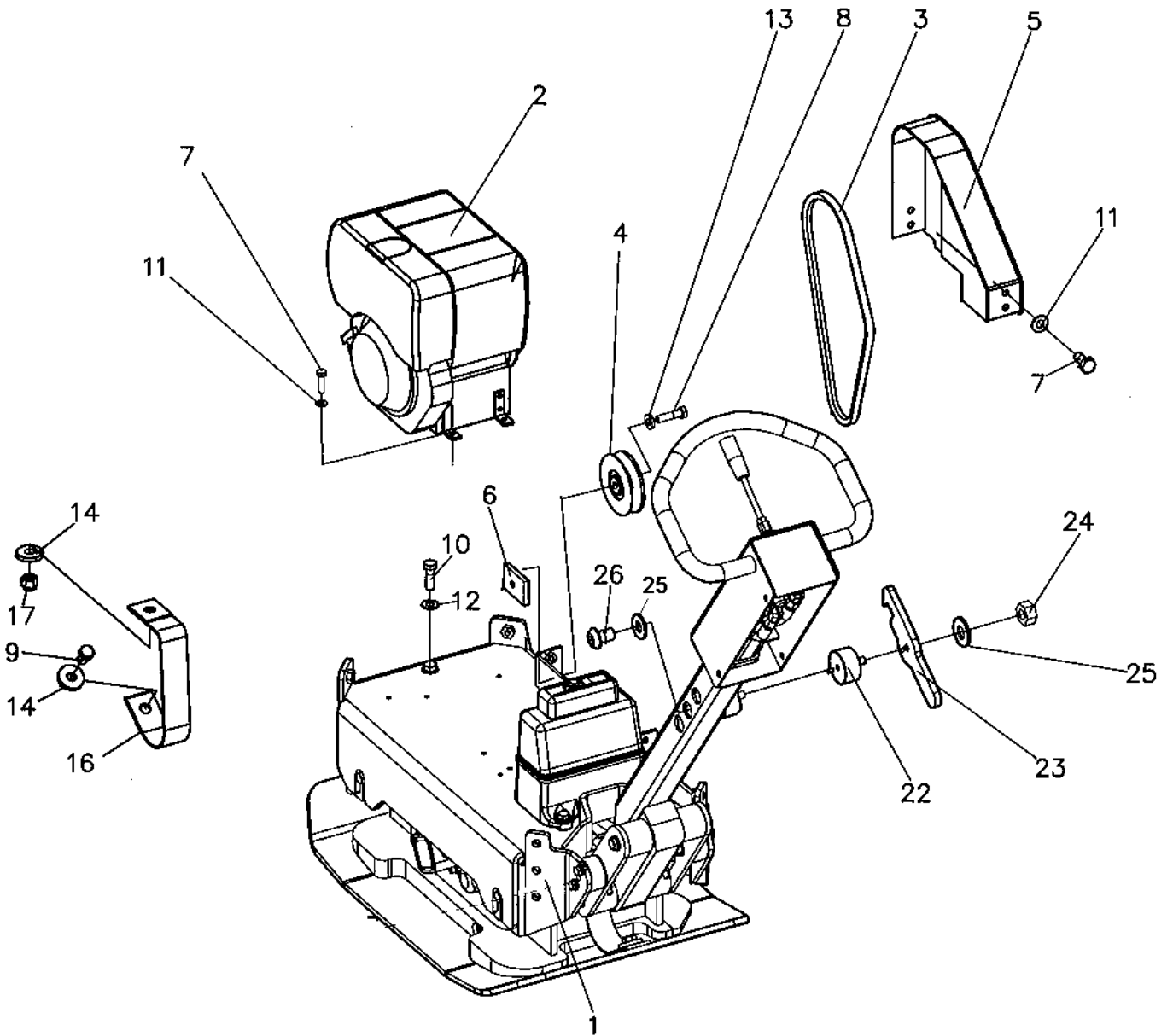
Item	Part No	Rem Qty	Description	Code
		1	Piston, cpl	
1	4700281276	1	.Sealing ring	
2	4700377359	1	.Piston rod	
3	4700151039	1	.Retaining ring	
4	4700929286	2	.Ball bearing	D
5	4700280647	1	.Spacer ring	
6	4700929291	10	.Cup spring	
7	4700150002	1	.Retaining ring	
8	4700280637	1	.Piston	

Engine and engine installation

Item	Part No	Rem Qty	Description	Code
10		1	Engine installation Hatz (Page 24)	
15		1	Engine, cpl Hatz (Page 26)	
20			Engine Hatz 1B20 (Page 28)	
25			Engine installation Honda (Page 32)	
30			Engine, cpl Honda (Page 34)	
35			Petrol engine (Page 36)	Honda GX160 K1SX

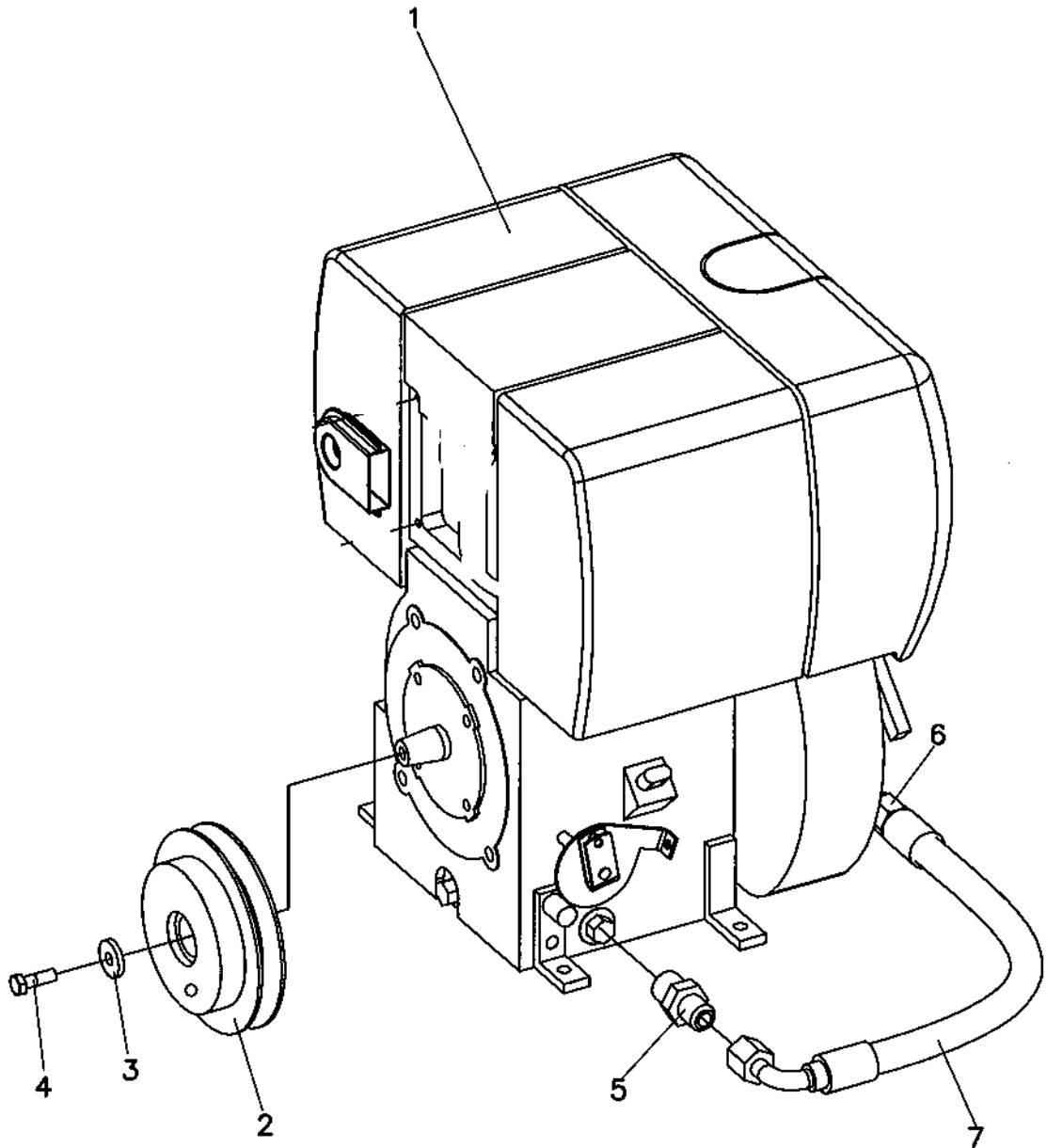
Engine installation Hatz

18376-1



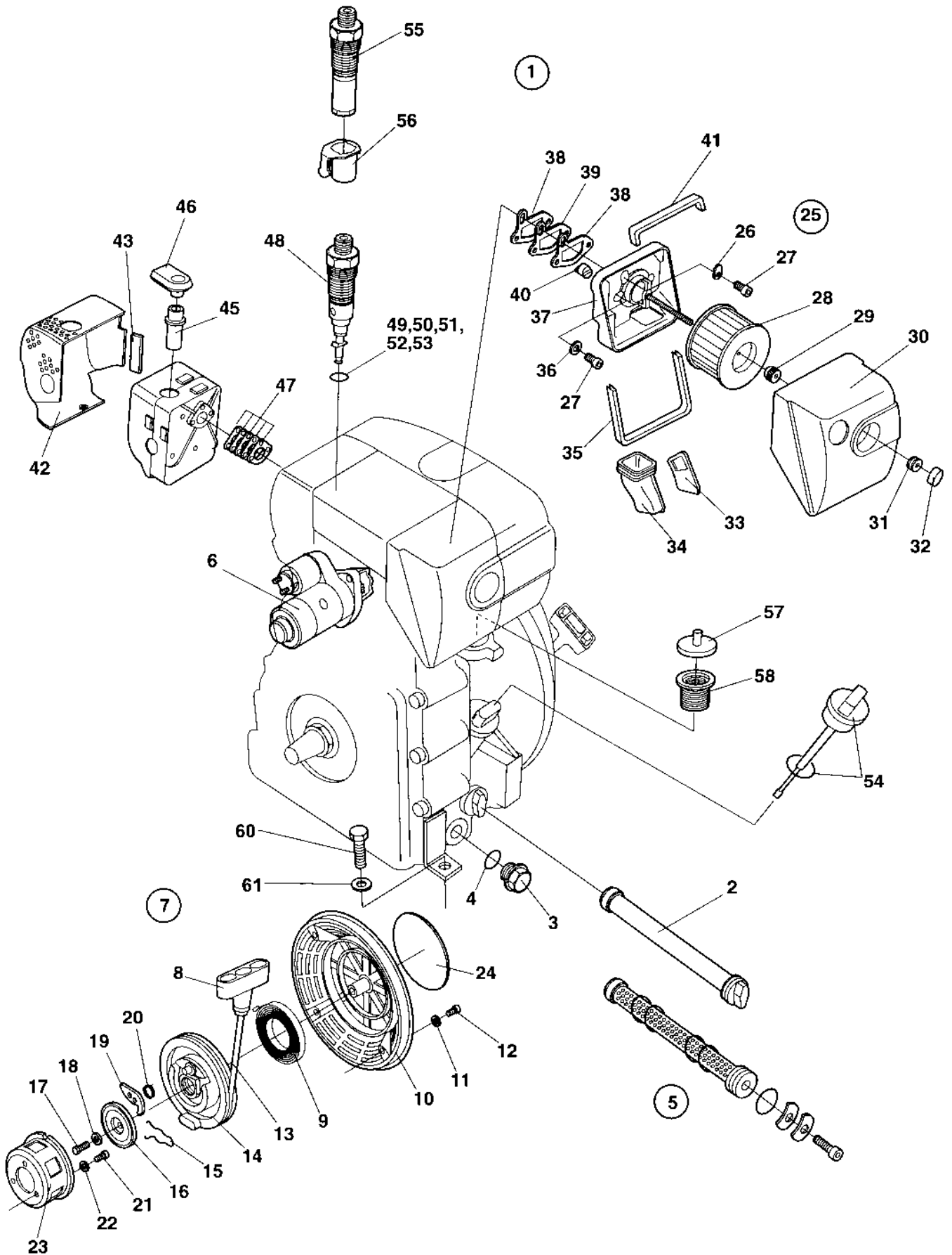
Engine installation Hatz

Item	Part No	Rem Qty	Description	Code
1		1	Ground plate and eccentric element (Page 8)	
2		1	Engine, cpl Hatz (Page 26)	
3	4700281249	1	V-belt	B
4	4700390429	1	Belt tightener	
5	D390096-02	1	V-belt guard	
6	4700390416	1	Bracket	
7	4700500019	8	Screw	M8x16H 8.8 A2K
8	4700500031	1	Screw	
9	4700500035	2	Screw	M12x020H
10	4700500037	2	Screw	
11	4700904229	8	Washer	8,4x16x1,5
12	4700904231	2	Washer	13x24x2 300 HV
13	4700904557	1	Washer	
14	4700924543	4	Washer	
16	4700283075	2	Strap	
17	4700586019	4	Lock nut	
22	4700385387	1	Shock absorber	
23	4700382496	1	Hook	
24	4700570006	1	Nut	
25	4700904230	2	Washer	
26	4700500021	1	Screw	M8-1,25x25 8.8
27	D100505036	1	Strap	D



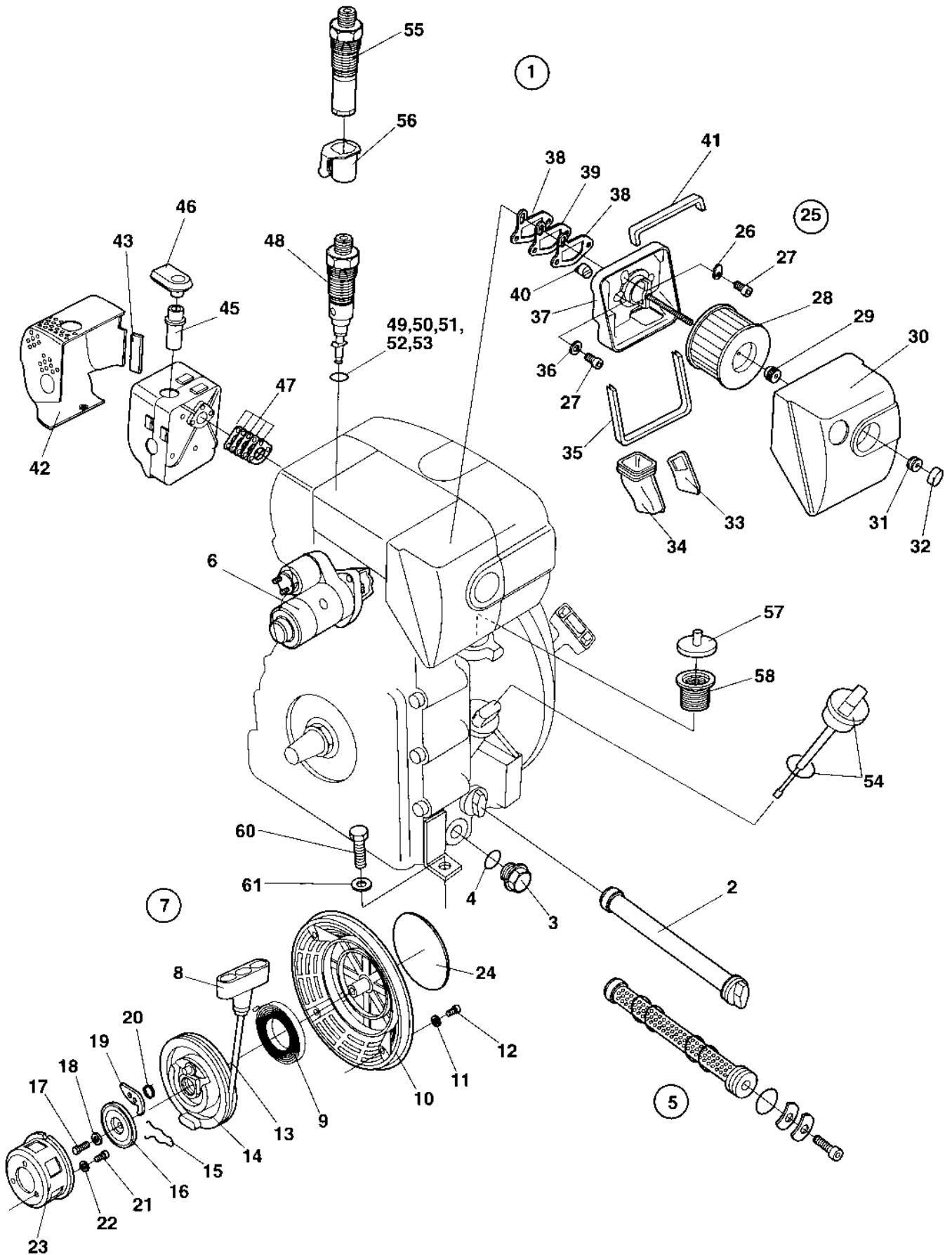
Engine, cpl Hatz

Item	Part No	Rem Qty	Description	Code
1		1	Engine Hatz 1B20 (Page 28)	
2		1	Clutch	Honda
3	4700904734	1	Washer	8,4x26x4
4	4700500021	1	Screw	M8-1,25x25 8.8
5		1	Connector	
6		1	Plug	
7		1	Hose	



Item	Part No	Rem Qty	Description	Code
1	4700391058	1	Engine, cpl	Hatz 1B20
2		A 1	.Oil strainer, cpl	
3	4700937002	1	.Plug	D
4	4700937003	1	.O-ring	B
5	4700937001	1	.Oil strainer, cpl	
6	4700936974	1	.Starter	
7	4700936982	1	.Recoil starter, cpl	D
8	4700936983	1	..Knob	B
9	4700936985	1	..Spiral spring	B
10	4700936986	1	..Housing	
11	4700936987	4	..Washer	
12	4700936988	4	..Screw	
13	4700936989	1	..Rope	B
14	4700936990	1	..Reel	
15	4700936991	1	..Spring	B
16	4700936992	1	..Friction plate	
17	4700936993	1	..Screw	
18	4700936994	1	..Washer	
19	4700936995	1	..Ratchet	
20	4700936996	1	..O-ring	
21	4700936997	3	.Screw	
22	4700936998	3	.Washer	
23	4700936999	1	.Starter pulley	
24	4700937000	1	.Decal	
25		1	.Air filter	
26	4700937011	1	..Washer	
27	4700937012	3	..Screw	
28	4700937013	1	..Filter element	A
29	4700937014	1	..Nut	
30	4700937015	1	..Protecting cover	
31	4700937016	1	..Rubber sleeve	
32	4700937017	1	..Nut	
33	4700937018	1	..Plate	
34	4700937019	1	..Rubber hose	
35	4700937020	1	..Edge trim	
36	4700239517	2	..Washer	
37	4700937021	1	..Air filter house	
38	4700937022	2	..Gasket	
39	4700937023	1	..Gasket	
40	4700937024	1	..Vent nipple	
41	4700937010	1	..Edge trim	
42	4700937007	1	.Protecting cover	
43	4700937008	1	..Edge trim	
44	4700937009	1	.Muffler	
45	4700937005	1	..Exhaust tube	
46	4700937004	1	..Exhaust pipe	
47	4700937006	5	..Gasket	
48	4700936976	1	.Injection pump cpl	D
49	4700936977	1	..O-ring	0,2 mm
50	4700936978	1	..O-ring	0,3 mm
51	4700936979	1	..O-ring	0,4 mm
52	4700936980	1	..O-ring	0,5 mm
53	4700936981	1	..O-ring	0,6 mm
54	4700937608	1	.Oil dipstick	
55	4700937607	1	.Nozzle	
56	4700937606	1	.Sleeve	
57	4700937604	1	.Lock	
58	4700937605	1	.Socket	
59	4700937415	1	.Oil strainer, cpl	

A) Old version replaced by item 5

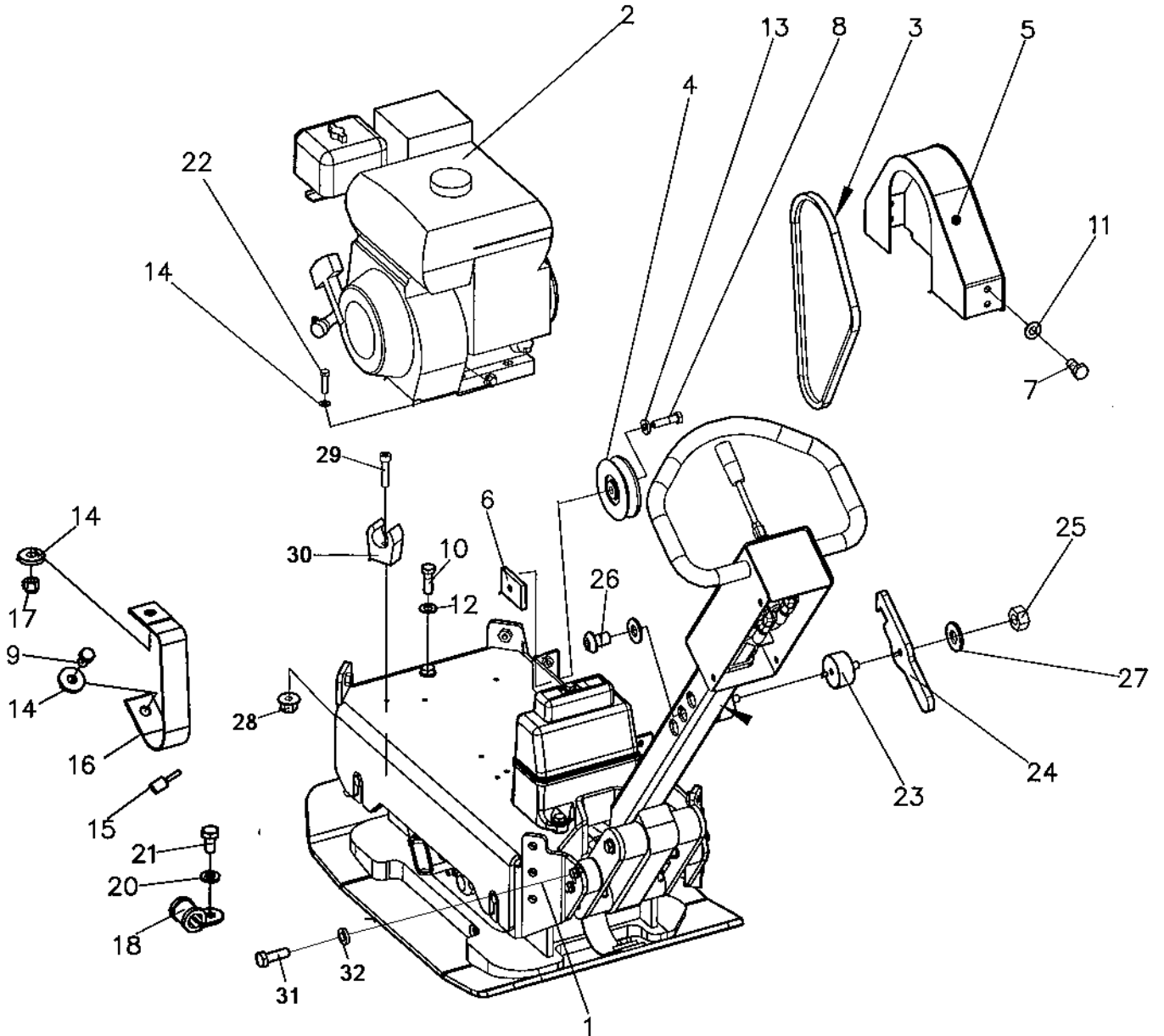


Engine Hatz 1B20

Item	Part No	Rem Qty	Description	Code
60	4700500021	4	Screw	M8-1,25x25 8.8
61	4700901233	4	Washer	
62	4700937904	1	Speed control, cpl	

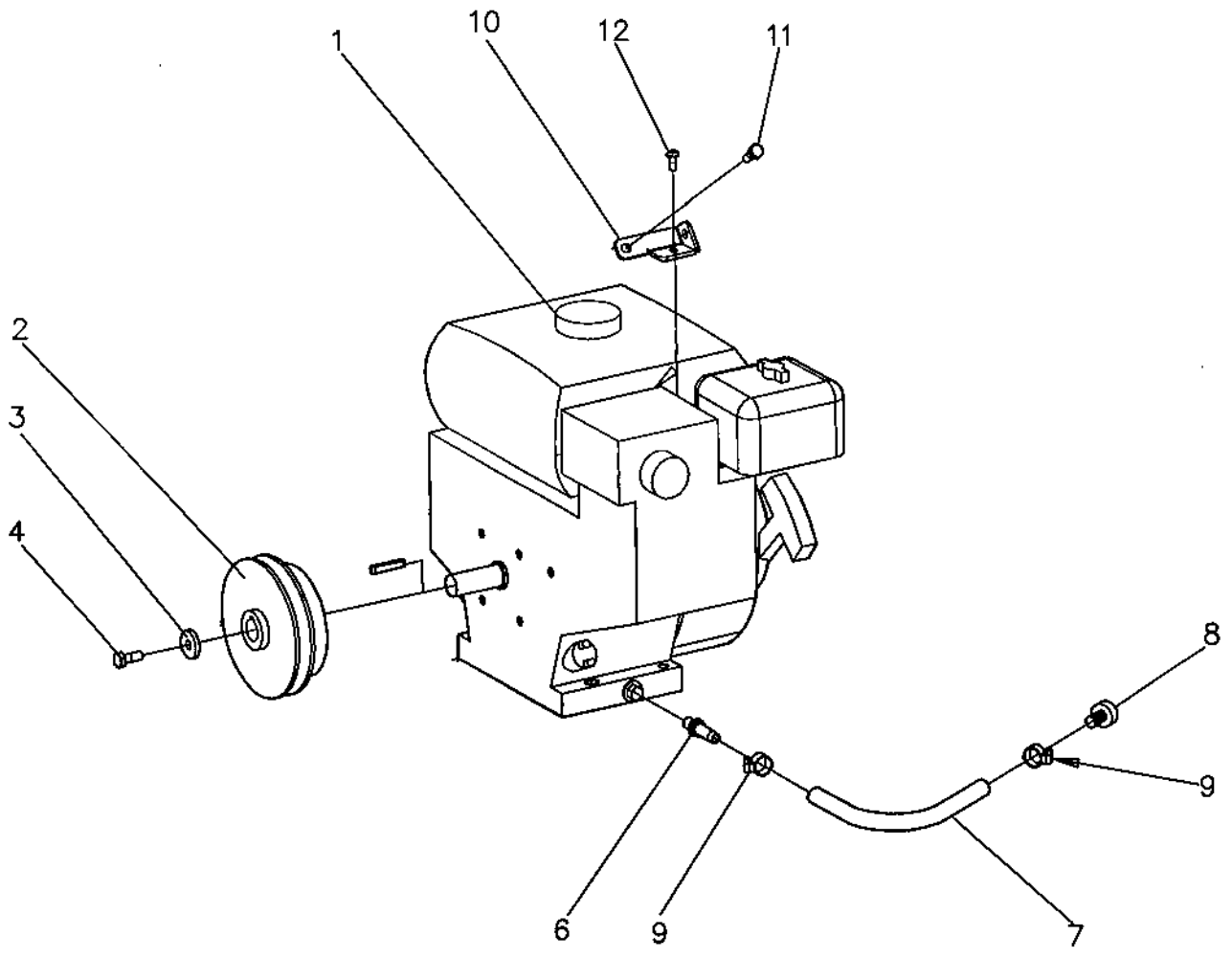
Engine installation Honda

18374



Engine installation Honda

Item	Part No	Rem Qty	Description	Code
1		1	Ground plate and eccentric element (Page 8)	
2		1	Engine, cpl Honda (Page 34)	
3	4700281345	1	V-belt	B
4		1	Belt tightener, cpl	B
5	D390097-02	1	Belt guard	
6	4700390416	1	Bracket	
7	4700500019	4	Screw	M8x16H 8.8 A2K
8	4700500031	1	Screw	
9	4700500035	1	Screw	M12x020H
10	4700500037	2	Screw	
11	4700904229	8	Washer	8,4x16x1,5
12	4700904231	2	Washer	13x24x2 300 HV
13	4700904557	1	Washer	
14	4700924543	4	Washer	
15			Not used on this model	
16	4700283075	1	Strap	
17	4700586019	2	Lock nut	
18			Not used on this model	
20			Not used on this model	
21			Not used on this model	
22	4700500022	4	Screw	M8x30H 8.8 A2K
23	4700385387	1	Shock absorber	
24	4700382496	1	Hook	
25	4700570006	1	Nut	
26	4700792281	1	Screw	
27	4700904230	2	Washer	
28	4700902284	1	Nut	M5
29	4700508023	1	Screw	
30	4700281234	1	Ryw-clips	
31	4700904556	4	Washer	8,4x16x3,0
32	4700500021	4	Screw	M8-1,25x25 8.8
33	D100505036	1	Strap	D



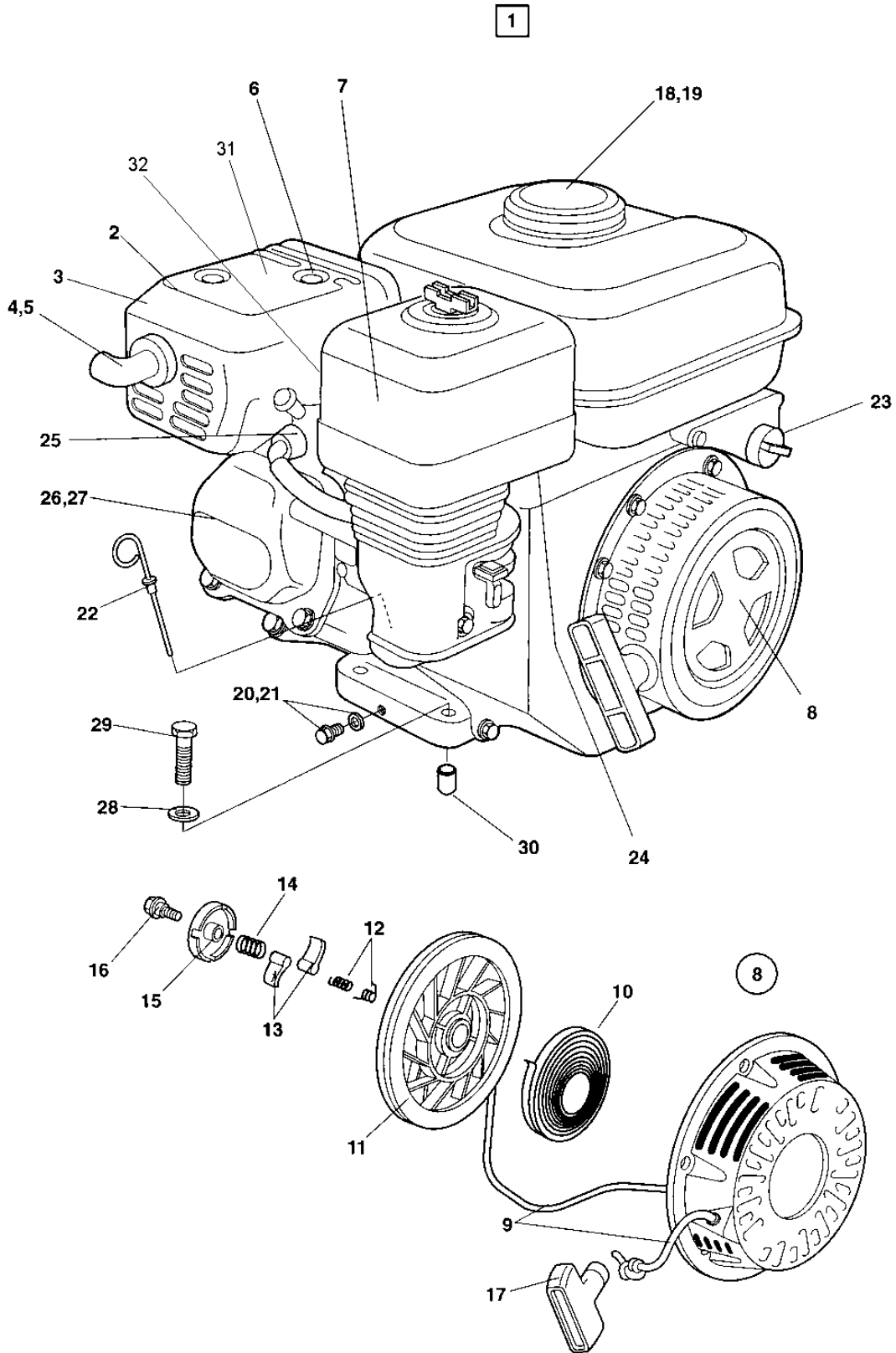
Engine, cpl Honda

Item	Part No	Rem	Qty	Description	Code
1			1	Engine, cpl Honda (Page 34)	
2	4700392695	B,C	1	Clutch, cpl Up to 16000841	
	4700394422	D,C	1	Clutch, cpl	
3	4700904734		1	Washer	8,4x26x4
4	4700500053		1	Screw	M8x20H 8.8
6	D100504811		1	Hose connection	
7	D100901382	A	1XL	Hose	
8	D100504609		1	Plug	
9	4700313001		2	Hose clamp	
10	4700392111		1	Bracket	
11	4700500013		1	Screw	M6-1x16 8,8
12	4700903903		1	Screw	

- A) L = 0,250m
- B) Replaced by 4700394422
- C) For loose part, see section centrifugal clutch
- D) New version

Petrol engine Honda GX160 K1SX

16100



Petrol engine Honda GX160 K1SX

Item	Part No	Rem	Qty	Description	Code
1	4700281125		1	Petrol engine	
2	4700383031	A,B	1	Catalyser	
	4700239059		1	.Muffler	
3	4700239060		1	.Muffler cover, upper	
4	4700239062		1	.Exhaust pipe	
5	4700238322		1	.Arrester, spark	
6	4700239063		1	.Gasket, muffler	
7	4700239323		1	.Air filter, cpl	A
8	4700239065		1	.Recoil starter, cpl	D
9	4700239374		1	..Starter rope	B
10	4700239375		1	..Spring	B
11	4700239376		1	..Reel	
12	4700239377		2	..Spring	
13	4700239378		2	..Ratchet	
14	4700239379		1	..Friction spring	
15	4700239380		1	..Guide	
16	4700239381		1	..Screw	
17	4700239391		1	..Handle	B
18	4700239321		1	.Fuel tank	
19	4700239324		1	.Fuel tank cap	D
20	4700238302		2	.Oil plug	D
21	4700238303		2	.Gasket	D
22	4700238306		1	.Oil plug	D
23	4700239067		1	.Oil alert	
24	4700239325		1	.Carburettor	
25	4700924842		1	.Spark plug	
26	4700238301		1	.Gasket	D
27	4700239664		1	.Gasket, cylinder head	D
28	4700901233		4	Washer	
29	4700500023		4	Screw	M8-1,25x40 8,8
30	4700281128		4	Spacer	
32	4700573002	C	1	Nut	M5

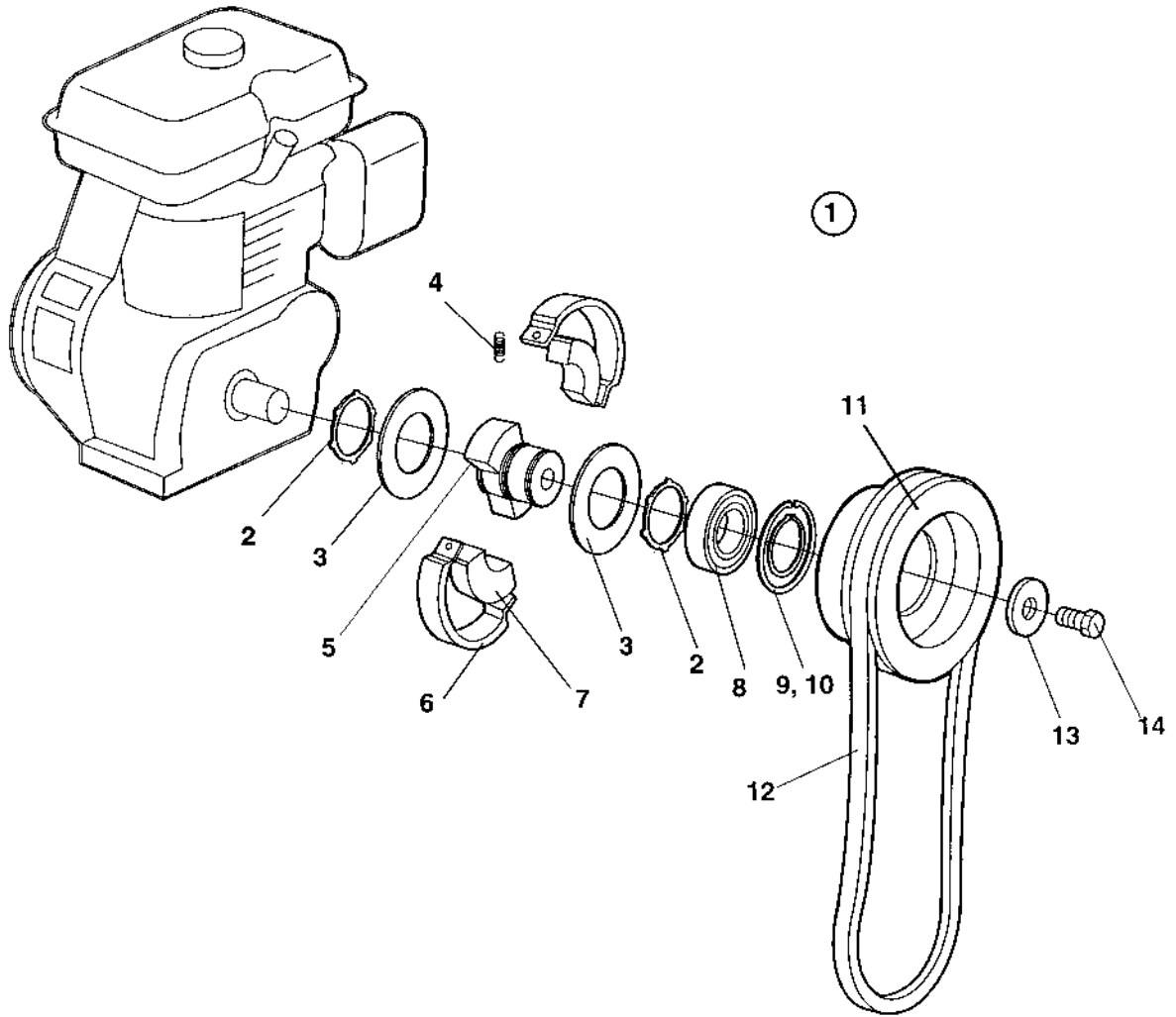
- A) Option
- B) Replaceable with muffler
- C) Locking nut for revolution screw

Power transmission

Item	Part No	Rem Qty	Description	Code
20		1	Clutch, Honda Up to S/N: 16000840 (Page 40)	
30		1	Clutch, Honda From S/N: 16000841 (Page 42)	
40		1	Clutch (Page 44)	Hatz
50		1	Belt tightener (Page 46)	

Clutch, Honda Up to S/N: 16000840

17413



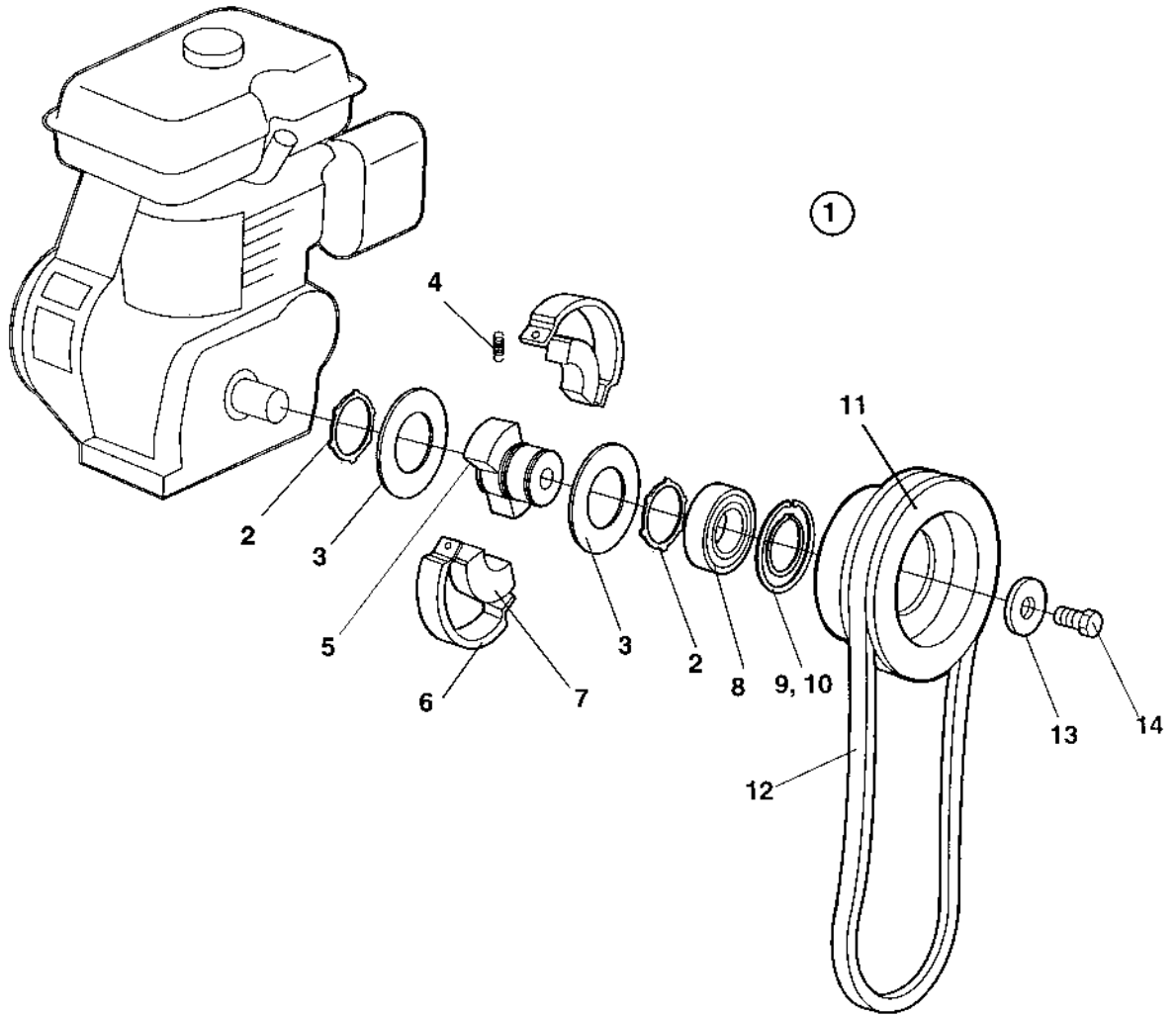
Clutch, Honda Up to S/N: 16000840

Item	Part No	Rem	Qty	Description	Code
1	4700392695	C	1	Clutch, cpl	
2	4700239734		2	.Retaining ring	
3	4700239768		2	.Cover	
4		A	2	.Spring	
5	4700938701		1	.Hub	D
6		A	2	.Clutch lining	D
7	4700239290		2	.Weight	D
8	4700937034		1	.Bearing	
9	4700937035		1	.Retaining ring	
10	4700937036		2	.Retaining ring	
11	4700945613		1	.V-belt pulley	
12		B	1	V-belt	
13			1	Washer	
14			1	Screw	
15	4700945616		1	Clutch lining kit	

- A) Included in kit 4700945616
B) See section engine installation
C) Marked with 090-2173

Clutch, Honda From S/N: 1600841

17413



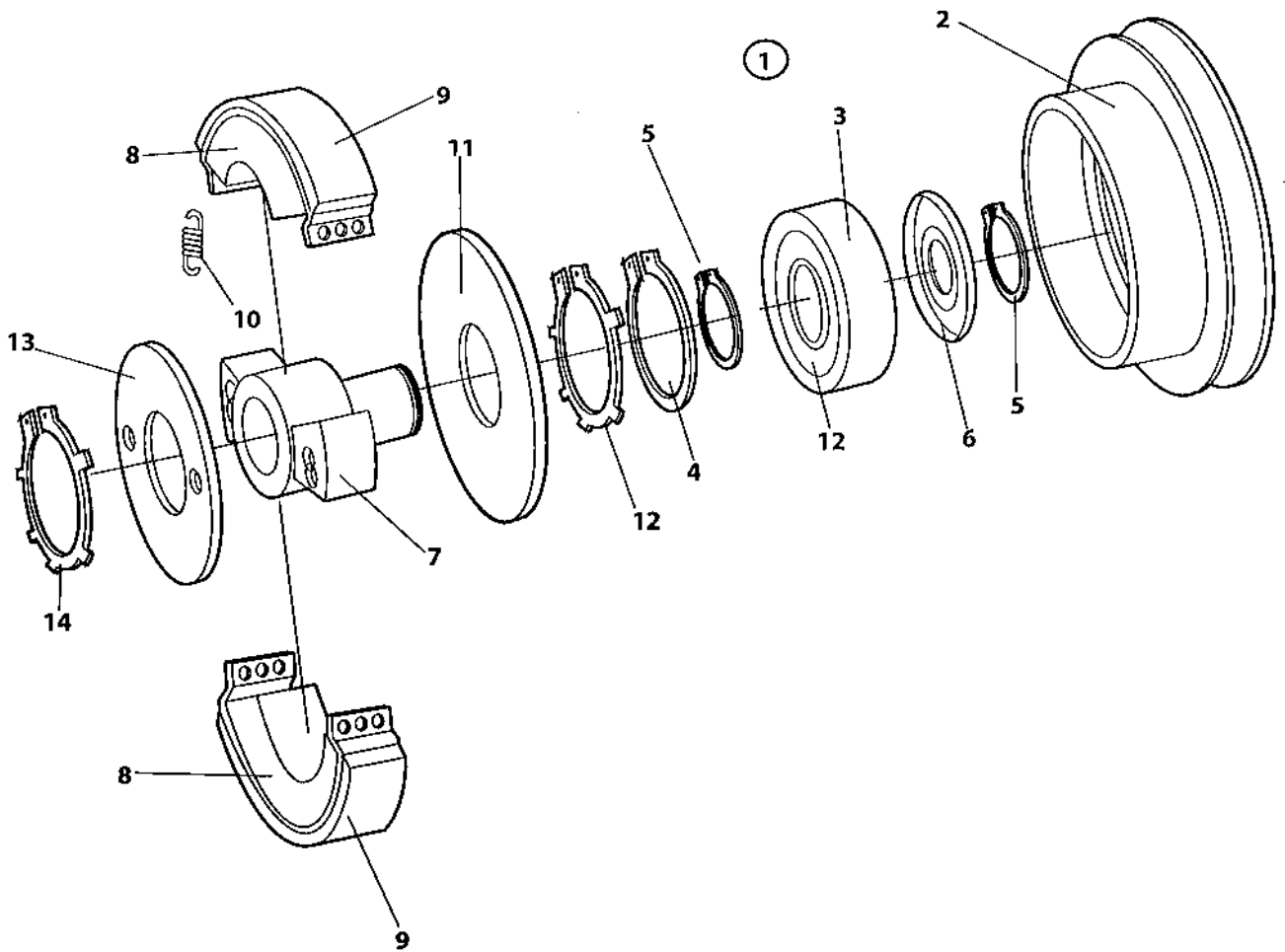
Clutch, Honda From S/N: 16000841

Item	Part No	Rem	Qty	Description	Code
1	4700394422	C	1	Clutch, cpl	
2	4700239734		2	.Retaining ring	
3	4700239768		2	.Cover	
4		A	2	.Spring	
5	4700938701		1	.Hub	D
6		A	2	.Clutch lining	D
7	4700239290		2	.Weight	D
8	4700937034		1	.Bearing	
9	4700937035		1	.Retaining ring	
10	4700937036		1	.Retaining ring	
11	4700950351		1	.V-belt pulley	
12		B	1	V-belt	
13			1	Washer	
14			1	Screw	
15	4700945616		1	Clutch lining kit	

- A) Included in kit 4700945616
- B) See section engine installation
- C) Marked with 090-2727

Clutch Hatz

18316

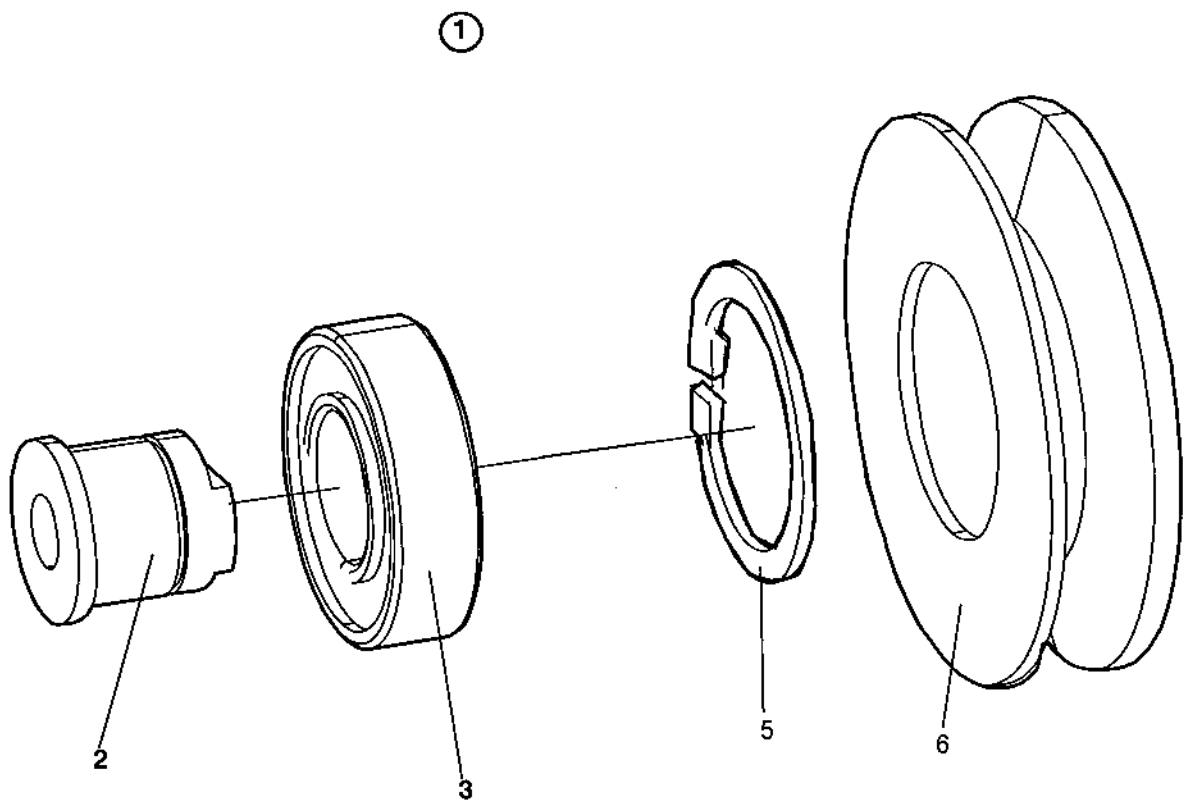


Clutch Hatz

Item	Part No	Rem Qty	Description	Code
1	4700378033	1	Clutch, cpl	
2	4700937029	1	.V-belt pulley	
3	4700938724	1	.Ball bearing	D
4	4700938725	1	.Retaining ring	
5	4700938726	2	.Snap ring	
6	4700134036	1	.Nilos ring	
7	4700937031	1	.Hub	
8	D100901032	2	.Clutch weight	
9	4700945612	2	.Clutch lining	
10	4700937527	4	.Spring	
11	4700239857	1	.Cover	
12	4700239539	1	.Retaining ring	
13	4700239768	1	.Cover	
14	4700239734	1	.Retaining ring	

Belt tightener

18683

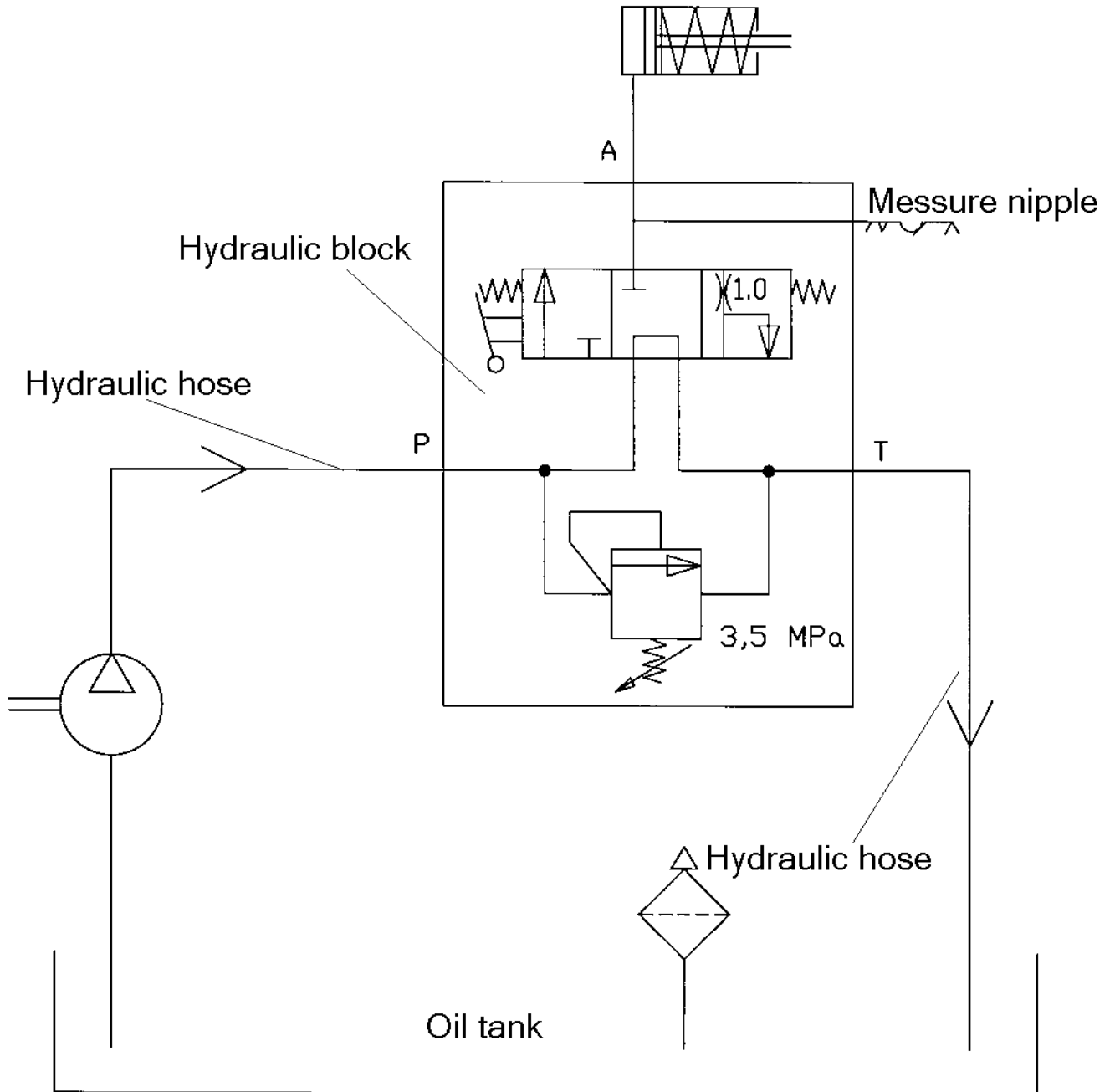


Belt tightener

Item	Part No	Rem Qty	Description	Code
1		1	Idler, cpl	
2	4700390415	1	.Shaft	
3	4700111114	1	.Ball bearing	
5	4700151017	1	.Snap ring	
6	4700280836	1	.V-belt pulley	D

Hydraulic system

Item	Part No	Rem Qty	Description	Code
10			Hydraulic diagram (Page 50)	
20			Hydraulic pump installation (Page 52)	
30			Hydraulic tank (Page 54)	

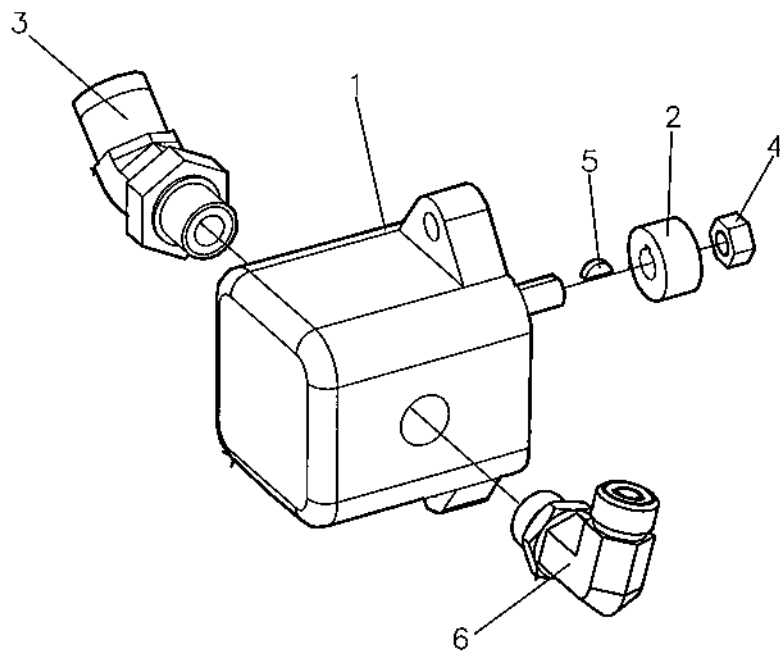


Hydraulic diagram

Item	Part No	Rem Qty	Description	Code
1			Piston, cpl (Page 20)	
2			Measure nipple	
3			Handle (Page 58)	
4			Handle (Page 58)	
5			Handle (Page 58)	
9			Hydraulic tank (Page 54)	

Hydraulic pump installation

18369



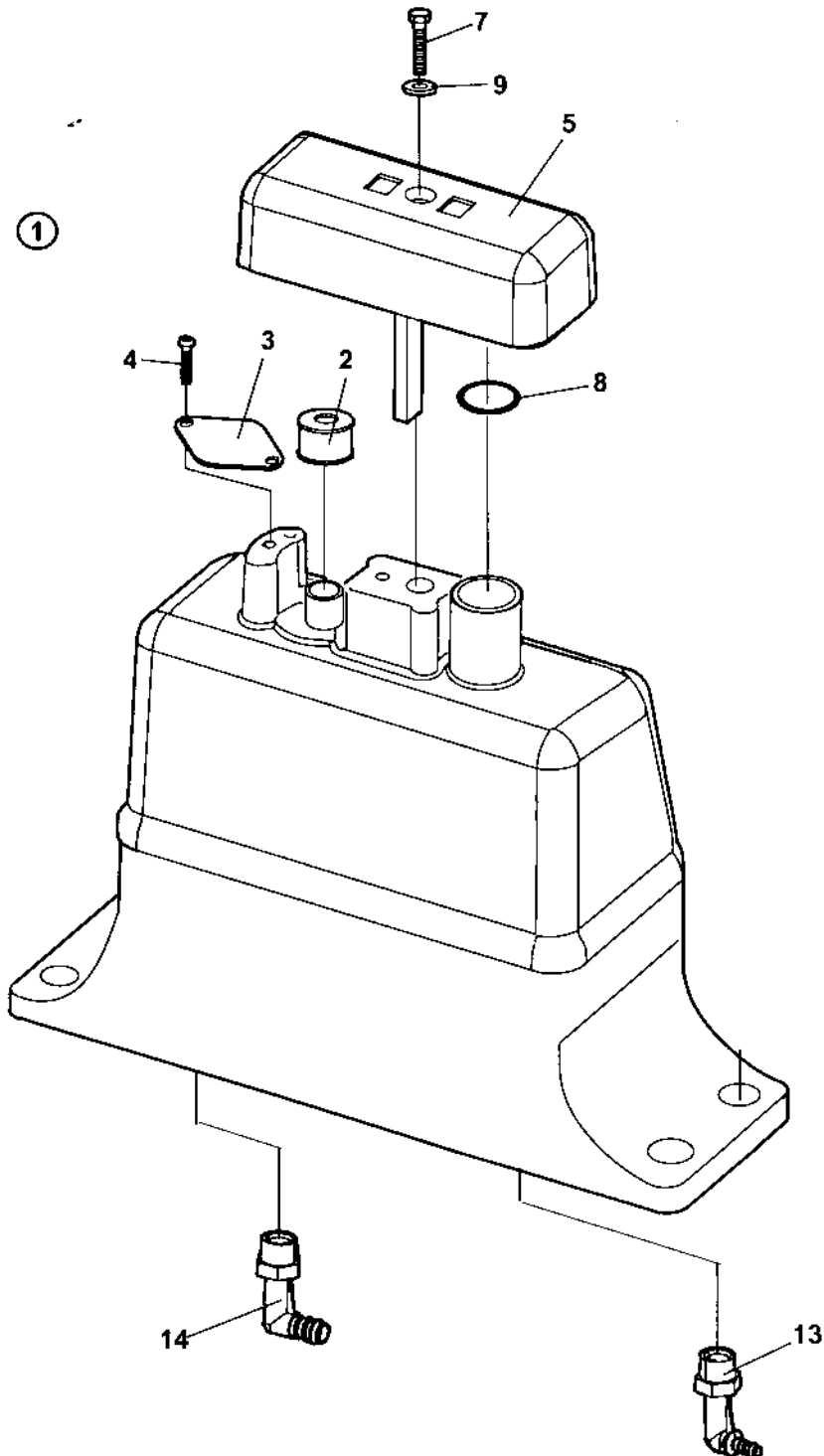
Hydraulic pump installation

Item	Part No	Rem	Qty	Description	Code
1	4700383562		1	Hydraulic pump	
2	4700928894		1	Sleeve	
3	4700792253		1	Elbow	
4		A	1	Nut	
5		A	1	Key	
6	4700792272		1	Elbow 90 orfs	

A) Supplied with hydraulic pump

Hydraulic tank

18635



Hydraulic tank

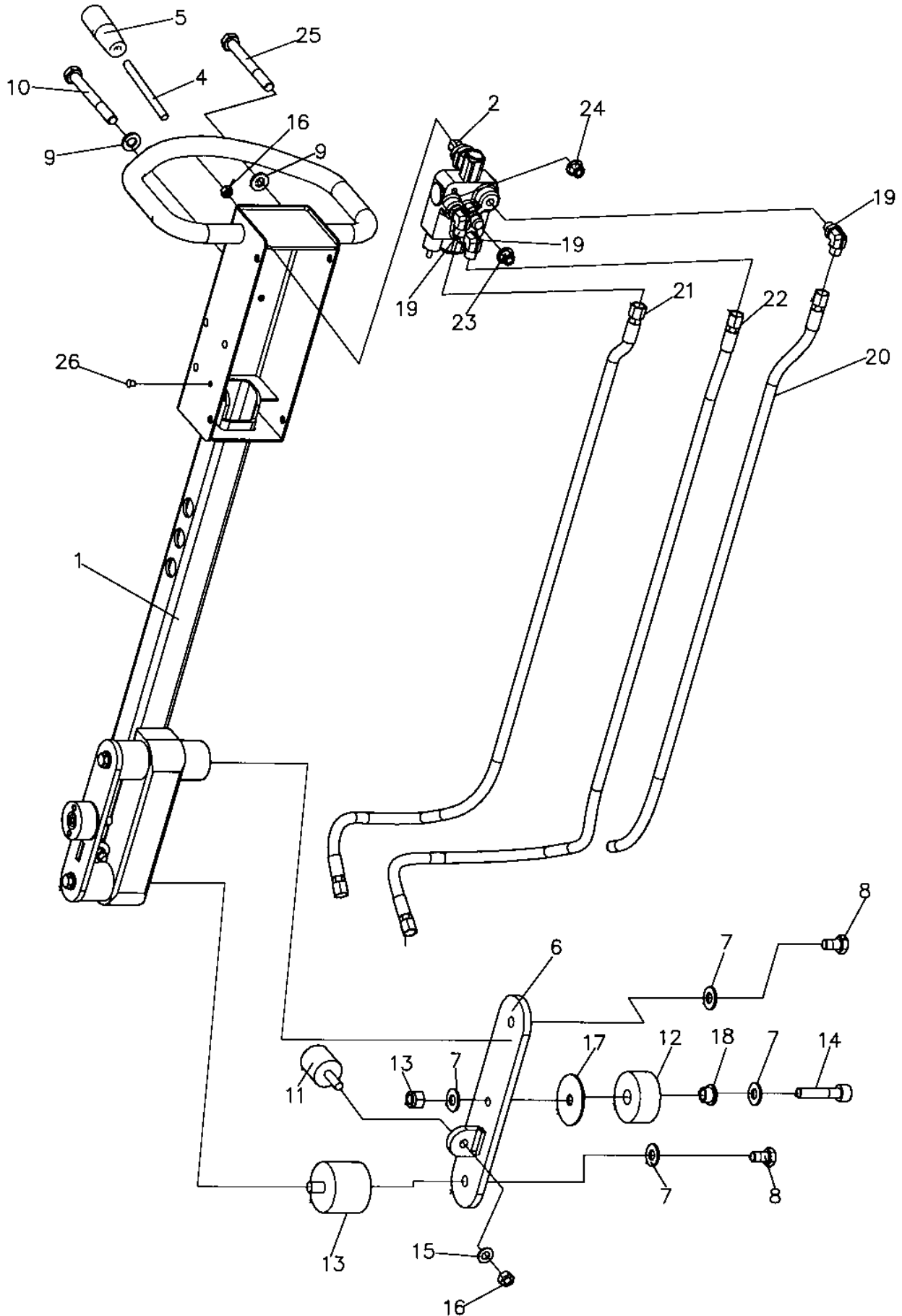
Item	Part No	Rem	Qty	Description	Code
1		A,B	1	Hydraulic oil tank	
2	4700381566		1	.Air filter	
3	4700381563		1	.Holder	
4	4700904960		2	.Screw	
5	4700381385		1	.Cover	
7	4700500021		1	.Screw	M8-1,25x25 8.8
8	4700160110		1	.O-ring	
9	4700904229		1	.Washer	8,4x16x1,5
10	4700377333		4	.Bushing	
		A	1		
		A	1		

- A) Connection parts, see section Main assy, engine plate and lower part
- B) Partnumber for complete tank: 4700376677

Handle

Item	Part No	Rem Qty	Description	Code
10			Handle (Page 58)	
20			Option, handle mounted throttle control (Page 60)	

Handle
18372-2

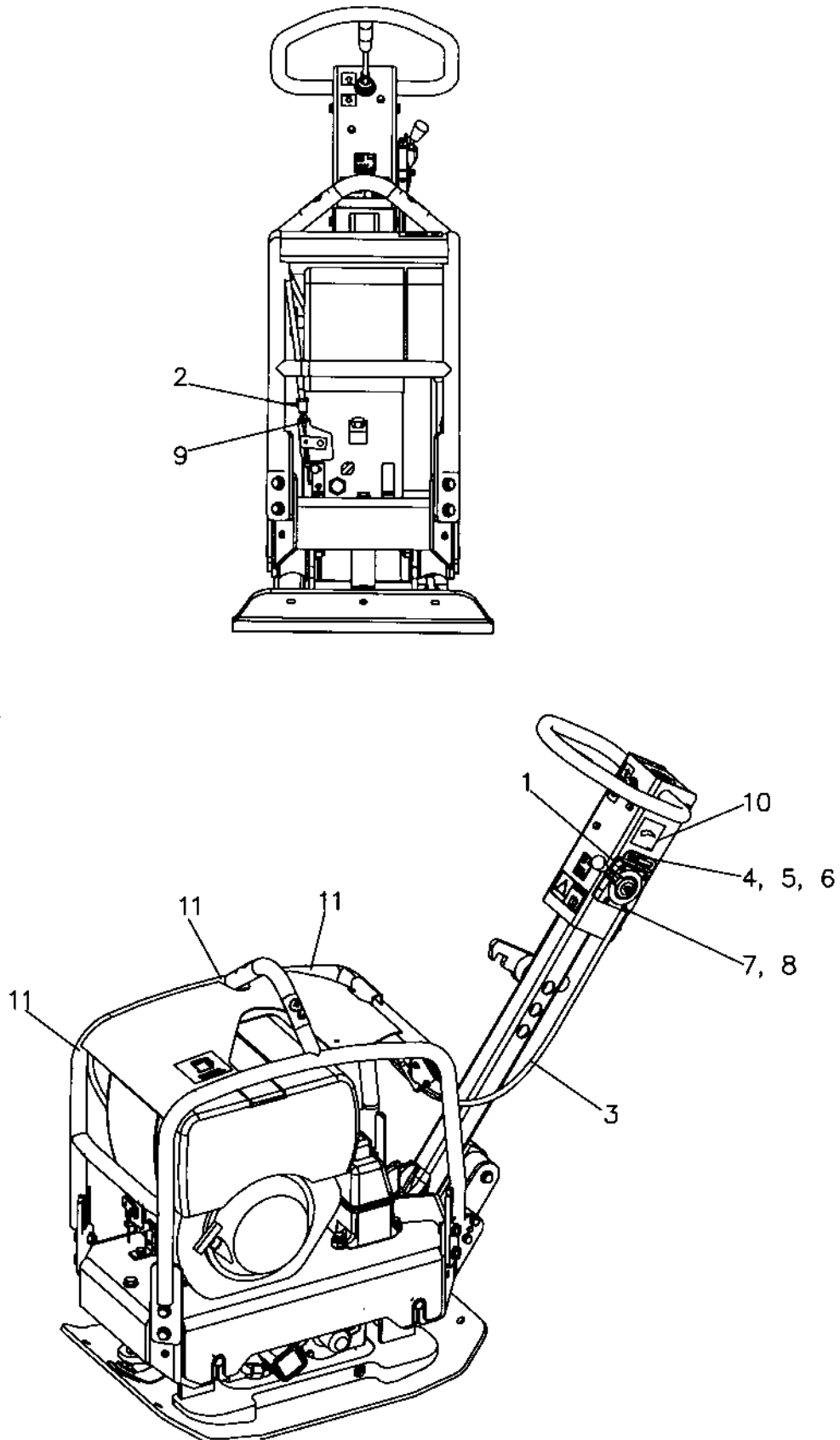


Handle

Item	Part No	Rem Qty	Description	Code
1	D390041-02	1	Handle	
2	4700282993	1	Valve	
	4700937924	1	.Lever housing	
3	4700792377	4	Shock absorber	
4	4700390450	1	Rod	
5	4700903821	1	Grab handle	
6	4700390448	2	Bracket	
7	4700904230	8	Washer	
8	4700500048	4	Screw	M10-1,5x20 8,8
9	4700904228	2	Washer	6,4x12x1,5
10	4700500016	2	Screw	M6x55 8.8 A2K
11	4700792378	2	Shock absorber	
12	4700391558	2	Spacer	
13	4700586018	2	Lock nut	
14	4700508045	2	Screw	M10-1,5x40H 12,9
15	4700904229	2	Washer	8,4x16x1,5
16	4700570005	3	Nut	M8
17	4700792379	2	Plastic washer	
18	4700792380	2	Plastic bushing	
19	4700791397	3	Elbow 90, O-ring	
20	4700390431	1	Hydraulic hose	
21	4700483900	1	Hydraulic hose	
22	4700483906	1	Hydraulic hose	
23	4700902285	2	Lock nut	M6
24	4700904563	1	Lock nut	M6
25	4700500079	1	Screw	M6-1x50 8,8
26	4700926215	2	Protective plug	

Option, handle mounted throttle control

18765



Option, handle mounted throttle control

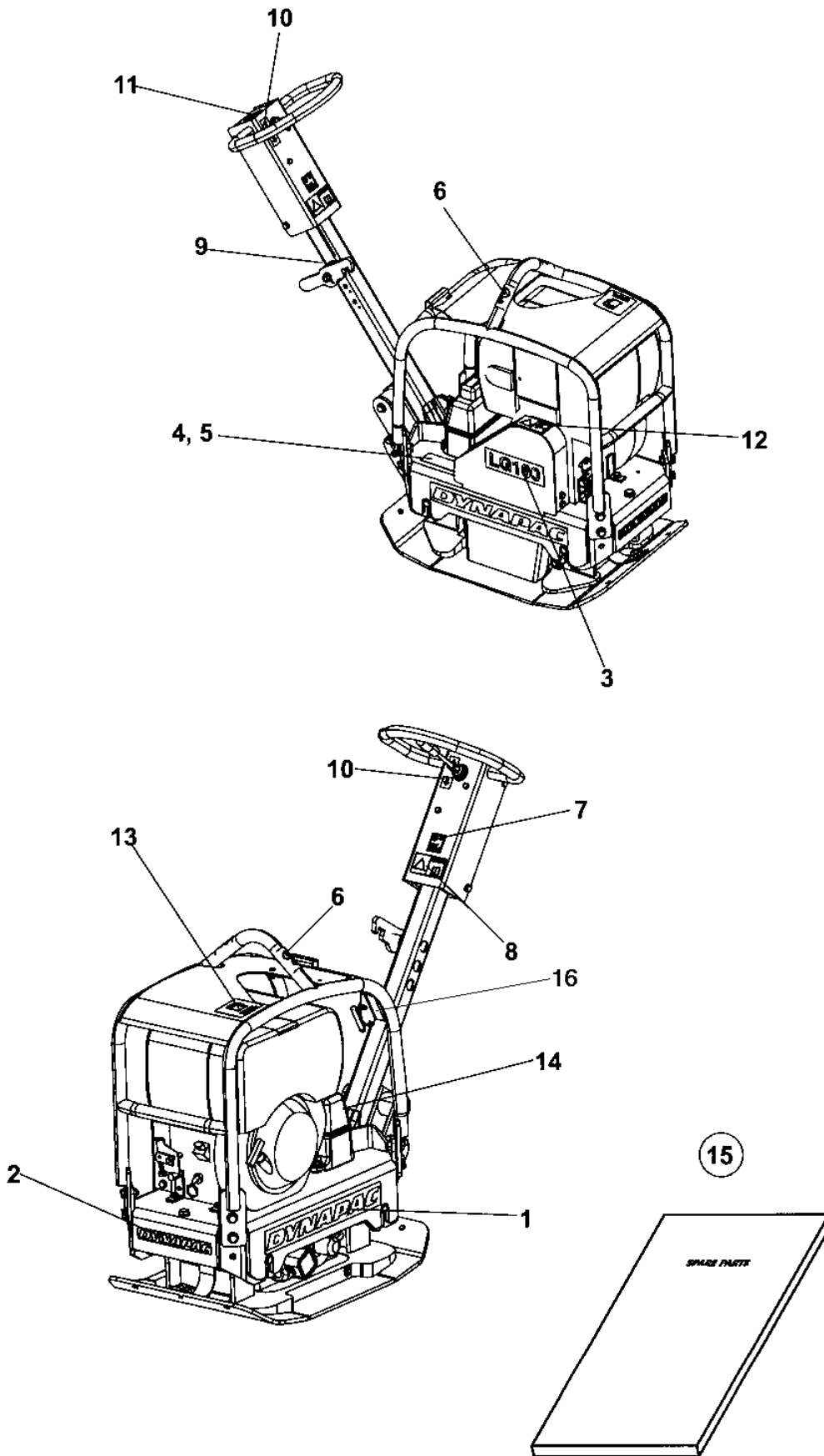
Item	Part No	Rem Qty	Description	Code
1	4700284365	1	Bracket	
2	4700284107	1	Nipple	
3	4700379300	1	Throttle control, cpl	
	4700455019	1	.Throttle handle	
	4700945655	1	..Knob	
	4700238443	1	..Square nipple	
	4700379299	1	.Throttle cable	
4	4700394417	1	Spacer	
5	4700508025	1	Screw	M6x20
6	4700902285	1	Lock nut	M6
7	4700904747	4	Screw	M5X30
8	4700902284	4	Nut	M5
9	4700570004	2	Nut	M6X1,00 -8 A2K
10	4700284285	1	Decal	
11	4700313041	3	Cable ties	
		1		

Decals and documentation

Item	Part No	Rem Qty	Description	Code
10			Decals and documentation (Page 64)	

Decals and documentation

18403-1



Decals and documentation

Item	Part No	Rem	Qty	Description	Code
1	4700379424		2	Decal "DYNAPAC"	
2	4700390687		1	Decal	
3	4700390702		1	Decal "MODEL CODE"	
4			1	Product identification plate	
5	4700527002		4	Drive screw	
6	4700281269		2	Decal "LIFT"	
7	4700791296		1	Decal "Sound power level"	
8	4700904680		1	Decal "Read instruction manual"	
9	4700908229		1	Safety decal	
10	4700284278		1	Decal	
11	4700281898		1	Decal "Ear protection"	
12	4700903832		1	Safety decal	
13	4700991658		1	Decal "FUEL"	
14	4700272373		1	Decal "HYDRAULIC OIL"	
15			1	Documentation	
			1	.Spare parts catalogue	SLG160
			1	.Instruction book, Honda	
			1	.Instruction book, Hatz	
			1	.Operation and maintenance	ILG160
			1	.Warranty conditions	
			1	.Warranty registration certificate	
			1	.CE declaration	
16	4700385877	A	1	Decal "THROTTLE CONTROL"	
	4700385878	B	1	Decal	

- A) Only for Hatz version
- B) Only for Honda version

NUMERICAL INDEX

Part Number	Page	Part Number	Page	Part Number	Page
4700111114	47	4700281269	65	4700392111	35
4700134036	45	4700281276	21	4700392386	7
4700150002	21	4700281345	33	4700392695	35,41
4700150017	19	4700281898	65	4700393838	9
4700151007	19	4700282993	59	4700394417	61
4700151017	47	4700283075	25,33	4700394422	35,43
4700151039	21	4700284107	61	4700394470	11
4700160110	55	4700284278	65	4700394933	15
4700162011	19	4700284285	61	4700394985	15
4700202028	9	4700284365	61	4700395057	19
4700232143	19	4700313001	35	4700455019	61
4700238301	37	4700313003	7	4700483900	59
4700238302	37	4700313041	61	4700483906	59
4700238303	37	4700313108	7	4700500013	35
4700238306	37	4700350029	9,19	4700500016	59
4700238322	37	4700376674	7	4700500019	7,25,33
4700238443	61	4700377333	55	4700500021	25,27,29,33,55
4700239059	37	4700377359	21	4700500022	9,33
4700239060	37	4700378033	45	4700500023	37
4700239062	37	4700378777	19	4700500028	7,9
4700239063	37	4700379016	19	4700500029	7
4700239065	37	4700379165	19	4700500031	25,33
4700239067	37	4700379166	19	4700500035	25,33
4700239290	41,43	4700379167	19	4700500037	25,33
4700239321	37	4700379168	19	4700500040	19
4700239323	37	4700379299	61	4700500048	7,59
4700239324	37	4700379300	61	4700500051	15
4700239325	37	4700379424	65	4700500053	9,35
4700239374	37	4700379488	19	4700500079	59
4700239375	37	4700379581	9	4700508012	7
4700239376	37	4700379592	7	4700508023	33
4700239377	37	4700380155	19	4700508025	19,61
4700239378	37	4700381385	55	4700508028	9
4700239379	37	4700381563	55	4700508045	59
4700239380	37	4700381566	55	4700527002	65
4700239381	37	4700381954	13	4700570004	61
4700239391	37	4700382496	25,33	4700570005	15,59
4700239517	29	4700383031	37	4700570006	25,33
4700239539	45	4700383562	53	4700570007	9
4700239664	37	4700383598	15	4700573002	37
4700239734	41,43,45	4700385387	25,33	4700586001	7
4700239768	41,43,45	4700385877	65	4700586018	59
4700239857	45	4700385878	65	4700586019	25,33
4700271032	15	4700390091	19	4700630015	15
4700272373	65	4700390236	9	4700747541	9
4700280417	15	4700390415	47	4700791296	65
4700280540	9	4700390416	25,33	4700791397	59
4700280632	19	4700390429	25	4700791524	7
4700280633	19	4700390431	59	4700791614	15
4700280637	21	4700390433	9	4700792253	53
4700280644	19	4700390446	9	4700792254	19
4700280645	19	4700390448	59	4700792272	19,53
4700280647	21	4700390449	7	4700792273	7
4700280648	19	4700390450	59	4700792281	33
4700280654	9	4700390515	7	4700792377	59
4700280677	19	4700390687	65	4700792378	59
4700280836	47	4700390702	65	4700792379	59
4700280892	13	4700391058	29	4700792380	59
4700281125	37	4700391210	11	4700792723	19
4700281128	37	4700391558	59	4700792724	19
4700281234	33	4700391801	7	4700901233	31,37
4700281249	25	4700391895	9	4700902284	33,61

NUMERICAL INDEX

Part Number	Page	Part Number	Page	Part Number	Page
4700902285	59,61	4700937004	29		
4700902287	11,13	4700937005	29		
4700903363	19	4700937006	29		
4700903821	59	4700937007	29		
4700903832	65	4700937008	29		
4700903903	35	4700937009	29		
4700904228	7,19,59	4700937010	29		
4700904229	7,25,33,55,59	4700937011	29		
4700904230	7,25,33,59	4700937012	29		
4700904231	9,19,25,33	4700937013	29		
4700904341	11,13	4700937014	29		
4700904504	7	4700937015	29		
4700904556	9,33	4700937016	29		
4700904557	7,25,33	4700937017	29		
4700904563	7,59	4700937018	29		
4700904640	15	4700937019	29		
4700904680	65	4700937020	29		
4700904703	9	4700937021	29		
4700904734	27,35	4700937022	29		
4700904747	61	4700937023	29		
4700904960	55	4700937024	29		
4700908229	65	4700937029	45		
4700921065	7	4700937031	45		
4700924543	15,25,33	4700937034	41,43		
4700924842	37	4700937035	41,43		
4700924996	7	4700937036	41,43		
4700926215	59	4700937415	29		
4700928241	19	4700937527	45		
4700928794	19	4700937604	29		
4700928894	53	4700937605	29		
4700929286	21	4700937606	29		
4700929287	19	4700937607	29		
4700929291	21	4700937608	29		
4700929449	9	4700937904	31		
4700936974	29	4700937924	59		
4700936976	29	4700938701	41,43		
4700936977	29	4700938724	45		
4700936978	29	4700938725	45		
4700936979	29	4700938726	45		
4700936980	29	4700945612	45		
4700936981	29	4700945613	41		
4700936982	29	4700945616	41,43		
4700936983	29	4700945655	61		
4700936985	29	4700950351	43		
4700936986	29	4700991658	65		
4700936987	29	D100504609	35		
4700936988	29	D100504811	35		
4700936989	29	D100505036	25,33		
4700936990	29	D100901032	45		
4700936991	29	D100901382	35		
4700936992	29	D379459-01	7		
4700936993	29	D390041-02	59		
4700936994	29	D390096-02	25		
4700936995	29	D390097-02	33		
4700936996	29				
4700936997	29				
4700936998	29				
4700936999	29				
4700937000	29				
4700937001	29				
4700937002	29				
4700937003	29				